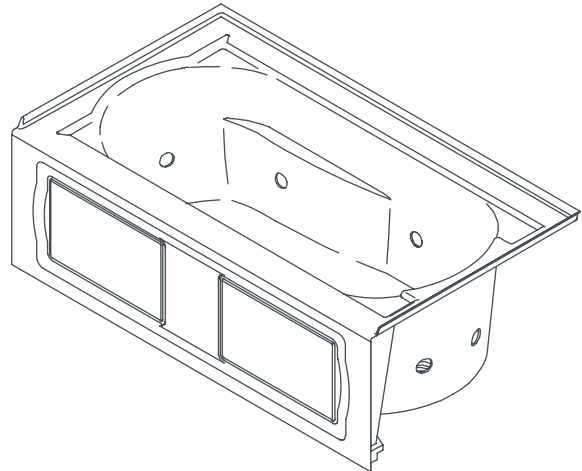


DEVONSHIRE™

Features

- Integral apron with removable access panel
- Acrylic
- 8 Kohler jets, color matched
- 1-1/4 hp pump with air switch and grounding-type plug-in cord
- Integral lumbar support and armrests to cradle the body
- Left or right drain
- Integral tile flange
- In-line heater
- 60" (152.4 cm) x 32" (81.3 cm) x 20" (50.8 cm)

BATH WHIRLPOOL WITH HEATER K-1357-HL/HR



Codes/Standards Applicable

Specified model meets or exceeds the following:

- ANSI Z124.1
- ASME A112.19.7
- IAPMO/UPC
- Underwriter's Laboratories (UL)
- Listed in State of Massachusetts

Colors/Finishes

- 0: White
- Other: Refer to Price Book for additional colors/finishes

Accessories:

- CP: Polished Chrome
- PB: Polished Brass
- Other: Refer to Price Book for additional colors/finishes

Specified Model

Model	Description	Colors/Finishes		
K-1357-HL	Bath whirlpool with heater, left drain, and integral apron	<input type="checkbox"/> 0 White	<input type="checkbox"/> Other _____	
K-1357-HR	Bath whirlpool with heater, right drain, and integral apron	<input type="checkbox"/> 0 White	<input type="checkbox"/> Other _____	
Recommended Accessories				
K-7161-AF	Drain	<input type="checkbox"/> CP	<input type="checkbox"/> PB	<input type="checkbox"/> Other _____

Product Specification:

The bath whirlpool shall be 60" (152.4 cm) in length, 32" (81.3 cm) in width, and 20" (50.8 cm) in height. Bath whirlpool shall be made of acrylic. Bath whirlpool shall have 8 color-matched Kohler jets, 1-1/4 hp pump, and air switch actuator. Bath whirlpool shall have a 1.5 kW in-line heater and shall be UL listed. Bath whirlpool shall be supplied with a plug-in cord. Bath whirlpool shall be Kohler Model K-1357-____-____.

DEVONSHIRE™

Technical Information

Fixture:*	basin area	top area	weight
Bathing well	42" (106.7 cm) x 20" (50.8 cm)	51" (129.5 cm) x 24" (61 cm)	160 lbs. (72.6 kg)
To overflow	14" (35.6 cm)	60 gal. (227.1 L)	

* Approximate measurements for comparison only.

Pump:	Hp	Voltage	Frequency	Amperage
1-speed	1-1/4 hp	120 V	60 Hz	7 A
Heater:	kW	Voltage	Frequency	Amperage
	1.5 kW	120 V	60 Hz	12.5 A

Required Electrical Service

Two dedicated circuits required, each protected with Class A Ground-Fault Circuit-Interrupter (GFCI):

Pump/control 120 V, 15A, 60 Hz

Heater 120 V, 15A, 60 Hz

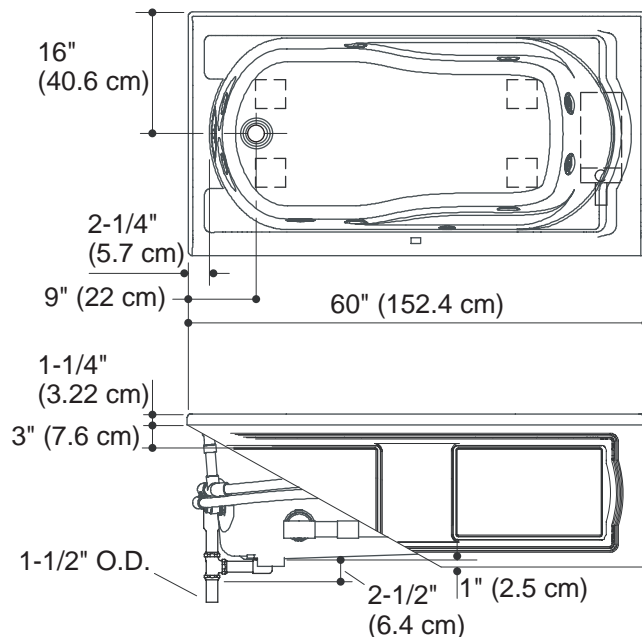
Locate the outlets behind the whirlpool and within 24" (61 cm) of the pump and heater.

Installation Notes

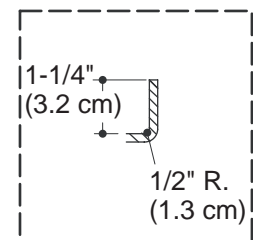
Install this product according to the installation guide.

Floor support under whirlpool must provide for a minimum of 80 lbs./square foot (390 kg/square meter) loading.

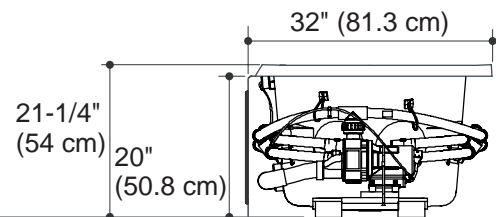
K-1357-HL



No change in measurements if connected with drain illustrated. (K-7161-AF or K-7161M-AF)



Integral Flange Detail



Product Diagram