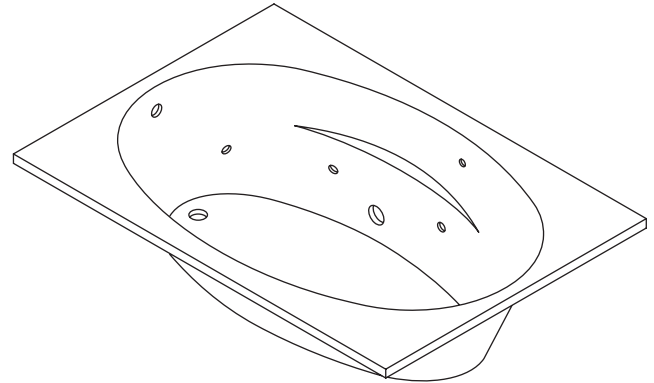


ACRYLIC BATH WHIRLPOOL K-1126 ALSO K-1126-L/R

Features

- Acrylic
- Drop-in or three-wall alcove
- 1.25 hp pump with air switch and grounding-type plug-in cord
- 6 individually adjustable ProFlex® hydro-massage jets
- Molded lumbar supports and armrests
- Optional K-1717 timer kit
- Optional K-9696 whirlpool trim kit in various finishes
- Optional K-1284 separate apron
- 60" (152.4 cm) x 42" (106.7 cm) x 18-1/8" (46 cm)



Codes/Standards Applicable

Specified model meets or exceeds the following:

- ASME A112.19.7M
- ANSI Z124.1.2
- IAPMO/UPC
- Underwriters Laboratories (UL)

Colors/Finishes

- 0: White
- Other: Refer to Price Book for additional colors/finishes

Accessories:

- 0: White
- CP: Polished Chrome
- PB: Polished Brass
- NA: None applicable
- Other: Refer to Price Book for additional colors/finishes

Specified Model

Model	Description	Colors/Finishes	
K-1126	Bath whirlpool, drop-in (shown)	<input type="checkbox"/> 0	<input type="checkbox"/> Other_____
K-1126-L	Bath whirlpool, left drain hole, tile flange	<input type="checkbox"/> 0	<input type="checkbox"/> Other_____
K-1126-R	Bath whirlpool, right drain hole, tile flange	<input type="checkbox"/> 0	<input type="checkbox"/> Other_____
Recommended Accessories			
K-11677	Drain	<input type="checkbox"/> CP	<input type="checkbox"/> PB

Optional Accessories table is on page 2.

Product Specification

The acrylic bath whirlpool shall be 60" (152.4 cm) in length, 42" (106.7 cm) in width, and 18-1/8" (46 cm) in height. The bath whirlpool shall be drop-in or 3-wall alcove installation. The bath whirlpool shall have 6 individually adjustable ProFlex® hydro-massage jets, a 1.25 hp pump with air switch and grounding-type plug-in cord. The bath whirlpool shall have molded lumbar supports and armrests. The bath whirlpool shall have an optional K-1284 separate apron, an optional K-1717 20-minute timer kit, and an optional K-9696 jet trim kit. The bath whirlpool shall be Kohler Model K-1126-_____-_____.

PROFLEX® 6042

Optional Accessories

K-1284	Separate apron with removable panel for front access	<input type="checkbox"/> 0	<input type="checkbox"/> Other_____
K-1717	20-minute timer kit	<input type="checkbox"/> NA	
K-9696	Jet trim kit (metal finishes)	<input type="checkbox"/> CP	<input type="checkbox"/> PB <input type="checkbox"/> Other_____

Technical Information

Fixture*:	
Basin area:	
Bathing well	46" (116.8 cm) x 21" (53.3 cm)
Top area	55" (139.7 cm) x 31" (78.7 cm)
To overflow:	
Water depth	14" (35.6 cm)
Capacity	57 gal (215.8 L)
Weight	67-1/2 lbs (30.6 kg)
Drop-in cut-out	58-1/4" (148 cm) x 40-1/2" (102.9 cm)
* Approximate measurements for comparison only.	

Pump:	Hp	V	Hz	A
1-speed	1.25	120	60	7.5

Required Electrical Service

Dedicated circuit required, protected with Class A Ground-Fault Circuit-Interrupter (GFCI):

Pump/control 120 V, 15 A, 60 Hz

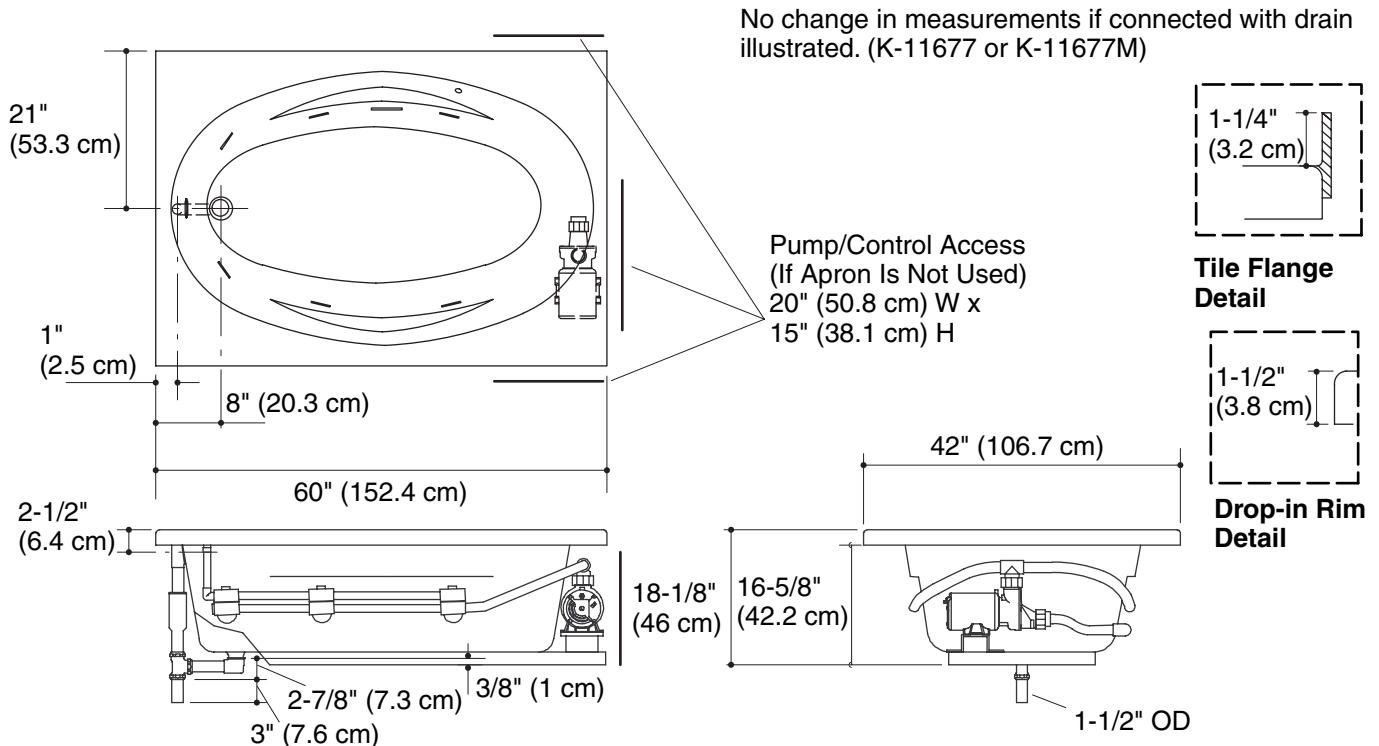
Locate the outlet behind the whirlpool and within 24" (61 cm) of the pump.

Installation Notes

Install this product according to the installation guide.

Floor support under whirlpool must provide for a minimum of 33 lbs/square foot (159 kg/square meter) loading.

The apron must be installed before the finished floor and wall materials are installed.



Product Diagram