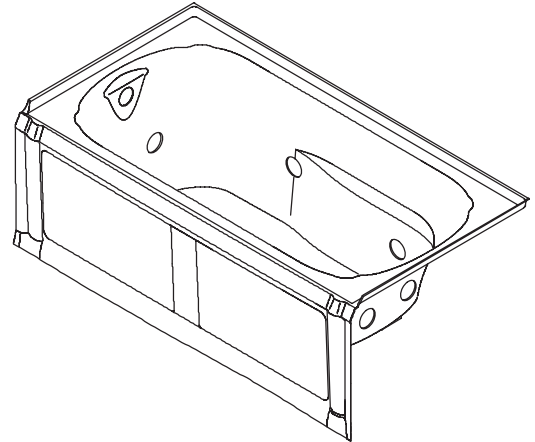


ACRYLIC BATH WHIRLPOOL WITH INTEGRAL APRON AND HEATER

FEATURES

- 60" (152.4cm) x 32" (81.3cm) x 20" (50.8cm)
- Acrylic
- Integral apron with removable panel for front access
- 8 Kohler jets, color matched
- 1.25 HP pump with air switch
- Integral lumbar support and armrests
- In-line heater
- Pump is supplied with a grounding-type plug-in cord
- Left or right drain
- Integral tile flange

K-1109-HL/-HR



CODES/STANDARDS APPLICABLE

Specified model meets or exceeds the following:

- ASME/ANSI A112.19.7M
- ANSI Z124.1
- IAPMO/UPC
- Underwriters Laboratories (UL)

COLORS/FINISHES

- 0 White
- Other Refer to Fixtures Price Book for additional colors

Accessories:

- CP Polished Chrome
- PB Polished Brass
- Other Refer to Price Book for additional finishes

SPECIFIED MODEL:

Model	Description	Colors/Finishes	
K-1109-HL	Whirlpool, left drain, integral apron (shown)	<input type="checkbox"/> 0 White	<input type="checkbox"/> Other _____
K-1109-HR	Whirlpool, right drain, integral apron	<input type="checkbox"/> 0 White	<input type="checkbox"/> Other _____

Recommended Accessories			
K-7161-AF	Drain	<input type="checkbox"/> CP	<input type="checkbox"/> PB <input type="checkbox"/> Other _____

PRODUCT SPECIFICATION:

The bath whirlpool shall be 60" (152.4cm) in length, 32" (81.3cm) in width, and 20" (50.8cm) in height. Bath whirlpool shall be made of acrylic. Bath whirlpool shall have integral apron with removable panel for front access. Bath whirlpool shall have 8 individually adjustable jets, 1.25 HP pump with air switch and cord with plug and in-line heater with cord and plug. Bath whirlpool shall be UL listed. Bath whirlpool shall be Kohler Model K-1109-_____-_____.

PORTRAIT™ 5'

PRODUCT INFORMATION

Fixture*:	basin area	top area	weight
Bathing well	42" (106.7cm) x 20" (50.8cm)	51" (129.5cm) x 24" (61cm)	135 lbs. (61.2kg)
	water depth	capacity	
To overflow	14" (35.6cm)	60 gal. (227.1L)	
* Approximate measurements for comparison only.			

Pump:	HP	V	Hz	A
1-speed	1.25	120	60	7
Heater:	kW	V	Hz	A
	1.5	120	60	12.5

REQUIRED ELECTRICAL SERVICE

Two dedicated circuits required, each protected with Class A Ground-Fault Circuit-Interrupter (GFCI):

Pump/control	120 V, 15 A, 60 Hz
Heater	120 V, 15 A, 60 Hz

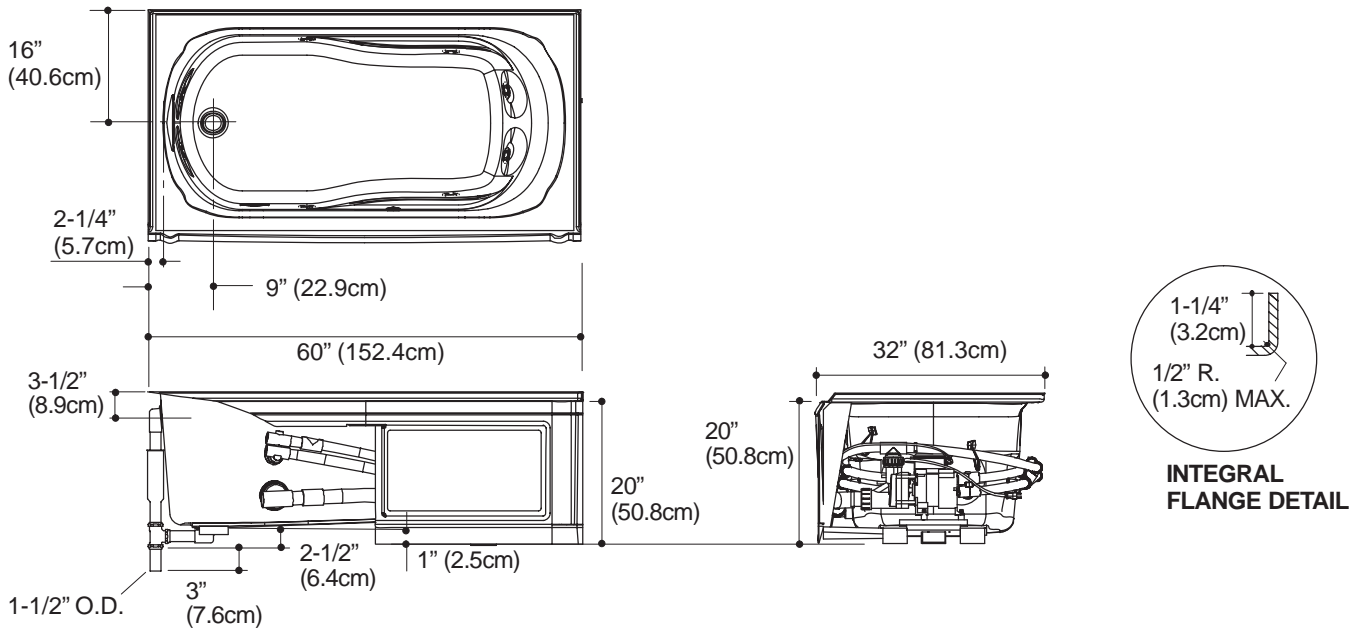
Locate the outlets behind the whirlpool and within 24" (61cm) of the pump and heater.

INSTALLATION NOTES

Install this product according to the installation guide.

Floor support under whirlpool must provide for a minimum of 80 lbs./square foot (390 Kg./square meter) loading.

No change in measurements if connected with drain illustrated. (K-7161-AF or K-7161M-AF)



PRODUCT DIAGRAM