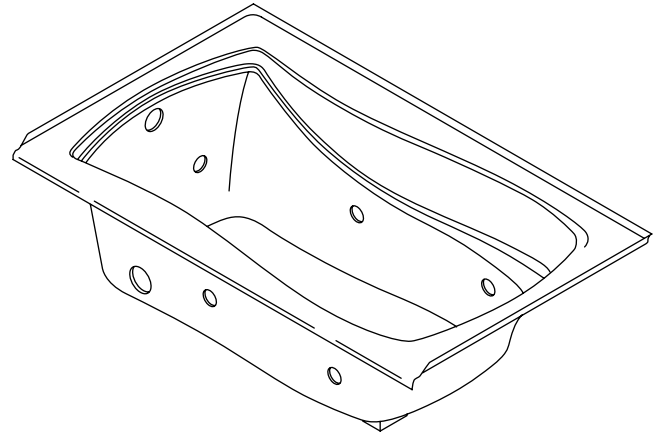


BATH WHIRLPOOL K-1239-H

ALSO K-1239-LH, K-1239-RH

Features

- Acrylic
- Drop-in or three-wall alcove
- 5 individually adjustable ProFlex® hydro-massage jets
- 1.25 hp pump with air switch and grounding-type plug-in cord
- In-line heater
- UL listed
- Optional K-9695 metal finish 5 jet trim kit
- Optional K-1717 timer kit
- Optional K-1278 removable apron
- 60" (152.4 cm) x 36" (91.4 cm) x 20" (50.8 cm)



Codes/Standards Applicable

Specified model meets or exceeds the following:

- ASME A112.19.7M
- ANSI Z124.1.2
- IAPMO/UPC
- Underwriters Laboratories (UL)
- State of Massachusetts

Colors/Finishes

- 0: White
- Other: Refer to Price Book for additional colors/finishes

Accessories

- CP: Polished Chrome
- PB: Vibrant® Polished Brass
- NA: None applicable

Specified Model

Model	Description	Colors/Finishes	
K-1239-H	Bath whirlpool with heater – drop-in	<input type="checkbox"/> 0	<input type="checkbox"/> Other _____
K-1239-LH	Bath whirlpool with heater, left drain – three-wall alcove (shown)	<input type="checkbox"/> 0	<input type="checkbox"/> Other _____
K-1239-RH	Bath whirlpool with heater, right drain – three-wall alcove	<input type="checkbox"/> 0	<input type="checkbox"/> Other _____

Recommended Accessories

K-7161-AF	Adjustable pop-up drain with tailpiece	<input type="checkbox"/> CP	<input type="checkbox"/> PB	<input type="checkbox"/> Other _____
-----------	--	-----------------------------	-----------------------------	--------------------------------------

Optional Accessories

K-1278	Removable apron	<input type="checkbox"/> 0			<input type="checkbox"/> Other _____
K-1717	20-minute timer kit			<input type="checkbox"/> NA	
K-9695	Metal finish 5 jet trim kit		<input type="checkbox"/> CP	<input type="checkbox"/> PB	<input type="checkbox"/> Other _____

Product Specification:

The acrylic bath whirlpool shall be 60" (152.4 cm) in length, 36" (91.4 cm) in width, and 20" (50.8 cm) in height. Product shall be for drop-in installation [K-1239-H] or three-wall alcove installation [K-1239-LH, K-1239-RH]. Product shall include 5 individual adjustable ProFlex hydro-massage jets, 1.25 hp pump with air switch and grounding-type plug-in cord, and in-line heater. Product shall be UL listed. Product shall be available with an optional K-1278 removable apron, optional K-9695 metal finish 5 jet trim kit, and optional K-1717 timer kit. Bath whirlpool shall be Kohler Model K-1239-_____-_____.

MARIPOSA®

Technical Information

Fixture*:	
Basin area:	
Bathing area, bottom	46" (116.8 cm) x 24" (61 cm)
Bathing area, top	54" (137.2 cm) x 27" (68.6 cm)
Weight	110 lbs (49.9 kg)
To overflow:	
Water depth	14" (35.6 cm)
Capacity	63 gal (238.5 L)
* Approximate measurements for comparison only.	

Drop-in cutout:	58" (147.3 cm) x 34" (86.4 cm)
-----------------	--------------------------------

Pump	Hp	V	Hz	A
1-speed	1.25	120	60	7.5
Heater:	Kw	V	Hz	Hz
	1.5	120	60	12.5
Required minimum access panel:	20" (50.8 cm) x 15" (38.1 cm)			

Required Electrical Service

Two dedicated circuit required, each protected with Class A Ground-Fault Circuit-Interrupter (GFCI):

Pump/control	120 V, 15 A, 60 Hz
--------------	--------------------

Heater	120 V, 15 A, 60 Hz
--------	--------------------

Locate the outlet behind the whirlpool and within 24" (61 cm) of the pump.

Installation Notes

Install this product according to the installation guide.

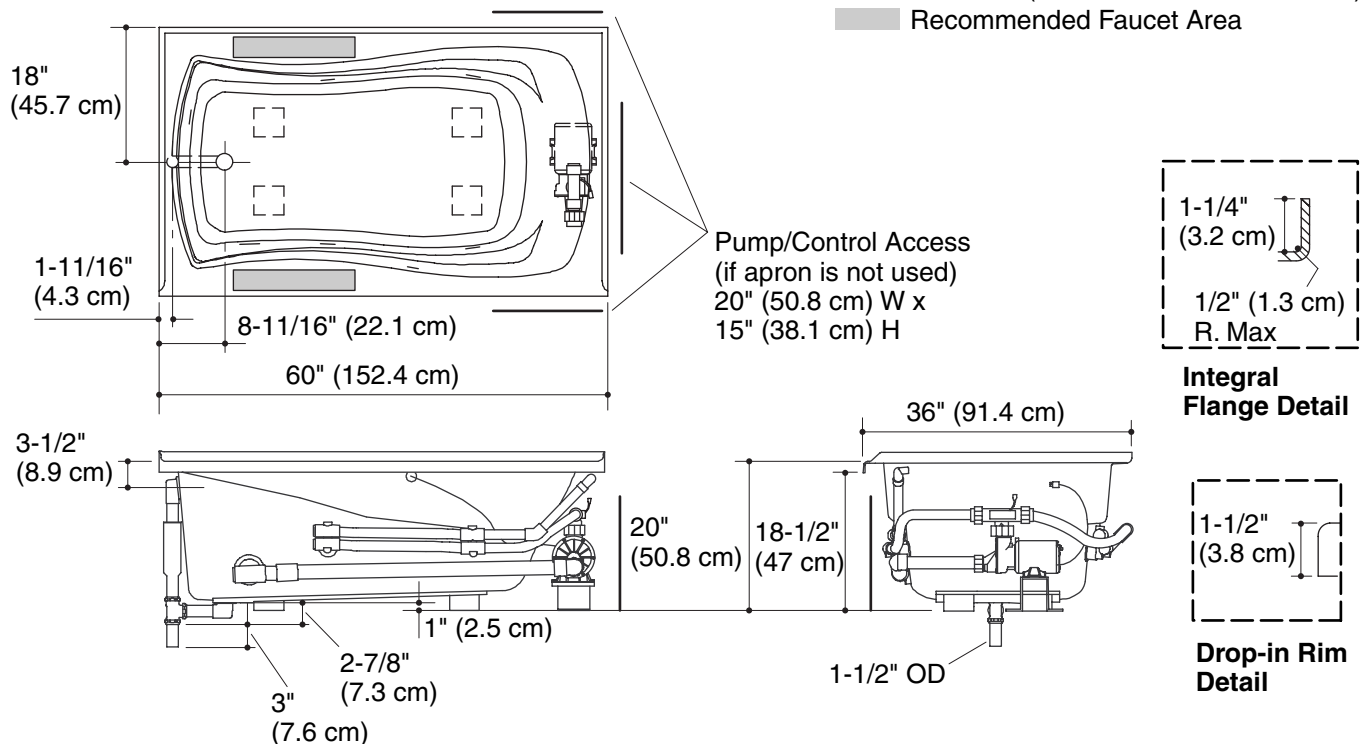
Floor support under whirlpool must provide for minimum of 44 lbs/square foot (215 kg/square meter) loading.

If installing a rim-mount faucet, make sure there is no interference with the drain overflow before drilling any holes. Consult local and national codes for minimum air gap requirements if installing a spout on the faucet deck.

The apron must be installed before the finished floor and wall materials are installed.

No change in measurements if connected with drain illustrated. (K-7161-AF or K-7161M-AF)

■ Recommended Faucet Area



Product Diagram