

HOURGLASS® 30

ACRYLIC CUSTOM BATH WHIRLPOOL K-1201-CB

ADA

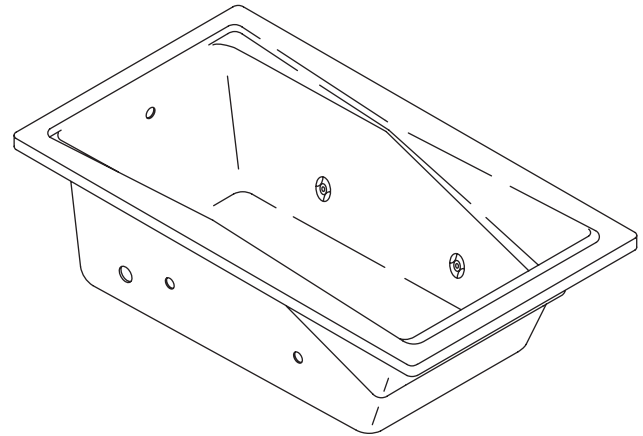
Features

- Acrylic
- Drop-in
- 1.25 hp pump with air switch and grounding-type plug-in cord
- Optional K-1717 timer kit
- Optional K-1279 separate apron
- Optional K-9694 whirlpool trim kit in various finishes
- 4 individually adjustable ProFlex® hydro-massage jets
- ADA compliant when installed with seat at head end
- 60" (152.4 cm) x 30" (76.2 cm) x 17" (43.2 cm)

Codes/Standards Applicable

Specified model meets or exceeds the following:

- ADA
- ASME A112.19.7M
- ANSI Z124.1.2
- IAPMO/UPC
- Underwriters Laboratories (UL)



Colors/Finishes

- 0: White
- Other: Refer to Price Book for additional colors/finishes

Accessories:

- 0: White
- CP: Polished Chrome
- PB: Polished Brass
- NA: None applicable
- Other: Refer to Price Book for additional colors/finishes

Specified Model

Model	Description	Colors/Finishes		
K-1201-CB	Bath whirlpool, drop-in, custom pump	<input type="checkbox"/> 0	<input type="checkbox"/> Other_____	
Recommended Accessories				
K-7161-AF	Drain	<input type="checkbox"/> CP	<input type="checkbox"/> PB	<input type="checkbox"/> Other_____

Optional Accessories table is on page 2.

Product Specification

The acrylic drop-in bath whirlpool shall be 60" (152.4 cm) in length, 30" (76.2 cm) in width, and 17" (43.2 cm) in height. The bath whirlpool shall have 4 individually adjustable ProFlex® hydro-massage jets along with a 1.25 hp pump with air switch and grounding-type plug-in cord. The bath whirlpool shall be ADA compliant when installed with the seat at head end. The bath whirlpool shall have an optional K-1279 separate apron, an optional K-9694 jet trim kit in various metal finishes, and an optional K-1717 timer kit. The bath whirlpool shall be Kohler Model K-1201-CB-_____.

HOURGLASS® 30

Optional Accessories

K-1279	Separate apron with removable panel for front access	<input type="checkbox"/>	0	<input type="checkbox"/>	Other_____	
K-1717	Timer kit	<input type="checkbox"/>	NA	<input type="checkbox"/>		
K-9694	Jet trim kit (metal finishes)	<input type="checkbox"/>		CP	PB	Other_____

Technical Information

Fixture*:	
Basin area:	
Bathing well	42" (106.7 cm) x 17" (43.2 cm)
Top area	55" (139.7 cm) x 25" (63.5 cm)
To overflow:	
Water depth	12-1/8" (30.8 cm)
Capacity	50 gal (189.3 L)
Weight	93 lbs (42.2 kg)
Drop-in cut-out	58-1/2" (148.6 cm) x 28-1/2" (72.4 cm)
* Approximate measurements for comparison only.	

Pump:	Hp	V	Hz	A
1-speed	1.25	120	60	7.5

Required Electrical Service

Dedicated circuit required, protected with Class A Ground-Fault Circuit-Interrupter (GFCI):

Pump/control 120 V, 15 A, 60 Hz

Locate the outlet behind the whirlpool and within 24" (61 cm) of the pump.

Installation Notes

Install this product according to the installation guide.

Floor support under whirlpool must provide for a minimum of 43 lbs/square foot (209 kg/square meter) loading.

The apron must be installed before the finished floor and wall materials are installed.

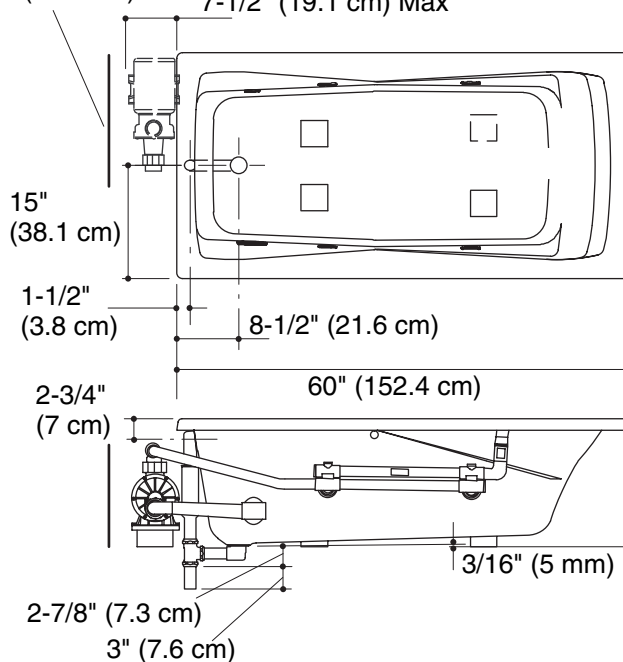
Pump must be relocated to custom position at the time of installation. Provide adequate clearance.

Pump/Control Access

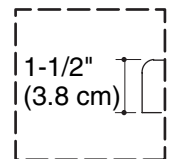
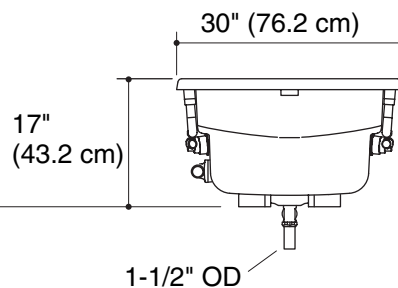
20" (50.8 cm) W x

15" (38.1 cm) H

7-1/2" (19.1 cm) Max



No change in measurements if connected with drain illustrated. (K-7161-AF or K-7161M-AF)



Drop-in Rim Detail

Product Diagram

HOURGLASS® 30 ACRYLIC CUSTOM BATH WHIRLPOOL

Page 2 of 2
1013702-4-B

THE BOLD LOOK
OF **KOHLER**®