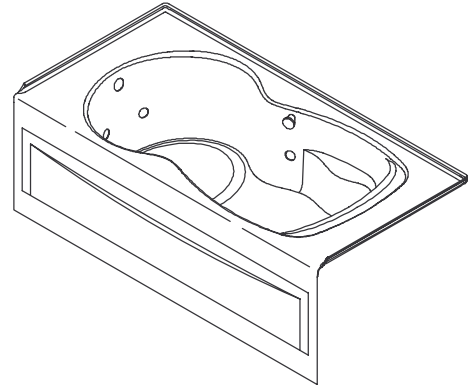


5' BATH WHIRLPOOL WITH INTEGRAL APRON

K-1192-LA/-RA, K-1196-LA/-RA



FEATURES

- 60" (152.4cm) x 42" (106.7cm) x 20" (50.8cm)
- Acrylic
- Integral apron with removable panel for front access
- 6 individually adjustable multi-directional hydro-massage jets
- 1-1/4 HP pump with air switch and cord with plug
- UL Listed
- With (K-1196-LA/-RA) or without (K-1192-LA/-RA) Softgrip grip handles
- Optional K-1491 removable pillow
- Optional K-1639 timer kit

CODES/STANDARDS APPLICABLE

Specified model meets or exceeds the following:

- ANSI Z124.1
- ASME/ANSI A112.19.7M
- IAPMO/UPC
- Underwriters Laboratories (UL)

COLORS/FINISHES

- 0 White
- Other Refer to Fixtures Price Book for additional colors

Accessories:

- CP Polished Chrome
- PB Polished Brass
- NA None Applicable
- Other Refer to Price Book for additional finishes

SPECIFIED MODEL:

Model	Description	Colors/Finishes	
K-1192-LA	Whirlpool less Softgrip grip handles, left drain hole, integral apron	<input type="checkbox"/> 0 White	<input type="checkbox"/> Other_____
K-1192-RA	Whirlpool less Softgrip grip handles, right drain hole, integral apron	<input type="checkbox"/> 0 White	<input type="checkbox"/> Other_____
K-1196-LA	Whirlpool with Softgrip grip handles, left drain hole, integral apron (shown)	<input type="checkbox"/> 0 White	<input type="checkbox"/> Other_____
K-1196-RA	Whirlpool with Softgrip grip handles, right drain hole, integral apron	<input type="checkbox"/> 0 White	<input type="checkbox"/> Other_____

Recommended Accessories			
K-7161-AF	Drain	<input type="checkbox"/> CP	<input type="checkbox"/> PB <input type="checkbox"/> Other_____

Optional Accessories			
K-9696	Jet trim kit (metal finishes)	<input type="checkbox"/> CP	<input type="checkbox"/> PB <input type="checkbox"/> Other_____
K-1491	Pillow	<input type="checkbox"/> 0 White	<input type="checkbox"/> Other_____
K-1639	Timer Kit		<input type="checkbox"/> NA

PRODUCT SPECIFICATION:
 The bath whirlpool shall be 60" (152.4cm) in length, 42" (106.7cm) in width, and 20" (50.8cm) in height. Bath whirlpool shall be made of acrylic. Bath whirlpool shall have integral apron with removable panel for front access. Bath whirlpool shall have 6 individually adjustable multi-directional hydro-massage jets, 1-1/4 HP pump with air switch and cord with plug. Bath whirlpool shall be UL Listed. Bath whirlpool shall be with (K-1196-LA/-RA) or without (K-1192-LA/-RA) Softgrip grip handles. Bath whirlpool shall have optional K-1491 removable pillow. Bath whirlpool shall have optional K-1639 timer kit. Bath whirlpool shall be Kohler Model K-_____-_____-_____.

SYNCHRONY™

PRODUCT INFORMATION

Fixture*:	basin area	top area	weight	
Bathing well	42" (106.7cm) x 25" (63.5cm)	52" (132.1cm) x 34" (86.4cm)	105 lbs. (47.6kg)	
	water depth	capacity		
To overflow	14" (35.6cm)	63 gal. (238.5L)		
* Approximate measurements for comparison only.				
Pump:	HP	V	Hz	A
1-speed	1-1/4	120	60	7.5

REQUIRED ELECTRICAL SERVICE

Dedicated circuit required, protected with Class A Ground-Fault Circuit-Interrupter (GFCI):	
Pump/control	120 V, 15 A, 60 Hz
Locate the outlet behind the whirlpool and within 24" (61cm) of the pump.	

INSTALLATION NOTES

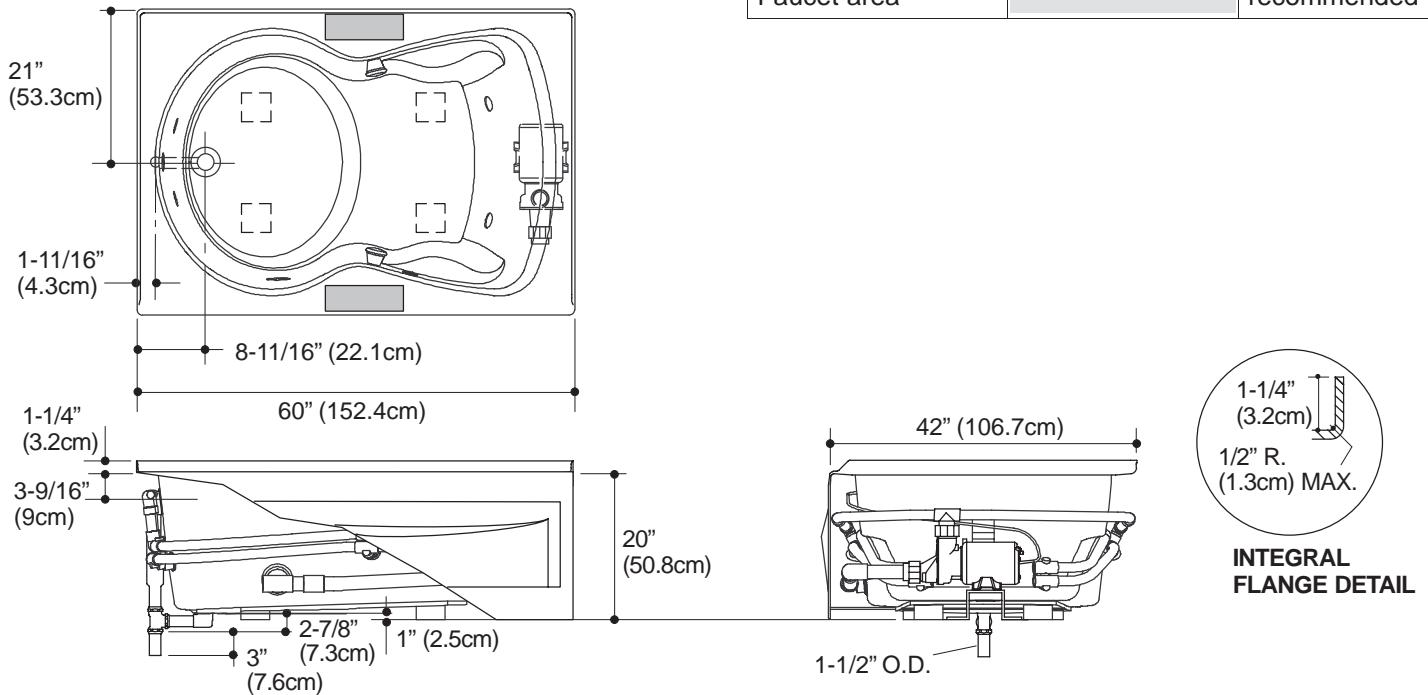
Install this product according to the installation guide.

Floor support under whirlpool must provide for a minimum of 80 lbs./square foot (390 Kg./square meter) loading.

If installing a rim-mount faucet, make sure there is no interference with drain overflow and circulating system before drilling any holes. Consult local and national codes for minimum air gap requirements if installing a spout on the faucet deck.

No change in measurements if connected with drain illustrated. (K-7161-AF or K-7161M-AF)

Faucet area		recommended
-------------	--	-------------



PRODUCT DIAGRAM