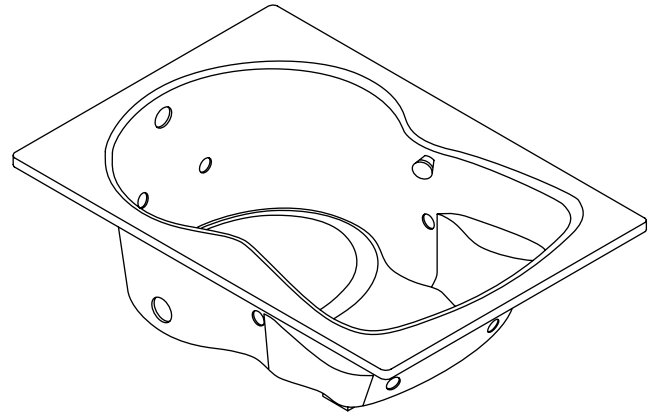


### 5' BATH WHIRLPOOL K-1192, K-1196

#### Features

- Acrylic
- 1.25 hp pump with air switch and grounding-type plug-in cord
- 6 individually adjustable multi-directional hydro-massage jets
- Optional K-1491 removable bath pillow
- Optional K-1278 front apron
- Optional K-1717 ProFlex® 20-minute timer kit
- Drop-in rim style and left or right drain hole with integral flange
- With (K-1196, -L/-R) or without (K-1192, -L/-R) softgrip grip handles
- 60" (152.4 cm) x 42" (106.7 cm) x 20" (50.8 cm)



#### Codes/Standards Applicable

Specified model meets or exceeds the following:

- ANSI Z124.1.2
- ASME A112.19.7M
- IAPMO/UPC
- Underwriters Laboratories (UL)

#### Colors/Finishes

- 0: White
- Other: Refer to Price Book for additional colors/finishes

#### Accessories

- CP: Polished Chrome
- PB: Vibrant® Polished Brass
- NA: None applicable
- Other: Refer to Price Book for additional colors/finishes

#### Specified Model

Model	Description	Colors/Finishes	
K-1192	Bath whirlpool less softgrip grip handles	<input type="checkbox"/> 0	<input type="checkbox"/> Other _____
K-1192-L	Bath whirlpool less softgrip grip handles, left drain hole, integral flange	<input type="checkbox"/> 0	<input type="checkbox"/> Other _____
K-1192-R	Bath whirlpool less softgrip grip handles, right drain hole, integral flange	<input type="checkbox"/> 0	<input type="checkbox"/> Other _____
K-1196	Bath whirlpool with softgrip grip handles	<input type="checkbox"/> 0	<input type="checkbox"/> Other _____
K-1196-L	Bath whirlpool with softgrip grip handles, left drain hole, integral flange	<input type="checkbox"/> 0	<input type="checkbox"/> Other _____
K-1196-R	Bath whirlpool with softgrip grip handles, right drain hole, integral flange	<input type="checkbox"/> 0	<input type="checkbox"/> Other _____

#### Recommended Accessories

K-7161-AF	Pop-up drain <b>OR</b>	<input type="checkbox"/> CP	<input type="checkbox"/> PB	<input type="checkbox"/> Other _____
K-7213	Cable drain with PVC tubing <b>OR</b>	<input type="checkbox"/> CP	<input type="checkbox"/> PB	<input type="checkbox"/> Other _____
K-7214	Cable drain without PVC tubing	<input type="checkbox"/> CP	<input type="checkbox"/> PB	<input type="checkbox"/> Other _____

#### Product Specification

The bath whirlpool shall be 60" (152.4 cm) in length, 42" (106.7 cm) in width, and 20" (50.8 cm) in height. Bath whirlpool shall be made of acrylic, drop-in rim style and left or right drain with integral flange. Bath whirlpool shall have 6 individually adjustable multi-directional hydro-massage jets, a 1.25 hp pump with air switch and grounding-type plug-in cord. Bath whirlpool shall be with (K-1196, -L/-R) or without (K-1192, -L/-R) softgrip grip handles. Bath whirlpool shall have an optional K-1278 front apron, an optional K-1491 removable pillow, an optional K-1717 20-minute timer kit, and an optional K-9696 jet trim kit. Bath whirlpool shall be Kohler Model K-\_\_\_\_\_ - \_\_\_\_\_.

# SYNCHRONY®

## Optional Accessories

K-1283	Separate apron with removable panel for front access	<input type="checkbox"/> 0	<input type="checkbox"/> Other_____
K-1491	Pillow	<input type="checkbox"/> 0	<input type="checkbox"/> Other_____
K-1717	20-minute timer kit		<input type="checkbox"/> NA
K-9696	Jet trim kit (metal finishes)	<input type="checkbox"/> CP	<input type="checkbox"/> PB <input type="checkbox"/> Other_____

## Technical Information

Fixture*:	
Basin area:	
Bathing well	42" (106.7 cm) x 25" (63.5 cm)
Top area	52" (132.1 cm) x 34" (86.4 cm)
To overflow:	
Water depth	14" (35.6 cm)
Capacity	63 gal (238.5 L)
Weight	105 lbs (47.6 kg)
Drop-in cut-out	58" (147.3 cm) x 40" (101.6 cm)
* Approximate measurements for comparison only.	

Pump:	Hp	V	Hz	A
1-speed	1.25	120	60	7.5

## Required Electrical Service

Dedicated circuit required, protected with Class A Ground-Fault Circuit-Interrupter (GFCI):

Pump/control 120 V, 15 A, 60 Hz

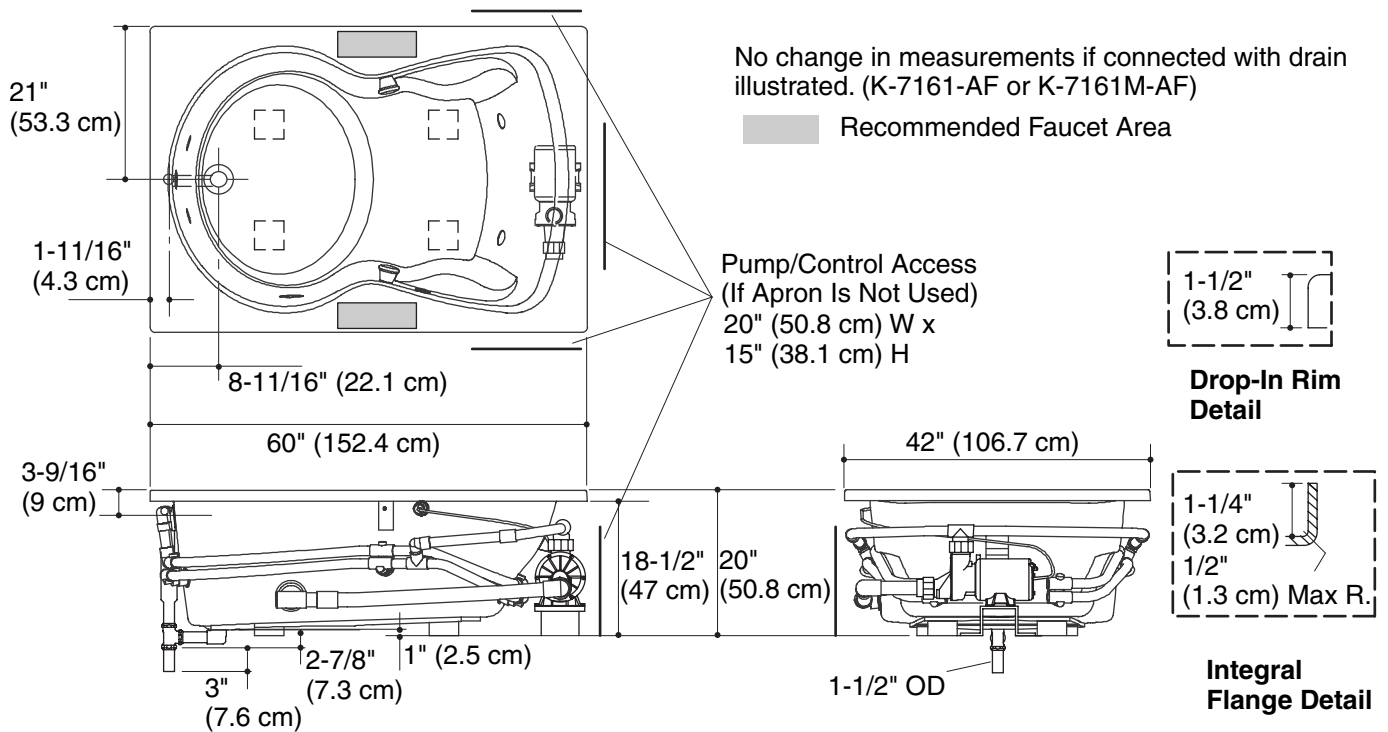
Locate the outlet behind the whirlpool and within 24" (61 cm) of the pump.

## Installation Notes

Install this product according to the installation guide.

Floor support under whirlpool must provide for a minimum of 38 lbs/square foot (183 kg/square meter) loading.

The apron must be installed before the finished floor and wall materials are installed.



## Product Diagram