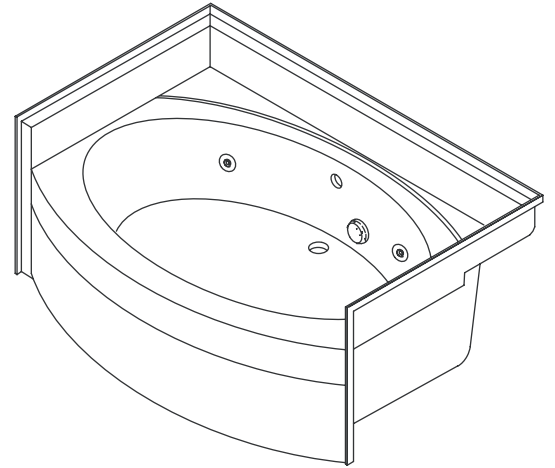


FRP BATH WHIRLPOOL K-1630 ALSO K-1630-CK

Features

- *Fiberglass (FRP)*
- *3-wall alcove*
- *5 individually adjustable ProFlex hydro-message jets*
- *1-1/4 HP pump with air switch and grounding-type plug-in cord*
- *Oval shape*
- *Stylish round apron front*
- *Molded-in floor pattern*
- *Center drain outlet*
- *Optional K-9695 whirlpool trim kit in various finishes*
- *Optional K-1639 timer kit*
- *59-3/4" (151.8 cm) x 42-1/2" (108 cm) x 17-1/2" (44.5 cm)*



Codes/Standards Applicable

Specified model meets or exceeds the following:

- *ASME A112.19.7*
- *ANSI Z124.1*
- *IAPMO/UPC*
- *Underwriter's Laboratories (UL)*
- *Listed in State of Massachusetts*

Colors/Finishes

- 0: White
- Other: Refer to Price Book for additional colors/finishes

Accessories:

- CP: Polished Chrome
- PB: Polished Brass
- Other: Refer to Price Book for additional colors/finishes
- NA: Not applicable

Specified Model

Model	Description	Colors/Finishes		
K-1630	Whirlpool, right-hand pump, integral tile flange (shown)	<input type="checkbox"/> 0 White	<input type="checkbox"/> Other_____	
K-1630-CK	Whirlpool, left-hand pump, integral tile flange	<input type="checkbox"/> 0 White	<input type="checkbox"/> Other_____	
Recommended Accessories				
K-7167-AF	Drain	<input type="checkbox"/> CP	<input type="checkbox"/> PB	<input type="checkbox"/> Other_____
Optional Accessories				
K-9695	Jet trim kit (metal finishes)	<input type="checkbox"/> CP	<input type="checkbox"/> PB	<input type="checkbox"/> Other_____
K-1639	Timer Kit	<input type="checkbox"/> NA		

Product Specification:

The bath whirlpool shall be 59-3/4" (151.8 cm) in length, 42-1/2" (108 cm) in width, and 17-1/2" (44.5 cm) in height. Bath whirlpool shall be made of fiberglass (FRP), with right-hand or left-hand pump. Bath whirlpool shall have 5 individually adjustable ProFlex hydro-massage jets, 1-1/4 HP pump with air switch and cord with plug. Bath whirlpool shall have spacious oval bathing well. Bath whirlpool shall have stylish round apron front, molded-in floor texture and center drain outlet. Bath whirlpool shall have optional K-9695 trim kit. Bath whirlpool shall have optional K-1639 timer kit. Bath whirlpool shall be Kohler Model K-1630-_____ -_____.

LAKEWOOD™

Technical Information

Fixture*:	basin area	top area	weight
Bathing well	43" (109.2 cm) x 28" (71.1 cm)	52" (132.1 cm) x 32" (81.3 cm)	115 lbs. (52.2 kg)
	water depth	capacity	
To overflow	13" (33 cm)	55 gal. (208.2 L)	

* Approximate measurements for comparison only.

Pump:	HP	Voltage	Frequency	Amperage
1-speed	1-1/4 HP	120 V	60 Hz	7.5 A

No change in measurements if connected with drain illustrated. (K-7161-AF or K-7161M-AF)		
Minimum access panel:		
Pump/control	20" (50.8 cm) W x 15" (38.1 cm) H	required

Required Electrical Service

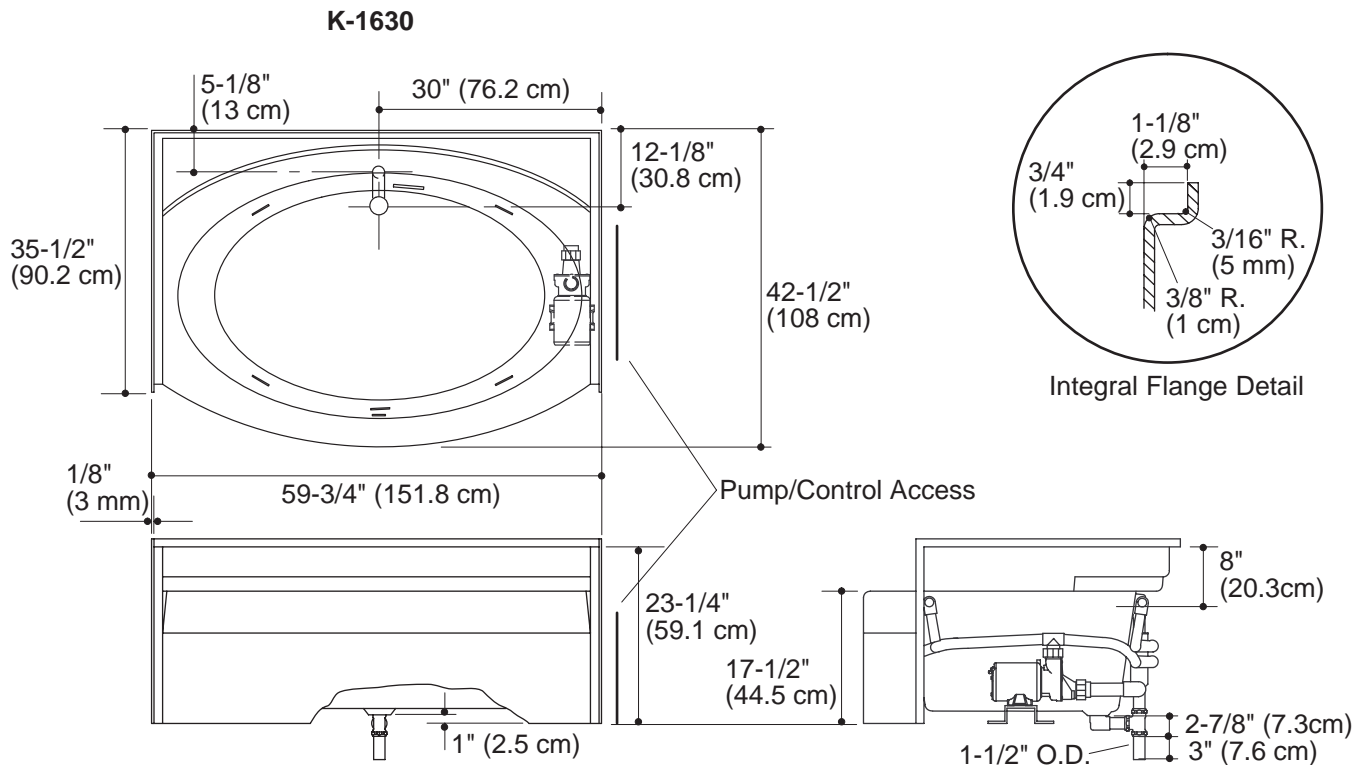
Dedicated circuit required, protected with Class A Ground-Fault Circuit-Interrupter (GFCI):	
Pump/control	120 V, 15A, 60 Hz
Locate the outlet behind the whirlpool and within 24" (61 cm) of the pump.	

Installation Notes

Install this product according to the installation guide.

Floor support under whirlpool must provide for a minimum of 80 lbs./square foot (390 Kg./square meter) loading.

If installing a rim-mount faucet, make sure there is no interference with drain overflow and circulating system before drilling any holes. Consult local and national codes for minimum air gap requirements if installing a spout on the faucet deck.



Product Diagram