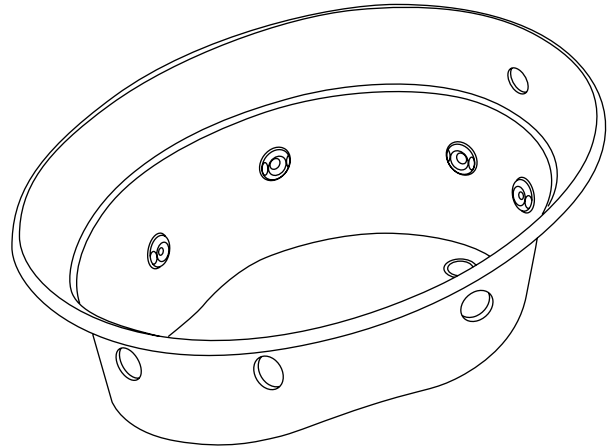


### Features

- Acrylic
- Oval shape
- Drop-in
- 1.25 hp pump with air switch and grounding-type plug-in cord
- In-line heater
- Optional K-1491 removable bath pillow
- Optional K-1717 timer kit
- Optional K-9698 whirlpool trim kit in various finishes
- 8 individually adjustable ProFlex® hydro-massage jets
- Textured bottom surface
- Coordinates with Serif suite
- 60" (152.4 cm) x 42-1/4" (107.3 cm) x 21" (53.3 cm)

### 5' BATH WHIRLPOOL WITH HEATER K-1337-H



### Codes/Standards Applicable

Specified model meets or exceeds the following:

- ANSI Z124.1.2
- ASME A112.19.7M
- IAPMO/UPC
- Underwriters Laboratories (UL)

### Colors/Finishes

- 0: White
- Other: Refer to Price Book for additional colors/finishes

### Accessories:

- 0: White
- CP: Polished Chrome
- PB: Polished Brass
- NA: None applicable
- Other: Refer to Price Book for additional colors/finishes

### Specified Model

Model	Description	Colors/Finishes		
K-1337-H	5' bath whirlpool	<input type="checkbox"/> 0	<input type="checkbox"/> Other_____	
<b>Recommended Accessories</b>				
K-7166-AF	Drain	<input type="checkbox"/> CP	<input type="checkbox"/> PB	<input type="checkbox"/> Other_____
<b>Optional Accessories</b>				
K-1491	Pillow	<input type="checkbox"/> 0	<input type="checkbox"/> Other_____	
K-1717	20-minute timer kit	<input type="checkbox"/> NA		
K-9698	Jet trim kit (metal finishes)	<input type="checkbox"/> CP	<input type="checkbox"/> PB	<input type="checkbox"/> Other_____

### Product Specification

The oval bath whirlpool shall be 60" (152.4 cm) in length, 42-1/4" (107.3 cm) in width, and 21" (53.3 cm) in height. The bath whirlpool shall be made of acrylic for drop-in installation. The bath whirlpool shall have 8 individually adjustable ProFlex® hydro-massage jets, a 1.25 hp pump with air switch and grounding-type plug-in cord, and an in-line heater. The bath whirlpool shall have a textured bottom surface and shall coordinate with the Serif suite. The bath whirlpool shall have an optional K-9698 jet trim kit, an optional K-1717 20-minute timer kit, and an optional K-1491 removable pillow. The bath whirlpool shall be Kohler Model K-1337-H-\_\_\_\_\_.

# SERIF®

## Technical Information

Fixture*:	
Basin area:	
Bathing well	42" (106.7 cm) x 28" (71.1 cm)
Top area	55" (139.7 cm) x 40" (101.6 cm)
To overflow:	
Water depth	15-1/2" (39.4 cm)
Capacity	73 gal (276.3 L)
Weight	115 lbs (52 kg)
* Approximate measurements for comparison only.	

Pump:	Hp	V	Hz	A
1-speed	1.25	120	60	7.5
Heater:	kW	V	Hz	A
	1.5	120	60	12.5

Included components:	
Cutout template	1017044-7

## Required Electrical Service

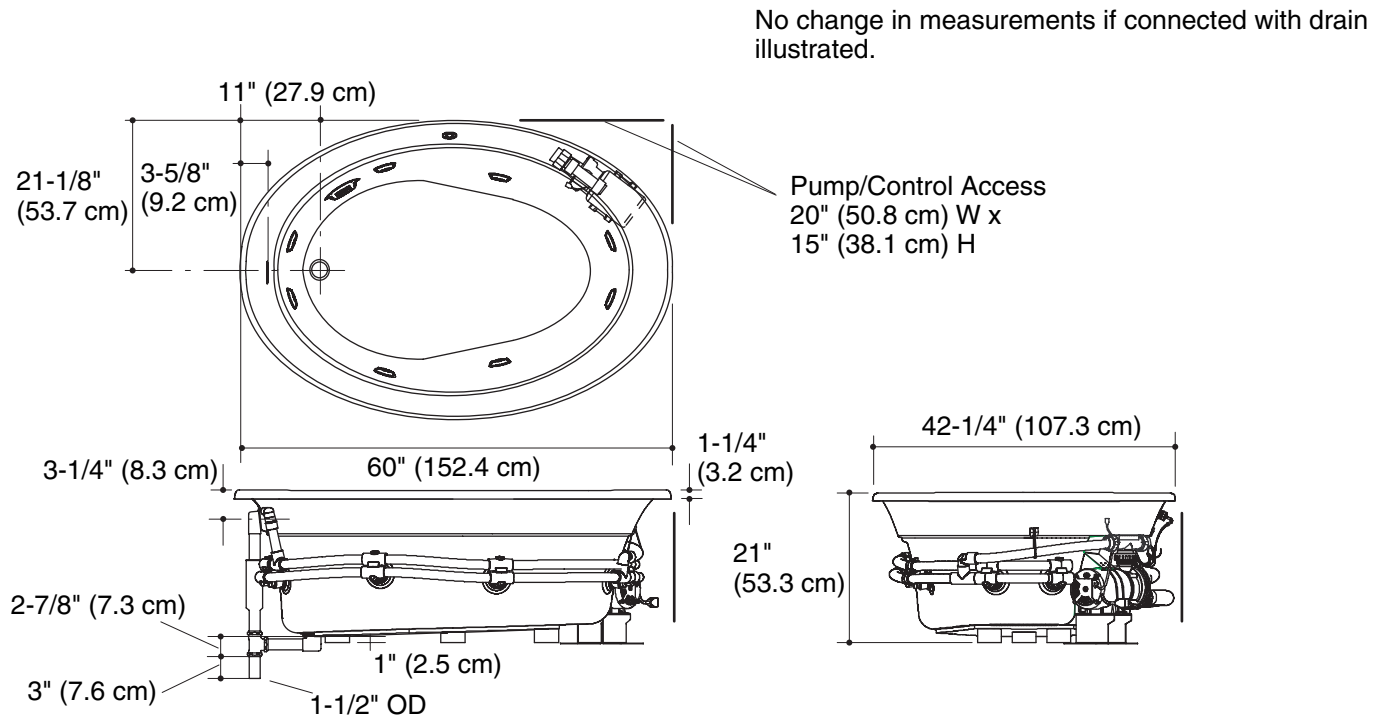
Two dedicated circuits required, each protected with Class A Ground-Fault Circuit-Interrupter (GFCI):	
Pump/control	120 V, 15 A, 60 Hz
Heater	120 V, 15 A, 60 Hz
Locate the outlets behind the whirlpool and within 24" (61 cm) of the pump.	

## Installation Notes

Install this product according to the installation guide.

Floor support under whirlpool must provide for a minimum of 43 lbs/square foot (208 kg/square meter) loading.

Provide pump/control access in either location shown; supplies must not interfere with pump/control access.



## Product Diagram