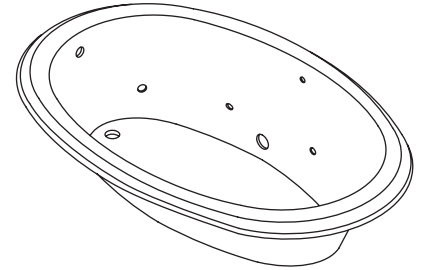


PROFLEX™ 6040 OVAL

Features

- Acrylic
- Oval shape
- Drop-in
- 6 individually adjustable ProFlex™ hydro-massage jets
- 1-1/4 HP pump with air switch and cord with plug
- In-line heater
- Molded lumbar supports and armrests
- UL listed
- Optional K-9696 whirlpool trim kit in various finishes
- Optional K-1639 timer kit
- 60" (152.4 cm) x 40" (101.6 cm) x 17-5/8" (44.8 cm)

ACRYLIC CUSTOM BATH WHIRLPOOL WITH HEATER K-1146-HK/-HN



Codes/Standards Applicable

Specified model meets or exceeds the following:

- ASME A112.19.7
- ANSI Z124.1
- IAPMO/UPC
- Underwriter's Laboratories (UL)
- Listed in State of Massachusetts

Colors/Finishes

- 0: White
- Other: Refer to Price Book for additional colors/finishes

Accessories:

- CP: Polished Chrome
- PB: Polished Brass
- Other: Refer to Price Book for additional colors/finishes
- NA: Not applicable

Specified Model

Model	Description	Colors/Finishes	
K-1146-HK	Whirlpool, custom pump (top view shown)	<input type="checkbox"/> 0 White	<input type="checkbox"/> Other_____
K-1146-HN	Whirlpool, drop-in, custom pump (shown)	<input type="checkbox"/> 0 White	<input type="checkbox"/> Other_____
Recommended Accessories			
K-11677	Drain	<input type="checkbox"/> CP	
Optional Accessories			
K-9696	Jet trim kit (metal finishes)	<input type="checkbox"/> CP	<input type="checkbox"/> PB <input type="checkbox"/> Other_____
K-1639	Timer Kit	NA	

Product Specification:

The oval shaped bath whirlpool shall be 60" (152.4 cm) in length, 40" (101.6 cm) in width, and 17-5/8" (44.8 cm) in height. Drop-in bath whirlpool shall be made of acrylic. Bath whirlpool shall have 6 individually adjustable ProFlex hydro-massage jets, 1-1/4 HP pump with air switch and cord with plug and in-line heater with cord and plug. Bath whirlpool shall have molded lumbar supports and armrests. Bath whirlpool shall be UL listed. Bath whirlpool shall have optional K-9696 trim kit. Bath whirlpool shall have optional K-1639 timer kit. Bath whirlpool shall be Kohler Model K-1146-_____-_____.

PROFLEX™ 6040 OVAL

Technical Information

Fixture:*	basin area	top area	weight
Bathing well	46" (116.8 cm) x 19" (48.3 cm)	55" (139.7 cm) x 29" (73.7 cm)	61 lbs. (27.7 kg)
	water depth	capacity	
To overflow	14" (35.6 cm)	54 gal. (204.4 L)	

* Approximate measurements for comparison only.

Pump:	HP	V	Hz	A
1-speed	1-1/4	120	60	7.5
Heater:	kw	V	Hz	A
	1.5	120	60	12.5

Included Components:	
Cut-out template	114859-7

Required Electrical Service

Dedicated circuit required, protected with Class A Ground-Fault Circuit-Interrupter (GFCI):	
Pump/control	120 V, 15 A, 60 Hz
Heater	120 V, 15 A, 60 Hz
Locate the outlet behind the whirlpool and within 24" (61 cm) of the pump.	

Installation Notes

Install this product according to the installation guide.

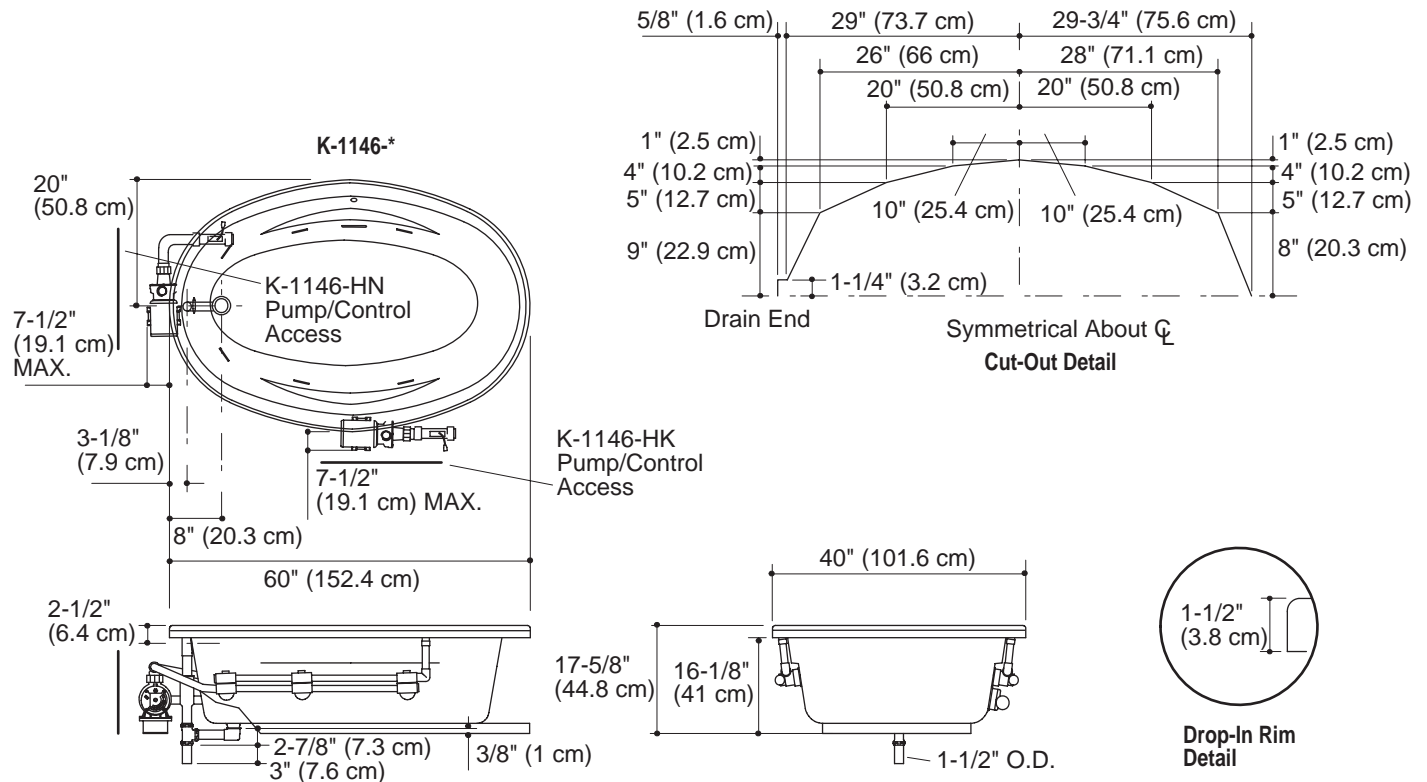
Floor support under whirlpool must provide for a minimum of 80 lbs./square foot (390 kg/square meter) loading.

The suction line extends 1" (2.5 cm) beyond the edge of the rim. The pump base extends 1-1/8" (2.9 cm) beyond the edge of the rim. Modify the framing as needed.

No change in measurements is required if the unit is connected with the K-11677 or K-11677M drain as illustrated.

Pump must be relocated to custom position at the time of installation. Provide adequate clearance.

A minimum access panel is required as illustrated. This should be 20" (50.8 cm) wide and 15" (38.1 cm) high. Locate the access panel at the pump location



Product Diagram