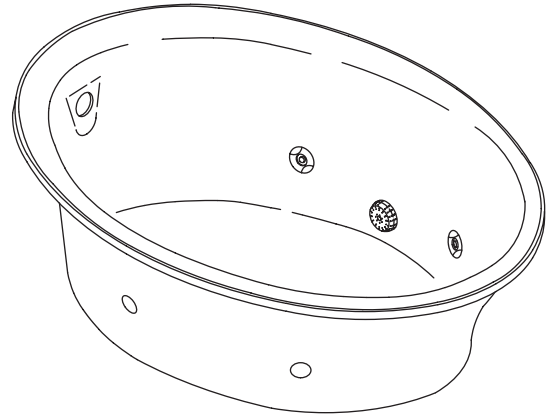


Features

- Acrylic
- 1.25 hp pump with air switch and grounding-type plug-in cord
- UL listed
- Drop-in
- 4 individually adjustable ProFlex® hydro-massage jets
- Optional K-9694 whirlpool trim kit in various finishes
- Optional K-1639 timer kit
- 60" (152.4 cm) x 42" (106.7 cm) x 21" (53.3 cm)

ACRYLIC CUSTOM BATH WHIRLPOOL K-1246-CD/-CF



Codes/Standards Applicable

Specified model meets or exceeds the following:

- ANSI Z124.1
- IAPMO/UPC
- Underwriter's Laboratories (UL)
- ASME A112.19.7M

Colors/Finishes

- 0: White
- Other: Refer to Price Book for additional colors/finishes

Accessories:

- CP: Polished Chrome
- PB: Polished Brass
- Other: Refer to Price Book for additional colors/finishes
- NA: None applicable

Specified Model

Model	Description	Colors/Finishes		
K-1246-CD	Drop-in bath whirlpool with custom pump location	<input type="checkbox"/> 0 White	<input type="checkbox"/> Other _____	
K-1246-CF	Drop-in bath whirlpool with custom pump location (shown)	<input type="checkbox"/> 0 White	<input type="checkbox"/> Other _____	
Recommended Accessory				
K-7161-AF	Drain	<input type="checkbox"/> CP	<input type="checkbox"/> PB	<input type="checkbox"/> Other _____
Optional Accessories				
K-9694	Jet trim kit (metal finishes)	<input type="checkbox"/> CP	<input type="checkbox"/> PB	<input type="checkbox"/> Other _____
K-1639	Timer kit	<input type="checkbox"/> NA		

Product Specification:

The oval bath whirlpool shall be 60" (152.4 cm) in length, 42" (106.7 cm) in width, and 21" (53.3 cm) in height. Drop-in bath whirlpool shall be made of acrylic. Bath whirlpool shall have 4 individually adjustable ProFlex® hydro-massage jets, 1.25 hp pump with air switch and cord with plug. Bath whirlpool shall be UL listed. Bath whirlpool shall have optional K-9694 trim kit. Bath whirlpool shall have optional K-1639 timer kit. Bath whirlpool shall be Kohler Model K-1246-_____-_____.

SEASIDE 5'

Technical Information

Fixture*:	basin area	top area	weight
Bathing well	44" (111.8 cm) x 31" (78.7 cm)	50" (127 cm) x 34" (86.4 cm)	110 lbs (49.9 kg)
To overflow	15" (38.1 cm)	69 gal (261 L)	

* Approximate measurements for comparison only.

Pump:	Hp	V	Hz	A
1-speed	1.25	120	60	7.5

Included Components:	
Cut-out template	113926-7

Required Electrical Service

Dedicated circuit required, protected with Class A Ground-Fault Circuit-Interrupter (GFCI):	
Pump/control	120 V, 15 A, 60 Hz
Locate the outlet behind the whirlpool and within 24" (61 cm) of the pump.	

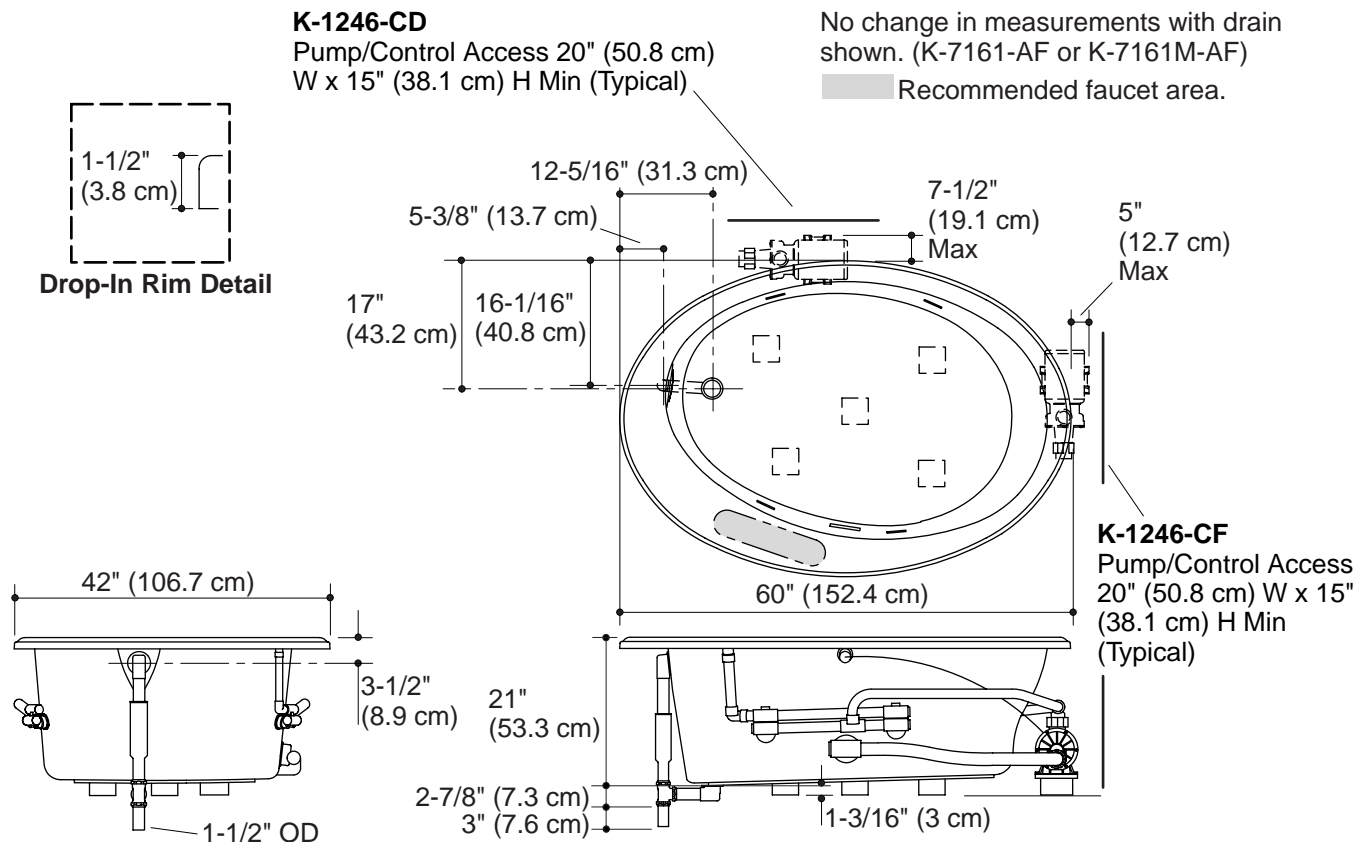
Installation Notes

Install this product according to the installation guide.

Floor support under whirlpool must provide for a minimum of 1200 lbs (544 kg) loading.

If installing a rim-mount faucet, make sure there is no interference with the drain overflow and circulating system before drilling any holes. Consult local and national codes for minimum air gap requirements if installing a spout on the faucet deck.

Pump must be relocated to custom location at the time of installation. Provide adequate clearance.



Product Diagram