

### Product Information

|   |  |     |    |     |
|---|--|-----|----|-----|
| Applicable product:                             |  |     |    |     |
| Bath whirlpool drop-in, custom pump             | K-1157-CN                              |     |    |     |
| Recommended accessories:                        |  |     |    |     |
| Cable drain with PVC tubing <b>OR</b>           | K-7213                                 |     |    |     |
| Cable drain without PVC tubing <b>OR</b>        | K-7214                                 |     |    |     |
| Trip lever drain                                | K-11677                                |     |    |     |
| Fixture*:                                       |  |     |    |     |
| Basin area:                                     |  |     |    |     |
| Bathing well                                    | 55" (139.7 cm) x 21" (53.3 cm)         |     |    |     |
| Top area  | 65" (165.1 cm) x 26" (66 cm)           |     |    |     |
| To overflow:                                    |  |     |    |     |
| Water depth                                     | 15" (38.1 cm)                          |     |    |     |
| Capacity  | 72 gal (272.5 L)                       |     |    |     |
| Weight  | 66 lbs (29.9 kg)                       |     |    |     |
| Drop-in cut-out                                 | 70-1/2" (179.1 cm) x 34-1/2" (87.6 cm) |     |    |     |
| * Approximate measurements for comparison only. |  |     |    |     |
| Pump:   | Hp                                     | V   | Hz | A   |
| 1-speed   | 1.25                                   | 120 | 60 | 7.5 |

### Required Electrical Service

|   |                    |
|---|--------------------|
| Dedicated circuit required, protected with Class A Ground-Fault Circuit-Interrupter (GFCI): |                    |
| Pump/control  | 120 V, 15 A, 60 Hz |
| Locate the outlet behind the whirlpool and within 24" (61 cm) of the pump.                  |                    |

### Installation Notes

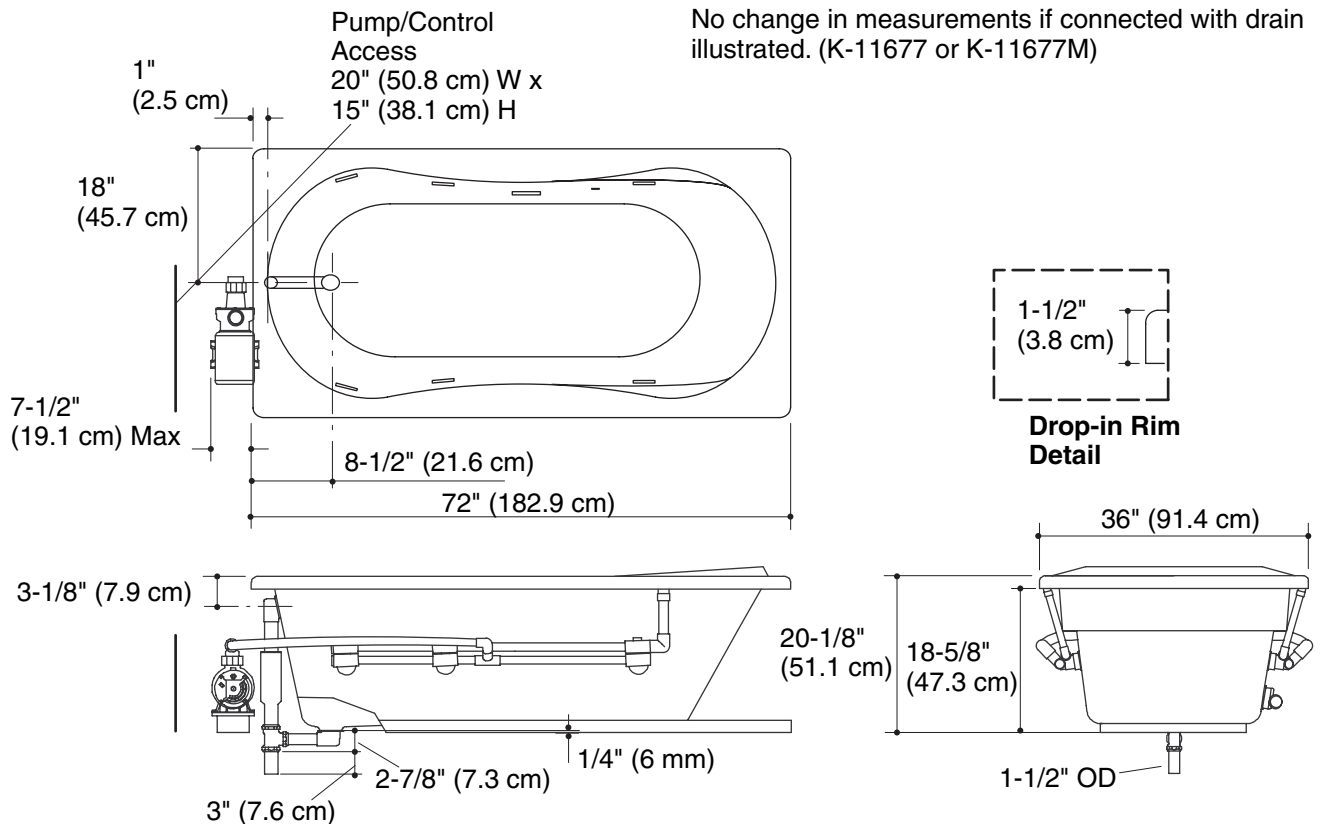
Install this product according to the installation guide.

Floor support under whirlpool must provide for a minimum of 39 lbs/square foot (188 kg/square meter) loading.

The apron must be installed before the finished floor and wall materials are installed.

Pump must be relocated to custom position at the time of installation. Provide adequate clearance.

Fixture conforms to ANSI Standard Z124.1.2. All dimensions are nominal.



No change in measurements if connected with drain illustrated. (K-11677 or K-11677M)