

Installation Guide

Bath Whirlpool with Custom Pump

K-1106, K-1126, K-1131,
K-1139, K-1144, K-1146,
K-1148, K-1157, K-1192,
K-1194, K-1196, K-1198,
K-1201, K-1209, K-1221,
K-1224, K-1226, K-1231,
K-1239, K-1244, K-1246,
K-1248, K-1257, K-1263,
K-1266, K-1337, K-1458

M product numbers are for Mexico (i.e. K-12345**M**)
Los números de productos seguidos de **M** corresponden a México
(Ej. K-12345**M**)
Français, page "Français-1"
Español, página "Español-1"

THE BOLD LOOK
OF **KOHLER**®

Important Information



WARNING: When using electrical products, basic precautions should always be followed, including the following:



DANGER: Risk of electric shock. Connect only to a circuit protected by a Ground-Fault Circuit-Interrupter (GFCI).

Building materials and wiring should be routed away from the pump body and other heat-producing components of the unit.

Install to permit access for servicing.

Grounding is required. The unit should be installed by a qualified service representative, and grounded.



WARNING: Risk of electric shock. A licensed electrician should make all electrical connections.



WARNING: Risk of electric shock. Disconnect power before servicing.



WARNING: Risk of injury or property damage. Please read all instructions thoroughly before beginning installation, including the following requirements.

NOTICE: Follow all local plumbing and electrical codes.

Product Information

Electrical Requirements

The installation must have a Class A Ground-Fault Circuit-Interrupter (GFCI). The GFCI protects against line-to-ground shock hazard. Use a 120 V, 15 A, 60 Hz dedicated service for the whirlpool.

"H" models require a separate 120 V, 15 A, 60 Hz dedicated service for the heater.

Product Notices



WARNING: Unauthorized modification may cause unsafe operation and poor performance of the whirlpool. Do not relocate the whirlpool pump, or make other modifications to the whirlpool system, as this could adversely affect the performance and safe operation of the whirlpool. Kohler Co. shall not be liable under its warranty or otherwise for personal injury or damage caused by any such unauthorized modification.

Factory-Assembled Features

Factory installed components include pump with power supply cord and air switch transmitter, and air control. No installation is needed.

"H" models are supplied with a factory assembled in-line heater.

An optional timer kit is available for certain models.

The whirlpool pump and piping are factory-assembled.

Connections and Service Access

- Before installation, ensure proper access to the final connections.

Important Information (cont.)

NOTICE: Provide unrestricted service access to the pump. You must provide access for servicing the pump and controls. The access must be located immediately next to the pump. Study the roughing-in information packed with the whirlpool.

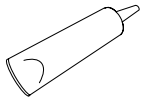
Table of Contents

Important Information	2
Thank You For Choosing Kohler Company	4
Tools and Materials	4
Before You Begin	4
Prepare the Site	5
Prepare the Whirlpool	5
Disconnect the Pump	5
Secure the Unit — Models With Support Blocks	6
Secure the Unit — Models With Whirlpool Base	8
Relocate and Mount the Pump	9
Install the Plumbing	10
Install a Rim-Mounted Faucet	10
Make Electrical Connections	11
Test Run the Whirlpool	12
Complete the Finished Wall	12
Clean-Up After Installation	12
Confirm Proper Operation	13
Troubleshooting Procedure	14

Thank You For Choosing Kohler Company

We appreciate your commitment to Kohler quality. Please take a few minutes to review this manual before you start installation. If you encounter any installation or performance problems, please don't hesitate to contact us. Our phone numbers and website are listed on the back cover. Thanks again for choosing Kohler Company.

Tools and Materials



Sealant



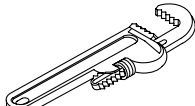
Tape Measure



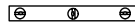
Pencil



Safety Glasses



Pipe Wrench



Level

Plus:

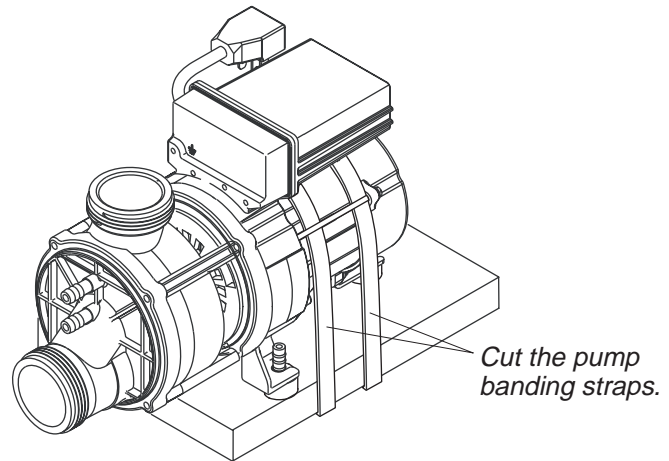
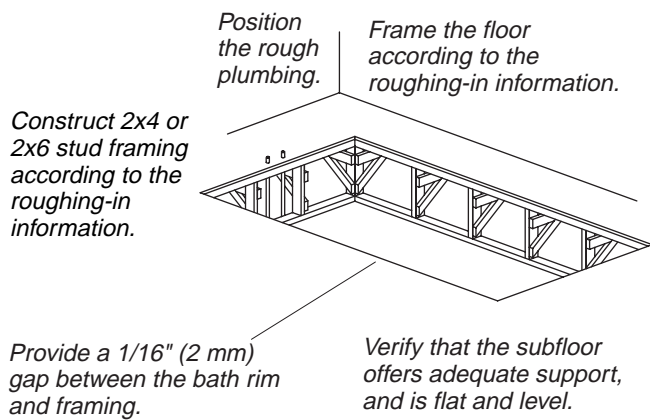
- Conventional woodworking tools and materials
- Drop Cloth
- Construction adhesive (optional)
- Cement or mortar (optional)
- 2x4's or 2x6's

Before You Begin



CAUTION: Risk of product damage. Do not lift the whirlpool by the piping or pump, or use the piping or pump for structural support of the whirlpool.

- We recommend this whirlpool for drop-in installation.
- Inspect the whirlpool for damage before you begin installation.
- You must install this whirlpool to an adequately supported, level subfloor.
- Confirm adequate mounting and connection space for the faucet specified for your installation.



1. Prepare the Site

NOTICE: Unless otherwise specified, floor support under the whirlpool must provide for a minimum of 80 lbs/square foot (390 kg/square meter) loading.

NOTICE: Do not support the whirlpool by the rim.

- Make sure the flooring offers adequate support for your whirlpool, and verify that the subfloor is flat and level.
- The whirlpool should be installed in a drop-in installation. Construct 2x4 or 2x6 stud framing designed for your particular installation. Provide for a 1/16" (2 mm) gap between the bottom of the whirlpool rim and the stud framing. Frame the floor, or construct a frame for a raised installation in accordance with the roughing-in information packed with the whirlpool.
- Carefully lay out and cut the rough deck material. Use the cut-out template if one is provided, or refer to the roughing-in cut-out information.
- Position the plumbing according to the roughing-in information packed. Cap the supplies, and check for leaks.

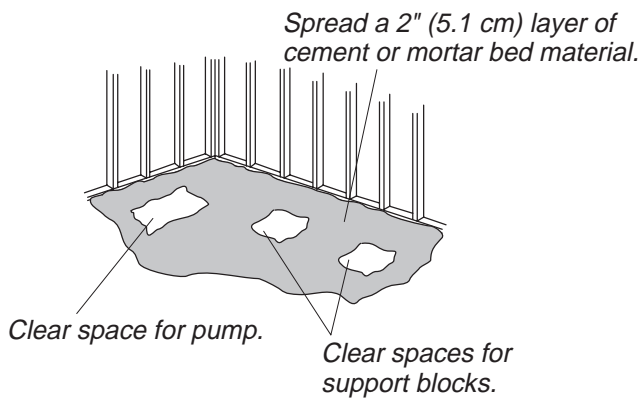
2. Prepare the Whirlpool

- Install the drain to the whirlpool according to the drain manufacturer's instructions. Do not connect the trap at this time.
- Position a clean drop cloth or similar material in the bottom of the whirlpool. Be careful not to scratch the surface of the whirlpool.

3. Disconnect the Pump

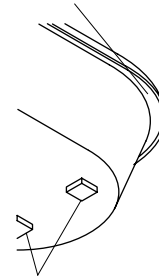
NOTE: No cutting of the whirlpool harness (piping) is required for this installation. Any cutting of the harness will void the warranty.

- Disconnect the pump and in-line heater (if equipped) from the shipping location by cutting the two banding straps with tin snips.
- Move the pump and in-line heater (if equipped) aside.
- Relocate the pump and heater (if equipped) next to the customized inlet/outlet connections of the whirlpool harness. The pump may protrude beyond the rim of the bath. See the rough-in details.



Apply a bead of silicone sealant around the entire rim.

or



Apply construction adhesive to the support blocks.

4. Secure the Unit — Models With Support Blocks

CAUTION: Risk of product damage. Do not lift the whirlpool by the piping or pump, or use the piping or pump for structural support of the whirlpool.

CAUTION: Risk of product damage. Do not support the whirlpool by the rim.

- Choose the installation option that best applies to your particular installation. Follow the appropriate instructions.
- If the subfloor is not level, shim the whirlpool support blocks as necessary.

Option Using a Cement or Mortar Bed

NOTE: Do not use gypsum cement or drywall compound for this application, as they will not provide an acceptable, durable bond.

NOTE: The pump support bracket (when the pump banding straps are cut) and support blocks must rest directly on the subfloor.

- Spread a 2" (5.1 cm) thick layer of cement or mortar on the subfloor where the whirlpool will be set. This will help secure, level, and support the unit. Clear all the material away from the pump support bracket and support block locations.
- Position a piece of plastic drop cloth material on top of the cement or mortar bed. With help, carefully lift the whirlpool into place, and make sure the pump support bracket and support blocks do not rest in the bed material.
- Insert the drain tailpiece into the trap. Make sure the whirlpool is level and resting on all support blocks.
- Remove the protective tape from the rim. Apply a continuous bead of high-quality silicone sealant around the entire rim of the whirlpool.

Option Using Construction Adhesive

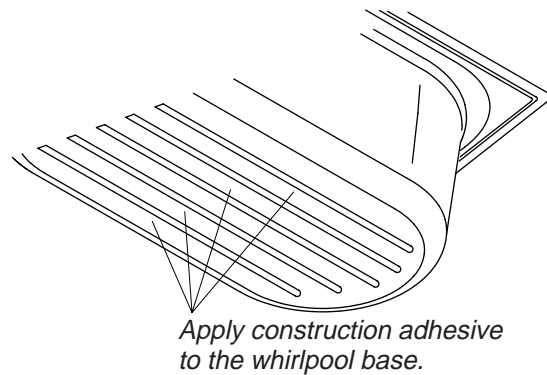
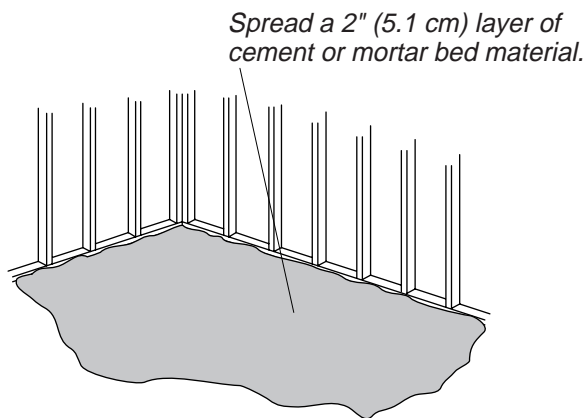
- Apply a generous amount of high-quality construction adhesive to the bottom of the support blocks. With help, carefully lift the whirlpool into position.
- Insert the drain tailpiece into the trap. Make sure the whirlpool is level and resting on all support blocks.
- Remove the protective tape from the rim. Apply a continuous bead of high-quality silicone sealant around the entire rim of the whirlpool.

Option Using Silicone Sealant

- With help, carefully lift the whirlpool into position.

Secure the Unit — Models With Support Blocks (cont.)

- Insert the drain tailpiece into the trap. Make sure the whirlpool is level and resting on all support blocks.
- Remove the protective tape from the rim. Apply a continuous bead of high-quality silicone sealant around the entire rim of the whirlpool.



5. Secure the Unit — Models With Whirlpool Base

CAUTION: Risk of product damage. Do not lift the whirlpool by the piping or pump, or use the piping or pump for structural support of the whirlpool.

CAUTION: Risk of product damage. Do not support the whirlpool by the rim.

- Choose the installation option that best applies to your particular installation. Follow the appropriate instructions.
- If the subfloor is not level, shim the whirlpool base as necessary.

Option Using a Cement or Mortar Bed

NOTE: Do not use gypsum cement or drywall compound for this application, as they will not provide an acceptable, durable bond.

- Spread a 2" (5.1 cm) thick layer of cement or mortar on the subfloor where the whirlpool will be set. This will help secure, level, and support the unit.
- Position a piece of plastic drop cloth material on top of the cement or mortar bed. With help, carefully lift the whirlpool into place.
- Insert the drain tailpiece into the trap. Make sure the whirlpool is level. Use screws or lag bolts to secure the whirlpool base to the floor. Drill small pilot holes through the whirlpool base as needed.
- Remove the protective tape from the rim. Apply a continuous bead of high-quality silicone sealant around the entire rim of the whirlpool.

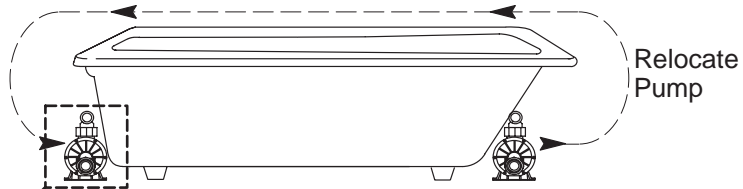
Option Using Construction Adhesive

- Apply a generous amount of high-quality construction adhesive to the bottom of the whirlpool base. With help, carefully lift the whirlpool into position.
- Insert the drain tailpiece into the trap. Make sure the whirlpool is level. Use screws or lag bolts to secure the whirlpool base to the floor. Drill small pilot holes through the whirlpool base as needed.
- Remove the protective tape from the rim. Apply a continuous bead of high-quality silicone sealant around the entire rim of the whirlpool.

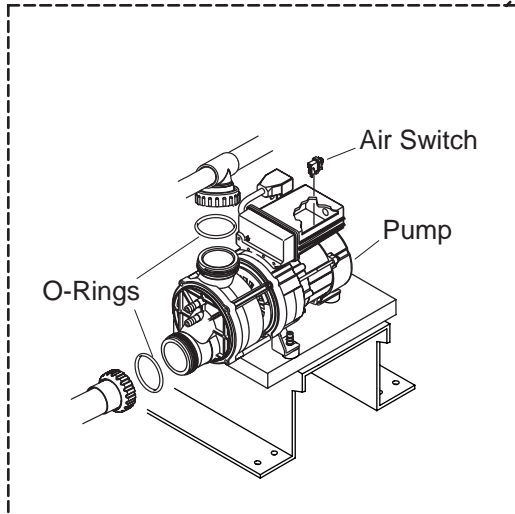
Option Using Silicone Sealant

- With help, carefully lift the whirlpool into position.
- Insert the drain tailpiece into the trap. Make sure the whirlpool is level. Use screws or lag bolts to secure the whirlpool base to the floor. Drill small pilot holes through the whirlpool base as needed.
- Remove the protective tape from the rim. Apply a continuous bead of high-quality silicone sealant around the entire rim of the whirlpool.

When installing the pump, make sure to remove the plugs from the inlet and outlet piping.



Provide access to the installed pump for servicing.

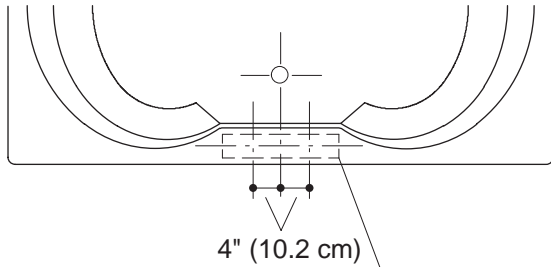


6. Relocate and Mount the Pump

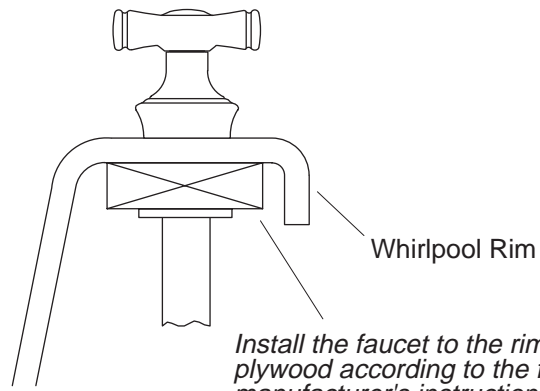
- Relocate the pump and in-line heater (if equipped) next to the customized inlet and outlet connections of the whirlpool harness. The pump may extend beyond the rim of the whirlpool.
- Remove all protective packaging from around the whirlpool harness. Cut only those cable ties supporting the union nuts.
- Remove the plugs from the pump inlet and outlet openings. Install the O-rings into the grooves on the inlet and outlet connector fittings.
- Set the pump on the support bracket.
- Thread the plastic inlet and outlet attachment nuts onto the pump until the O-rings make initial contact.
- Tighten each nut a quarter turn after initial contact. **Do not overtighten these nuts.**

NOTE: Do not shim the pump more than 1/2" (1.3 cm). Raising the pump too high will prevent the pump from priming properly.

- Make sure the whirlpool harness inlet piping (suction line) is pitched downward from the pump toward the suction fitting. This is important so the pump will drain water properly. Shim the pump if necessary to promote proper drainage.
- Secure the pump support bracket with four screws or lag bolts (not provided).
- Connect the air actuator tubing to the air switch on the pump.



Measure, cut, and drill a piece of 1/2" exterior grade plywood 4" (10.2 cm) x 11-1/2" (29.2 cm) for the K-1226, or 4" (10.2 cm) x 15-1/2" (39.4 cm) for the K-1331.



Install the faucet to the rim and plywood according to the faucet manufacturer's instructions.

7. Install the Plumbing



CAUTION: Risk of property damage. Ensure a watertight seal on the whirlpool drain.

- Connect the drain to the trap according to the drain manufacturer's instructions.

NOTICE: An access panel will simplify future maintenance.

- Install the faucet valving according to the faucet manufacturer's instructions. Do not install the faucet trim until instructed. Open the hot and cold water supplies, and check the supply connections for leakage.
- Run water into the whirlpool, and check the drain connections for leakage.

8. Install a Rim-Mounted Faucet

K-1226 and K-1231 Only

- Measure and cut a piece of 1/2" exterior grade plywood 4" (10.2 cm) x 11-1/2" (29.2 cm) for the K-1226, or 4" (10.2 cm) x 15-1/2" (39.4 cm) for the K-1231.
- The faucet should be located in the center of the flat area of the rim. Refer to the faucet manufacturer's instructions. Use a pencil to mark the faucet centerlines for drilling.

NOTE: The K-1226 will accept faucets with 4" (10.2 cm) centers, and the K-1231 will accept faucets with 4" (10.2 cm) or 6" (15.2 cm) centers.



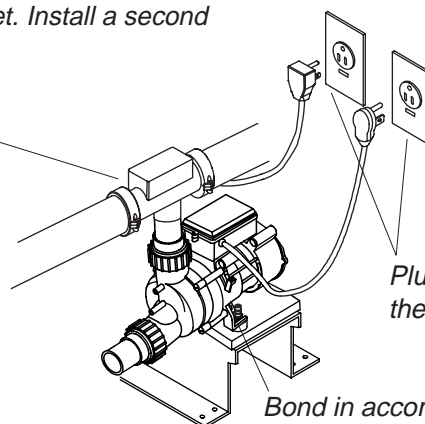
CAUTION: Risk of product damage. Position a thin piece of cardboard on the finished surface of the whirlpool before clamping the plywood in place. Make sure the clamps do not make direct contact with the finished surface of the whirlpool.

- Set a thin piece of cardboard on the finished surface of the whirlpool rim. Position the plywood on the bottom of the rim, and carefully clamp the plywood in place. Make sure the clamps are in contact with the cardboard, not the finished surface of the whirlpool.
- Carefully drill the faucet holes to the size required by the faucet manufacturer. Remove the clamps and cardboard.
- Install the faucet to the rim and plywood according to the faucet manufacturer's instructions.
- Open the hot and cold water supplies, and check the supply connections for leakage.
- Run water into the whirlpool, and check the drain connections for leakage.

Install a GFCI-protected 120 V, 15 A grounded outlet. Install a second GFCI-protected outlet for "H" models for the heater.

Optional Heater (**models may vary**) either T-style (shown) or water intake (not shown).

Make sure air actuator tubing is securely attached to the pump or the optional timer box.



Plug pump and heater into these outlets.

Bond in accordance with applicable codes.

NOTE: Pump model illustrated may differ from your actual product.

9. Make Electrical Connections

WARNING: Risk of electric shock. Make sure the power has been disconnected before performing the following procedures.

WARNING: Risk of electric shock. To reduce the risk of electrical shock, connect the pump and in-line heater (if heater option included) to properly grounded, grounding-type receptacles protected by Ground-Fault Circuit-Interrupters (GFCI's). Do not remove the plugs' grounding pins. Do not use grounding adapters.

Pump Wiring

NOTE: The whirlpool model number is printed on a label near the whirlpool pump. This label also identifies the electrical rating of the whirlpool.

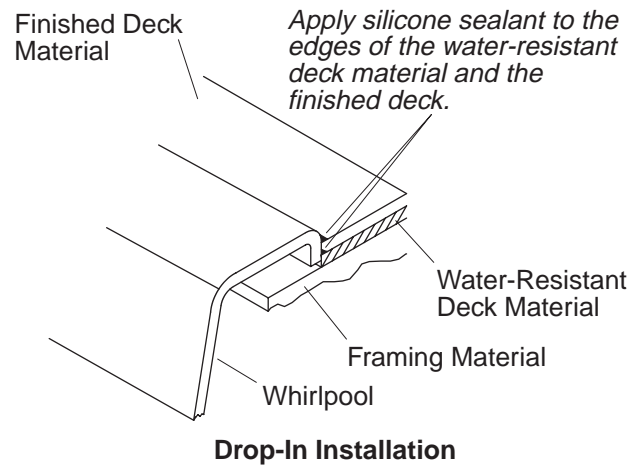
- Your Kohler whirlpool bath is equipped with a cord and plug. All wiring of the pump and control has been completed at the factory. A licensed electrician must install a GFCI-protected, 120 V, 15 A, grounded outlet. No other load should be on this circuit. Locate the outlet behind the whirlpool, and within 24" (61 cm) of the pump.
- Plug the pump into this outlet.

NOTE: Make sure the air actuator tubing is securely attached to the pump, and is not kinked or damaged.

- If a K-1639 Timer Kit will be used, install it now according to the instructions packed.

In-line Heater Wiring

- **"H" Models:** The heater is equipped with a cord and plug. All wiring of the heater has been completed at the factory. A licensed electrician must install a GFCI-protected, 120 V, 15 A, grounded outlet. No other load should be on this circuit. Locate the outlet behind the whirlpool, and within 24" (61 cm) of the heater.
- Plug the heater into this outlet.



10. Test Run the Whirlpool

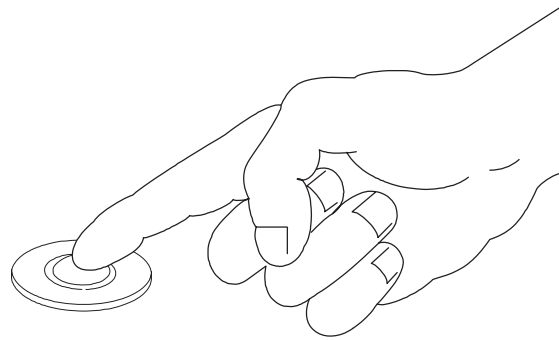
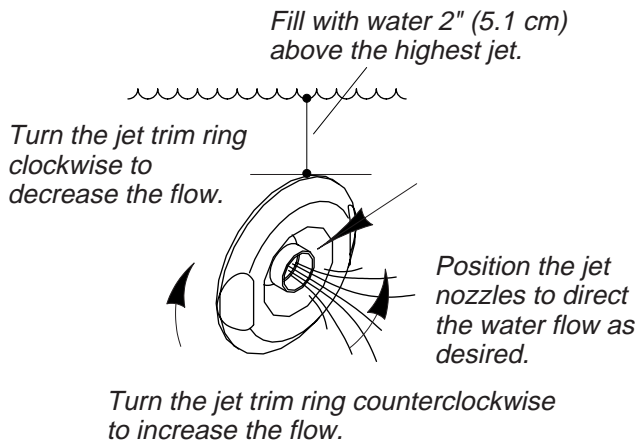
- Check all electrical connections, and make sure the electrical power to the whirlpool and heater (if equipped) is on.
- Make sure all union connections to the pump and heater are securely hand tightened.
- Verify that the pump banding straps have been cut (if applicable), and that the pump is resting directly on the subfloor or whirlpool base.
- Fill the whirlpool to a level at least 2" (5.1 cm) above the top of the highest jet.
- Operate the whirlpool for 5 minutes, and check all whirlpool piping connections for leaks.
- For additional information on whirlpool operation, refer to "Confirm Proper Operation."

11. Complete the Finished Wall

- If you have not already done so, carefully remove the protective tape from the whirlpool rim.
- Cover the framing with water-resistant wall material.
- Tape and mud the water-resistant wall material. Install the finished wall to the water-resistant wall material.
- Seal the joints between the whirlpool rim and the finished wall material with silicone sealant.
- Install the faucet trim according to the instructions packed with the trim.

12. Clean-Up After Installation

- When cleaning up after installation, **do not use abrasive cleansers**, as they may scratch and dull the whirlpool surface. Use warm water and a liquid detergent to clean the surface.
- Remove stubborn stains, paint, or tar with turpentine or paint thinner. **Do not allow cleaners containing petroleum distillates to remain in contact with any whirlpool surfaces for long periods of time.** Remove plaster by carefully scraping with a wood edge. Do not use metal scrapers, wire brushes, or other metal tools. Use a powder-type detergent on a damp cloth to provide mild abrasive action to any residual plaster.



Press the air actuator to turn on and off the whirlpool.

13. Confirm Proper Operation

Fill the Whirlpool

NOTE: Please read these steps carefully before you operate your whirlpool.

- Position the jet nozzles so they face down toward the basin. Turn the jet trim rings fully counterclockwise.
- **Fill the whirlpool to a water level at least 2" (5.1 cm) above the top of the highest jet.**

NOTE: The water temperature in the whirlpool should not exceed 104° F (40° C).

- To service orifices insert a pencil into the end of the jet nozzle and push the orifice out. After removing any blockage, check the orifice to make sure it is clear and press it into the jet housing.

NOTE: Orifices are only installed in whirlpool jets when there are six or more jets in the whirlpool system.

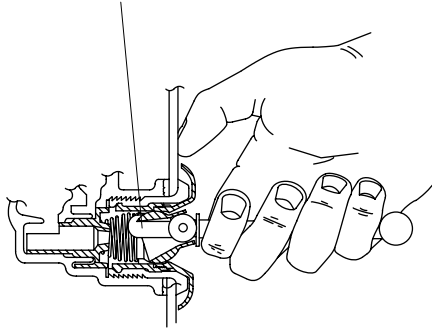
Operating Sequence

- Press the air actuator to turn on the whirlpool jets.
- Adjust each jet for optimum air/water mixture. Turn the trim ring clockwise to reduce the air flow, and counterclockwise to increase the air flow.
- If equipped with a heater, the heater will engage automatically when the pump is turned on and will disengage when the pump is turned off. The heater will not turn on if the water temperature exceeds 104° F (40° C).
- Press the air actuator a second time to turn off the whirlpool.

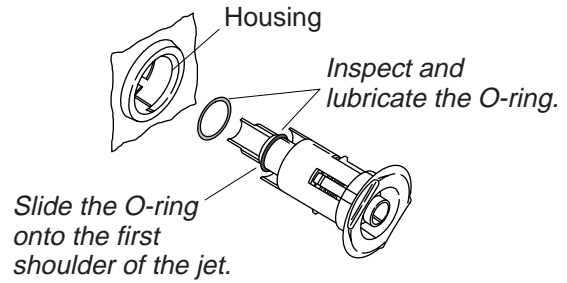
NOTE: The optional K-1639 Timer Kit automatically stops the whirlpool after approximately 20 minutes of operation.

Remove the Jets

Insert the tool hook as shown and pull the jet out of the housing. The jet should be facing up when this is done.



Reinstall the Jets



Insert the jet into the housing, and lightly push and rotate until it snaps in position.

14. Troubleshooting Procedure

Remove the Factory Installed Jets

NOTE: A special tool is provided with the replacement jets that will allow you to remove the jets from the whirlpool. This tool is also supplied with each trim kit.

- Position the jet ball nozzle so it is pointing upward.

NOTE: The nozzle must remain pointed up or the tool will slip off.

- Insert the removal tool, hooked end up, into the opening of the jet and hook the inside top of the nozzle.
- Grasp the tool firmly and place your thumb against the whirlpool wall. Pull steadily on the tool until the jet assembly pulls free of the hole. Be careful not to lose the O-ring.

Reinstall the Jets

NOTE: The jet O-ring must be correctly positioned, must be lubricated, and must be in good condition to permit easy rotation and proper operation of the jet.

- Install the O-ring onto the **first shoulder** of the jet. Lubricate the O-ring with silicone lubricant to prevent noisy operation of the jet.
- Carefully insert the jet into the housing, and lightly push and rotate the jet until it snaps into position. **Do not force the jet.**

NOTE: When installed correctly, the jet should turn smoothly both clockwise and counterclockwise.

Troubleshooting Guide

This troubleshooting guide is for general aid only. A Kohler Authorized Service Representative or qualified electrician should correct any electrical problems. For warranty service, contact your dealer or wholesale distributor.

Symptoms	Probable Causes	Recommended Action
1. Whirlpool does not start or stop.	<p>A. No power to motor.</p> <p>B. Air actuator does not work.</p> <p>C. Air actuator tubing is disconnected, loose, kinked, plugged, or damaged.</p> <p>D. Motor/pump does not work.</p>	<p>A. Set/reset the GFCI or ELCB; check wiring.</p> <p>B. Replace air actuator.</p> <p>C. Connect, straighten, clean, or replace air actuator tubing.</p> <p>D. Rebuild or replace motor/pump.</p>

Troubleshooting Procedure (cont.)


Symptoms	Probable Causes	Recommended Action
2. Motor starts, not all jets are functioning.	<p>A. Jet is closed.</p> <p>B. Jet not installed correctly.</p> <p>C. Jets are blocked.</p>	<p>A. Rotate jet trim ring counterclockwise to open.</p> <p>B. Reinstall jet; check for O-ring damage.</p> <p>C. Remove blockage.</p>
3. Whirlpool stops automatically before 18 minutes.	<p>A. The GFCI or ELCB trips.</p> <p>B. Suction blocked.</p> <p>C. Jets are blocked.</p> <p>D. Motor overheated and protection device activated.</p>	<p>A. Identify source of fault, and correct.</p> <p>B. Remove obstruction.</p> <p>C. Remove blockage.</p> <p>D. Check for blockage at motor vents. Remove blockage and allow motor to cool. Check for suction blockage. Remove blockage and allow motor to cool. Check for jet blockage. Remove blockage and allow motor to cool.</p>
4. Pump does not prime. (Models with support blocks only.)	<p>A. Pump shimmed too high.</p>	<p>A. Lower pump support bracket.</p>
5. Noisy operation.	<p>A. Pump banding straps have not been cut. (Models with support blocks only.)</p> <p>B. Jet O-ring dislodged.</p>	<p>A. Cut pump banding straps with tin snips.</p> <p>B. Remove jet, replace and lubricate O-ring, and reinstall jet.</p>
6. Heater does not operate. ("H" models only)	<p>A. No power to heater.</p> <p>B. Water temperature exceeds 104° F (40° C).</p> <p>C. Heater does not work.</p>	<p>A. Reset the GFCI or ELCB.</p> <p>B. Allow water to cool and heater will reengage.</p> <p>C. Replace heater.</p>

Guide d'installation

Baignoire à hydromassage avec pompe personnalisée

Renseignements importants

 **AVERTISSEMENT : Lors de l'utilisation des produits électriques, des précautions de base devraient toujours être observées, incluant ce qui suit:**

 **DANGER : Risque d'électrocution.** Raccorder uniquement à une prise de terre protégée par un disjoncteur différentiel (GFCI).


Les matériaux de construction et le câblage devraient être acheminés loin du corps de la pompe et des autres composants qui dégagent de la chaleur de l'unité.

Installer de façon à permettre l'accès pour l'entretien.

Une mise à la terre est requise. L'appareil doit être installé et mis à la terre par un représentant qualifié.

 **AVERTISSEMENT : Risque d'électrocution.** Tous les raccords électriques devraient être réalisés par un électricien agréé.

 **AVERTISSEMENT : Risque d'électrocution.** Débrancher l'alimentation avant de procéder à l'entretien.

 **AVERTISSEMENT : Risque de blessures ou d'endommagement du matériel.** Veuillez s'il vous plaît lire avec attention toutes les instructions avant de commencer l'installation, y compris les conditions suivantes:

AVIS : Respecter tous les codes de plomberie et électriques locaux.


Information sur le produit

Branchements électriques requis

L'installation doit avoir un disjoncteur de fuite de terre de classe A (GFCI). Le disjoncteur GFCI protège contre les risques de chocs. Utiliser une alimentation de 120 V, 15 A, 60 Hz dédiée à la baignoire à hydromassage.

Les modèles "H" nécessitent d'une alimentation dédiée de 120 V, 15 A, 60 Hz pour le chauffeau.

Notices du produit

 **AVERTISSEMENT : Des modifications non approuvées pourraient provoquer un fonctionnement dangereux ou un mauvais fonctionnement de la baignoire à hydromassage.** Ne pas déplacer la pompe d'hydromassage ou effectuer d'autres modifications au système d'hydromassage car cela pourrait affecter les performances et la sécurité de la baignoire à hydromassage. Kohler Co. décline toute responsabilité sous ses garanties quant à toutes blessures ou dommages causés par des modifications non autorisées.

Pièces assemblées en usine

Les composants installés en usine comprennent la pompe avec câble d'alimentation électrique, interrupteur et contrôle d'air. Aucune installation n'est nécessaire.

Les modèles "H" sont fournis avec un chauffeau en ligne assemblé en usine.

Le kit de minuterie optionnelle est disponible pour certains modèles.

La pompe et la tuyauterie de la baignoire à hydromassage ont été assemblées en usine.

Renseignements importants (cont.)

Connexions et accès pour l'entretien

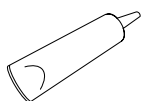
- S'assurer d'avoir suffisamment d'accès pour les connexions finales avant l'installation.

AVIS : Fournir un panneau d'accès libre à la pompe. Il faut prévoir un accès pour l'entretien de la pompe et des contrôles. L'accès doit être situé tout près de la pompe. Étudier le plan de raccordement qui accompagne la baignoire à hydromassage.

Sommaire

Renseignements importants	1
Outils et matériels	2
Merci d'avoir choisi la compagnie Kohler	2
Avant de commencer	3
Préparer le site	4
Préparer la baignoire à hydromassage	4
Débrancher la pompe	4
Sécuriser les modèles d'unités avec blocs de support	5
Sécuriser l'unité - Modèles avec base de baignoire à hydromassage	7
Relocaliser et monter la pompe	9
Installer la plomberie	10
Installer un robinet monté sur rebord	10
Faire les connexions électriques	11
Tester la baignoire à hydromassage	12
Compléter le mur fini	12
Nettoyage après installation	12
Confirmer le bon fonctionnement	13
Procédures de dépannage	14

Outils et matériels



Mastic d'étanchéité



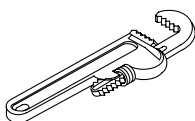
Ruban à mesurer



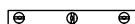
Crayon



Lunettes de protection



Clé à tube



Niveau à bulle

Plus :

- Outils et matériaux habituels du travail du bois
- Toile
- Adhésif de construction (optionnel)
- Ciment ou mortier (optionnel)
- Montants 2x4 ou 2x6

Merci d'avoir choisi la compagnie Kohler

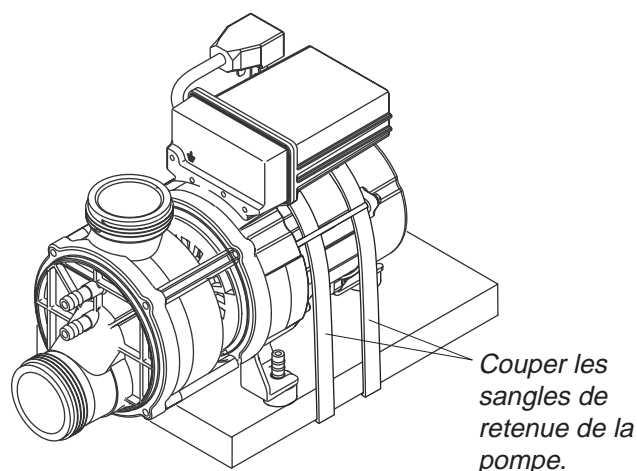
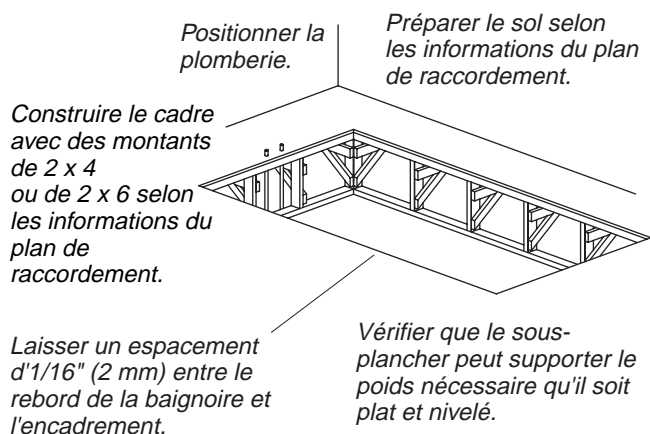
Nous apprécions votre engagement envers la qualité Kohler. Veuillez prendre s'il vous plaît quelques minutes pour lire ce manuel avant de commencer l'installation. Ne pas hésiter à nous contacter en cas de problème d'installation ou de performance. Nos numéros de téléphone et notre adresse du site internet sont au verso. Merci encore d'avoir choisi la compagnie Kohler.

Avant de commencer



ATTENTION : Risque d'endommagement du produit. Ne pas soulever la baignoire à hydromassage par la tuyauterie ou par la pompe ou utiliser la tuyauterie ou la pompe pour supporter la baignoire à hydromassage.

- Nous recommandons cette baignoire à hydromassage pour une installation encastrée.
- Avant l'installation, inspecter la baignoire à hydromassage pour en déceler tout dommage.
- Cette baignoire à hydromassage doit être installée sur un sol nivelé adéquat.
- S'assurer que l'espace de montage et de raccordement du robinet soit adéquat pour l'installation.



1. Préparer le site

AVIS : Sauf contre-indications, le sol sous la baignoire à hydromassage doit pouvoir soutenir une charge minimale de 80 lbs./pi carré (390 Kg/m²).

AVIS : Ne pas soulever la baignoire à hydromassage par le rebord.

- S'assurer que le sol constitue un support adéquat pour la baignoire à hydromassage et que le plancher soit plat et nivelé.
- La baignoire à hydromassage devrait être installée dans un espace encastré. Construire un cadre avec des montants de 2x4 ou de 2x6 pour votre installation particulière. Prévoir un dégagement de 1/16" (2 mm) entre la base du rebord de la baignoire à hydromassage et le cadre. Cadrer le sol ou construire un cadre pour une installation surélevée en corrélation avec le plan de raccordement fourni avec la baignoire à hydromassage.
- Disposer et découper soigneusement le matériau du comptoir brut. Employer le gabarit s'il est fourni, ou se reporter à l'information de découpe du plan de raccordement.
- Déterminer l'emplacement de la plomberie selon le plan de raccordement fourni. Boucher les alimentations et vérifier s'il y a des fuites.

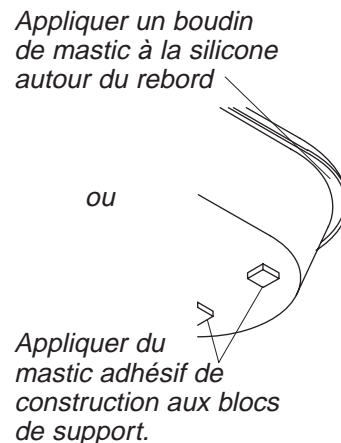
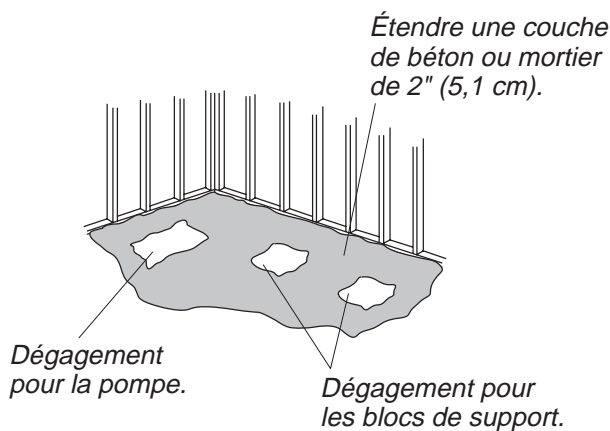
2. Préparer la baignoire à hydromassage

- Installer le drain sur la baignoire à hydromassage selon les instructions du fabricant. Ne pas connecter le siphon à ce moment.
- Placer un chiffon propre ou matière similaire à la base de la baignoire à hydromassage. S'assurer de ne pas rayer la surface de la baignoire à hydromassage.



3. Débrancher la pompe

REMARQUE : Pour cette installation, aucune découpe du harnais (tuyauterie) de la baignoire à hydromassage n'est nécessaire. Toute découpe du harnais annulera la garantie.

- Déconnecter la pompe et le chauffeau en ligne (si équipé) de l'emplacement d'expédition en coupant les deux sangles de retenue avec une cisaille de ferblantier.
- Mettre la pompe et le chauffeau en ligne (si équipé) de côté.
- Relocaliser le chauffeau et la pompe (si équipé) à côté des connexions d'alimentation/évacuation sur mesure du harnais de la baignoire à hydromassage. Il se peut que la pompe dépasse le rebord de baignoire. Voir les détails du plan de raccordement.



4. Sécuriser les modèles d'unités avec blocs de support

-  **ATTENTION : Risque d'endommagement du produit.** Ne pas soulever la baignoire à hydromassage par la tuyauterie ou par la pompe ou utiliser la tuyauterie ou la pompe pour supporter la baignoire à hydromassage.
-  **ATTENTION : Risque d'endommagement du produit.** Ne pas soulever la baignoire à hydromassage par le rebord.

- Choisir l'option d'installation qui s'applique le mieux à votre installation. Suivre les instructions correspondantes.
- Si le plancher n'est pas nivelé, placer des blocs de renfort sous la baignoire à hydromassage, si nécessaire.

Option pour utilisation de lit de ciment ou de mortier

REMARQUE : Ne pas utiliser de plâtre ou un mélange pour cloison sèche pour cette installation, car ces produits ne fourniront pas un scellement acceptable, et durable.

REMARQUE : Le support de pompe (une fois les sangles de retenue coupées) et les blocs de support doivent reposer directement sur le sol.

- Étendre une couche de ciment ou mortier de 2" (5,1 cm) d'épaisseur sur le plancher à l'endroit d'installation de la baignoire. Ceci aidera à sécuriser, niveler et supporter l'unité. Ecarter tout matériau de l'emplacement du montant de la pompe et des blocs de support.
- Positionner une bâche en plastique sur le lit de ciment ou de mortier. Avec de l'assistance, soulever et mettre soigneusement la baignoire à hydromassage en place et s'assurer que le support de pompe et les blocs de renfort ne reposent pas sur le matériau de l'embase.
- Insérer la pièce de raccordement du drain dans le siphon. S'assurer que la baignoire à hydromassage soit nivelée et qu'elle repose sur tous les blocs de renfort.
- Retirer la pellicule protectrice du rebord. Appliquer du mastic à la silicone de bonne qualité tout autour du rebord de la baignoire à hydromassage.

Option pour l'utilisation de mastic adhésif de construction

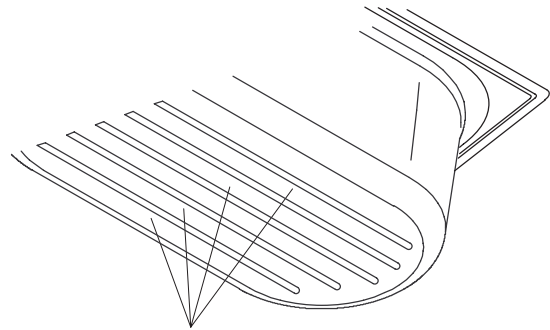
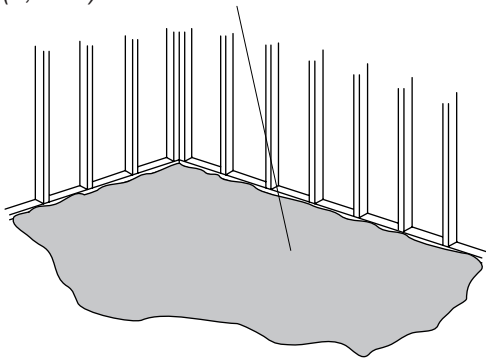
- Appliquer un adhésif de construction de haute qualité à la base des blocs de renfort. Avec de l'assistance, soulever et mettre la baignoire à hydromassage en place avec précaution.
- Insérer la pièce de raccordement du drain dans le siphon. S'assurer que la baignoire à hydromassage soit nivelée et qu'elle repose sur tous les blocs de renfort.
- Retirer la pellicule protectrice du rebord. Appliquer du mastic à la silicone de bonne qualité tout autour du rebord de la baignoire à hydromassage.

Sécuriser les modèles d'unités avec blocs de support (cont.)

Option d'utilisation de mastic d'étanchéité à la silicone

- Avec de l'assistance, soulever et mettre la baignoire à hydromassage en place avec précaution.
- Insérer la pièce de raccordement du drain dans le siphon. S'assurer que la baignoire à hydromassage soit nivelée et qu'elle repose sur tous les blocs de renfort.
- Retirer la pellicule protectrice du rebord. Appliquer du mastic à la silicone de bonne qualité tout autour du rebord de la baignoire à hydromassage.

Etaler une couche de ciment de 2"
(5,1 cm) ou un matériau de mortier.



Appliquer du mastic adhésif
de construction à la base de
la baignoire d'hydromassage.

5. Sécuriser l'unité - Modèles avec base de baignoire à hydromassage



ATTENTION : Risque d'endommagement du produit. Ne pas soulever la baignoire à hydromassage par la tuyauterie ou par la pompe ou utiliser la tuyauterie ou la pompe pour supporter la baignoire à hydromassage.



ATTENTION : Risque d'endommagement du produit. Ne pas soulever la baignoire à hydromassage par le rebord.

- Choisir l'option d'installation qui s'applique le mieux à votre installation. Suivre les instructions correspondantes.
- Si le sol n'est pas nivelé, placer des cales sous la baignoire si nécessaire.

Option pour utilisation de lit de ciment ou de mortier

REMARQUE : Ne pas utiliser de plâtre ou un mélange pour cloison sèche pour cette installation, car ces produits ne fourniront pas un scellement acceptable, et durable.

- Étendre une couche de ciment ou mortier de 2" (5,1 cm) d'épaisseur sur le plancher à l'endroit d'installation de la baignoire. Ceci aidera à sécuriser, niveler et supporter l'unité.
- Positionner une bâche en plastique sur le lit de ciment ou de mortier. Avec de l'aide, positionner la baignoire à hydromassage.
- Insérer la pièce de raccordement du drain dans le siphon. Vérifier que la baignoire soit nivelée. Utiliser des vis ou des tire-fonds pour fixer la base de la baignoire au sol. Percer des petits trous-pilotes dans la base de la baignoire à hydromassage selon le besoin.
- Retirer la pellicule protectrice du rebord. Appliquer du mastic à la silicone de bonne qualité tout autour du rebord de la baignoire à hydromassage.

Option pour l'utilisation de mastic adhésif de construction

- Appliquer du mastic adhésif de construction de haute qualité à la base de la baignoire à hydromassage. Avec de l'assistance, soulever et mettre la baignoire à hydromassage en place avec précaution.
- Insérer la pièce de raccordement du drain dans le siphon. Vérifier que la baignoire soit nivelée. Utiliser des vis ou des tire-fonds pour fixer la base de la baignoire au sol. Percer des petits trous-pilotes dans la base de la baignoire à hydromassage selon le besoin.
- Retirer la pellicule protectrice du rebord. Appliquer du mastic à la silicone de bonne qualité tout autour du rebord de la baignoire à hydromassage.

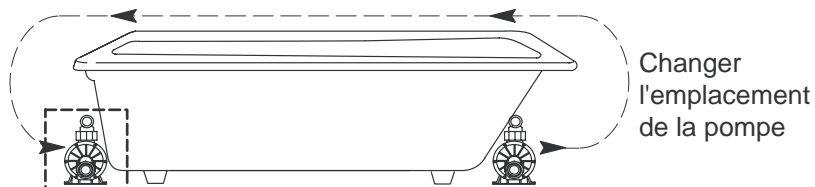
Option d'utilisation de mastic d'étanchéité à la silicone

- Avec de l'assistance, soulever et mettre la baignoire à hydromassage en place avec précaution.

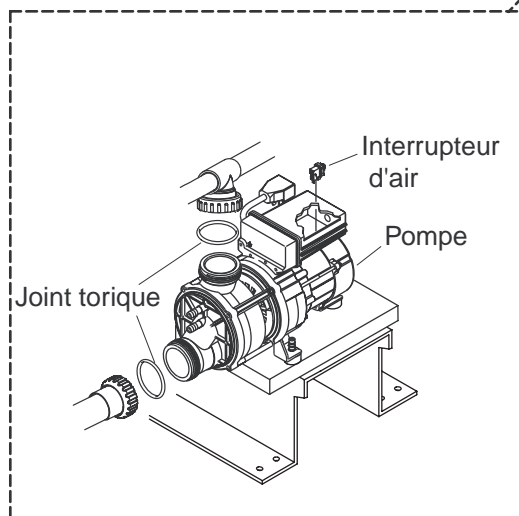
Sécuriser l'unité - Modèles avec base de baignoire à hydromassage (cont.)

- Insérer la pièce de raccordement du drain dans le siphon. Vérifier que la baignoire soit nivelée. Utiliser des vis ou des tire-fonds pour fixer la base de la baignoire au sol. Percer des petits trous-pilotes dans la base de la baignoire à hydromassage selon le besoin.
- Retirer la pellicule protectrice du rebord. Appliquer du mastic à la silicone de bonne qualité tout autour du rebord de la baignoire à hydromassage.

Lors de l'installation de la pompe, s'assurer de retirer les bouchons de la tuyauterie d'entrée et de sortie.



Prévoir un accès d'entretien pour la pompe installée.

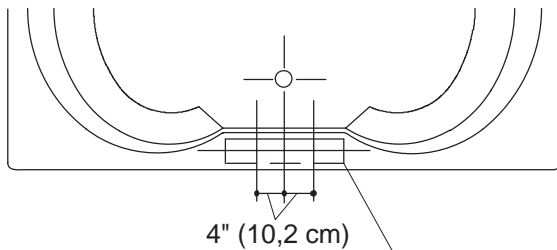


6. Relocaliser et monter la pompe

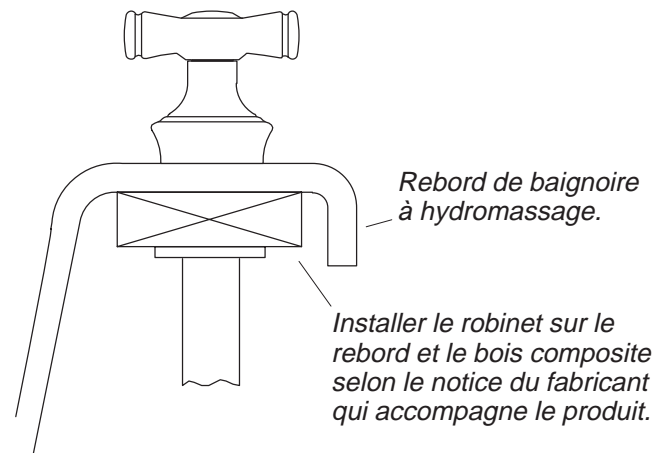
- Relocaliser la pompe et le chauffeau en ligne (si équipé), à côté des raccords sur mesure d'alimentation et d'évacuation du harnais de la baignoire à hydromassage. La pompe peut dépasser du rebord de baignoire à hydromassage.
- Retirer tout emballage protecteur d'autour du harnais de la baignoire à hydromassage. Couper seulement les serres-câbles qui soutiennent les écrous de raccordement.
- Retirer les bouchons de l'entrée et de sortie de la pompe. Installer les joints toriques dans les rainures des raccords d'arrivée et d'évacuation d'eau.
- Placer la pompe sur le support.
- Visser les écrous plastiques de raccordement de la tuyauterie d'arrivée et d'évacuation à la pompe jusqu'au contact du joint torique.
- Serrer chaque écrou d'un quart de tour après contact initial. **Ne pas trop serrer ces écrous.**

REMARQUE : Ne pas ajouter des cales sous la pompe à plus de 1/2" (1,3 cm). Si la pompe est trop élevée, elle ne s'amorcera pas correctement.

- S'assurer que la tuyauterie d'arrivée du harnais de la baignoire à hydromassage (ligne d'aspiration) soit inclinée vers le bas, de la pompe vers le raccord d'aspiration. Ceci est important pour que la pompe purge l'eau correctement. Caler au besoin la pompe pour une meilleure évacuation.
- Sécuriser le support de la pompe avec quatre vis ou avec des tire-fonds (non fournis).
- Connecter la tuyauterie de l'actionneur d'air à l'interrupteur d'air sur la pompe.



Mesurer et couper une pièce de bois composite de 1/2" pour l'extérieur de 4" (10,2 cm) x 11-1/2" (29,2 cm) pour le modèle K-1226, ou de 4" (10,2 cm) x 15-1/2" (39,4 cm) pour le modèle K-1331.



7. Installer la plomberie



ATTENTION : Risque d'endommagement du matériel. Assurer un joint étanche sur le drain de la baignoire à hydromassage.

- Connecter le drain au siphon selon les instructions du fabricant.

AVIS : Un panneau d'accès facilitera une maintenance future.

- Installer les valves du robinet conformément aux instructions du fabricant. Ne pas installer la garniture du robinet avant l'instruction de le faire. Ouvrir les alimentations d'eau chaude et froide et vérifier qu'il n'y ait pas de fuites.
- Laisser couler l'eau dans la baignoire à hydromassage et vérifier s'il y a des fuites dans les connexions du drain.

8. Installer un robinet monté sur rebord

K-1226 et K-1231 uniquement

- Mesurer et couper une pièce de bois plaqué de 1/2" pour l'extérieur de 4" (10,2 cm) x 11-1/2" (29,2 cm) pour le modèle K-1226, ou de 4" (10,2 cm) x 15-1/2" (39,4 cm) pour le modèle K-1231.
- Le robinet devrait être placé au centre de la surface plate du rebord. Se reporter aux instructions du fabricant du robinet. Utiliser un crayon pour marquer l'axe central des trous du robinet.

REMARQUE : Le modèle K-1226 acceptera des robinets à entraxe de 4" (10,2 cm), tandis que le modèle K-1231 acceptera des robinets à entraxe de 4" (10,2 cm) ou de 6" (15,2cm).



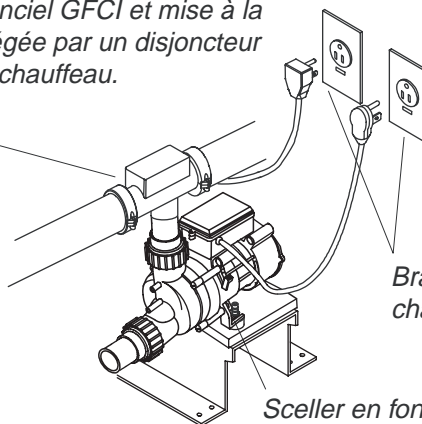
ATTENTION : Risque d'endommagement du produit. Positionner un carton fin sur la surface finie de la baignoire à hydromassage avant de fixer le contreplaqué. S'assurer que les attaches ne soient pas directement au contact de la surface de la baignoire à hydromassage.

- Placer un carton fin sur le rebord de la surface finie du rebord de la baignoire à hydromassage. Positionner le contreplaqué à la base du rebord et le fixer avec attention avec la pince. S'assurer que les attaches soient au contact du carton et non avec la surface de la baignoire à hydromassage.
- Percer délicatement les orifices du robinet selon la taille requise par le fabricant. Retirer les attaches et le carton.
- Installer le robinet sur le rebord et bois contreplaqué selon les instructions du fabricant.
- Ouvrir les alimentations d'eau chaude et froide et vérifier qu'il n'y ait pas de fuites.
- Laisser couler l'eau dans la baignoire à hydromassage et vérifier s'il y a des fuites dans les connexions du drain.

Installer une prise protégée par un disjoncteur différentiel GFCI et mise à la terre de 120V, 15 A. Installer une seconde prise protégée par un disjoncteur de fuite à la terre GFCI pour les modèles "H" pour le chauffeau.

Chauffeau optionnel (**modèles peuvent varier**) soit style en T (illustré) ou prise prise d'eau (non-illustré).

S'assurer que le tube d'actionneur pneumatique soit bien attaché à la pompe ou à la minuterie.



Brancher la pompe et le chauffeau sur ces prises.

Sceller en fonction des codes en vigueur.

REMARQUE: Le modèle de pompe illustré peut varier du produit actuel.

9. Faire les connexions électriques



AVERTISSEMENT : Risque d'électrocution. S'assurer que l'alimentation ait été débranchée avant d'effectuer les procédures suivantes.



AVERTISSEMENT : Risque d'électrocution. Afin de réduire les risques de choc électrique, raccorder la pompe et le chauffeau en ligne (si cette option est incluse) à des réceptacles à prise de terre, protégés par un disjoncteur différentiel. Ne pas retirer les broches de mise à la terre. Ne pas utiliser d'adaptateurs de mise à la terre.

Câblage de pompe

REMARQUE : Le numéro de modèle de la baignoire à hydromassage se trouve sur l'étiquette près de la pompe. Cette étiquette identifie les caractéristiques électriques nominales de la baignoire à hydromassage.

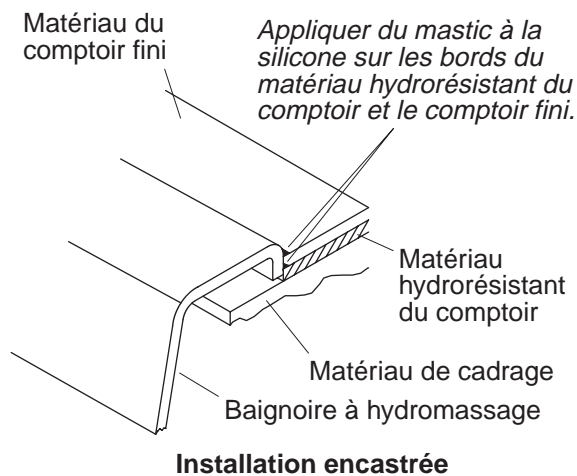
- La baignoire à hydromassage Kohler est dotée d'une fiche et d'un cordon d'alimentation. Tous les câblages de la pompe et de la commande ont été montés en usine. Un électricien agréé doit installer la sortie de mise à la terre de 120 V, 15 A protégée par disjoncteur de fuite à la terre. Aucune autre charge ne doit être montée sur ce circuit. Localiser la prise de courant derrière la baignoire à hydromassage, dans les 24" (61 cm) de la pompe.
- Brancher le cordon d'alimentation de la pompe à cette prise.

REMARQUE : S'assurer d'attacher fermement l'interrupteur d'air à la pompe, et qu'il ne soit ni pincé ou endommagé.

- Si un jeu de relais K-1639 sera utilisé, l'installer à ce moment selon les instructions d'installation incluses.

Câblage de chauffeau en ligne

- **Modèles "H":** Le chauffeau est doté d'une prise et d'un cordon d'alimentation. Tous les câblages du chauffeau ont été effectués en usine. Un électricien agréé doit installer la sortie de mise à la terre de 120 V, 15 A protégée par disjoncteur de fuite à la terre. Aucune autre charge ne doit être montée sur ce circuit. Localiser la prise de courant derrière la baignoire à hydromassage, à [24" (61 cm)] de distance du chauffeau.
- Brancher le chauffeau sur cette prise.



10. Tester la baignoire à hydromassage

- Contrôler toutes les connexions électriques et s'assurer que la baignoire à hydromassage et que le chauffeau soient alimentés.
- S'assurer que tous les raccords à la pompe et au chauffeau soient fermement serrés à la main.
- S'assurer également que les sangles de retenue des pompes ont été sectionnées (si applicable) et que la pompe repose directement sur le sol ou sur la base de baignoire.
- Remplissez la baignoire à au moins 2" (5,1 cm) au-dessus de la buses la plus élevée.
- Faire fonctionner la baignoire à hydromassage pendant 5 minutes et, vérifier que tous les raccords des tuyaux de la baignoire à hydromassage n'aient pas de fuites.
- Pour plus d'information concernant le fonctionnement de la baignoire à hydromassage, se référer à "Confirmer la bon opération."

11. Compléter le mur fini

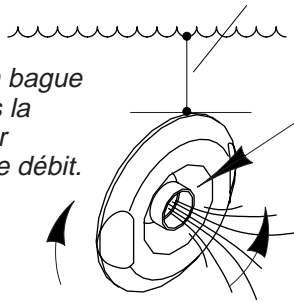
- Retirer soigneusement la pellicule de protection recouvrant la surface de la baignoire à hydromassage si cela n'a pas déjà été fait.
- Recouvrir le cadrage avec du matériau hydrorésistant.
- Poser et appliquer le matériau hydrorésistant du mur. Installer le mur fini sur le matériau hydrorésistant.
- Sceller les joints d'étanchéité entre le bord de la baignoire à hydromassage et le matériau du mur fini avec du mastic à la silicone.
- Installer la garniture du robinet suivant les instructions emballées avec celle-ci.

12. Nettoyage après installation

- Lors du nettoyage après l'installation, **ne pas utiliser de nettoyeur abrasif**, car il pourrait rayer et abîmer la surface de la baignoire à hydromassage. Utiliser de l'eau tiède et un savon doux pour nettoyer la surface.
- Retirer les taches résistantes, peinture, ou goudron avec de l'essence de térébenthine ou un diluant pour peinture. **Ne pas laisser de produits à base de pétrole en contact avec les surfaces de la baignoire à hydromassage pendant une longue période.** Retirer les résidus de plâtre en raclant au moyen d'un bord en bois. Ne pas utiliser de grattoirs en métal, une brosse en fer ou d'autres outils en métal. Utiliser des nettoyeurs en poudre sur un chiffon humide pour une action abrasive douce sur les résidus de plâtre.

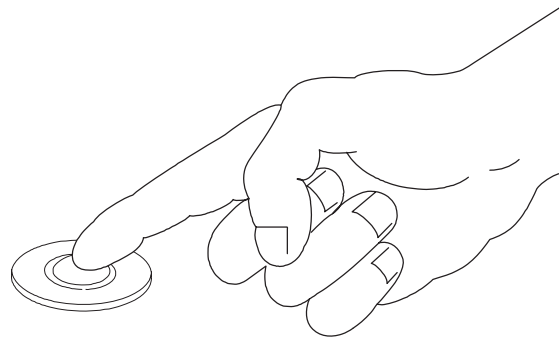
Remplir d'eau de 2" (5,1 cm)
au-dessus du jet le plus élevé.

Tourner la bague
du jet vers la
droite pour
diminuer le débit.



Orienter les jets
pour diriger le
débit d'eau en
position désirée.

Tourner la bague du jet vers la gauche
pour augmenter le débit d'eau.



Appuyer sur l'interrupteur d'air pour activer
ou arrêter la baignoire à hydromassage.

13. Confirmer le bon fonctionnement

Remplir la baignoire à hydromassage

REMARQUE : Veuillez lire avec attention ces étapes avant d'opérer la baignoire à hydromassage.

- Orienter les jets vers le fond du bassin. Tourner les bagues de garniture du jet complètement vers la gauche.
- Remplir la baignoire à au moins 2" (5,1 cm) au-dessus du gicleur le plus élevé.

REMARQUE : La température de la baignoire à hydromassage ne devrait pas excéder 104°F (40° C).

- Pour l'entretien des orifices de débit, introduire un crayon dans la buse de gicleur et retirer le logement. Après avoir retiré tout blocage, inspecter l'orifice pour s'assurer qu'il soit dégagé et le presser dans le logement du jet.

REMARQUE : Ces orifices ne sont installés dans les jets de baignoire à hydromassage que lorsque le système contient six jets ou plus.

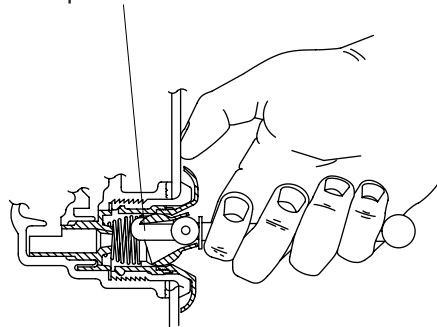
Séquence d'opération

- Appuyer sur l'interrupteur d'air pour activer les jets.
- Ajuster chaque jet pour un mélange optimal d'eau et d'air. Tourner l'anneau à droite pour réduire le débit d'air, ou à gauche pour l'augmenter.
- Si équipé d'un chauffe-eau, celui-ci s'activera automatiquement avec la mise en marche de la pompe, et s'arrêtera quand la pompe est éteinte. Le chauffe-eau ne s'activera pas si la température de l'eau excède 104° F (40° C).
- Appuyer sur l'interrupteur d'air une seconde fois pour arrêter la baignoire à hydromassage.

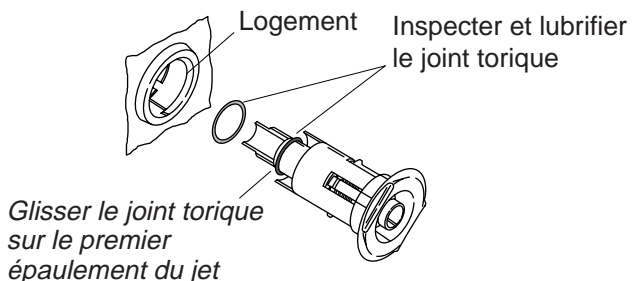
REMARQUE : La minuterie optionnelle K-1639 arrête automatiquement la baignoire à hydromassage après environ 20 minutes de fonctionnement.

Retirer les jets

Insérer l'outil en crochet comme indiqué, et retirer le jet hors de son logement. Le gicleur devrait être vers le haut quand cela sera terminé.



Réinstaller les jets



Insérer le jet dans son logement, tourner et pousser doucement jusqu'à ce qu'il s'enclenche en position

14. Procédures de dépannage

Retirer les jets installés en usine

REMARQUE : Un outil spécial est fourni avec les jets de rechange qui permettra de retirer ceux-ci de la baignoire à hydromassage. Cet outil est aussi fourni avec chaque kit de garniture.

- Positionner le jet de façon à ce qu'il pointe vers le haut.

REMARQUE : Le gicleur doit rester pointé vers le haut pour que l'outil ne glisse pas.

- Insérer l'outil d'extraction, avec son côté crochet vers le haut dans l'ouverture du jet et accrocher la partie supérieure du gicleur.
- Tenir l'outil fermement et placer le pouce contre le mur de la baignoire à hydromassage. Tirer avec force sur l'outil jusqu'à ce que l'ensemble du jet sorte du trou. Faire attention à ne pas perdre le joint torique.

Réinstaller les jets

REMARQUE : Le joint torique doit être positionné correctement, il doit être en bon état et lubrifié de manière adéquate afin d'assurer la rotation et le bon fonctionnement du jet.

- Installer le joint torique sur le **premier rebord** du jet. Lubrifier le joint torique avec de la silicone de lubrification afin d'éviter le fonctionnement bruyant du jet.
- Insérer délicatement le jet dans le logement, puis pousser et pivoter légèrement jusqu'à ce qu'il s'enclenche en place. **Ne pas forcer le jet.**

REMARQUE : Lorsqu'il est bien installé, le jet devrait pivoter aisément dans les deux sens.

Guide de dépannage

Ce guide de dépannage est seulement destiné à une aide générale. Seul un agent agréé de Kohler ou un électricien qualifié devrait corriger tous les problèmes électriques. Pour une réparation sous garantie, contacter le vendeur ou distributeur.

Symptômes	Causes probables	Action recommandée
1. La baignoire à hydromassage ne démarre/s'arrête pas.	A. Pas de courant au moteur. B. L'interrupteur d'air ne fonctionne pas. C. Le tube d'actionneur est débranché, desserré, pincé, bouché ou endommagé.	A. Régler/réinitialiser le disjoncteur différentiel, contrôler le câblage. B. Remplacer l'interrupteur d'air. C. Brancher, serrer, nettoyer ou remplacer la tuyauterie de l'interrupteur d'air.

Procédures de dépannage (cont.)

Symptômes	Causes probables	Action recommandée
	D. Le moteur/pompe ne fonctionne pas.	D. Reconstruire ou remplacer le moteur/pompe.
2. Le moteur démarre, tous les jets ne fonctionnent pas.	A. Le jet est fermé. B. Le jet n'est pas installé correctement. C. Les jets sont bloqués.	A. Tourner la bague du jet vers la gauche pour l'ouvrir. B. Réinstaller le jet; s'assurer que le joint torique ne soit pas endommagé. C. Retirer le blocage.
3. La baignoire à hydromassage s'arrête automatiquement avant 18 minutes.	A. Le disjoncteur GFCI ou ELCB disjoncte. B. L'aspiration est bloquée. C. Les jets sont bloqués. D. Moteur surchauffé et système de protection activé.	A. Identifier la source du problème puis y remédier. B. Retirer l'obstruction. C. Retirer le blocage. D. Vérifier s'il y a blocage aux prises d'air du moteur. Retirer l'obstruction et laisser le moteur refroidir. Vérifier si la conduite d'aspiration n'est pas bouchée. Retirer l'obstruction et laisser le moteur refroidir. Vérifier si les jets sont bouchés. Retirer l'obstruction et laisser le moteur refroidir.
4. La pompe ne s'amorce pas. (Modèles avec des blocs de support seulement).	A. La pompe est en position trop élevée.	A. Abaisser le support de pompe.
5. Fonctionnement bruyant.	A. Les sangles de retenue de la pompe n'ont pas été coupées. (Modèles avec des blocs de support seulement). B. B. Le joint torique est délogé.	A. Couper les sangles de retenue avec des cisailles de ferblantier. B. Retirer le jet, remplacer et lubrifier le joint torique, et réinstaller le jet.
6. Le chauffeau ne fonctionne pas. (Modèles "H" uniquement)	A. Pas de courant au chauffeau. B. La température de l'eau excède 104° F (40° C). C. Le chauffeau ne fonctionne pas.	A. Réinitialiser le disjoncteur différentiel GFCI/ELCB. B. Laisser refroidir et le chauffeau redémarrera. C. Remplacer le chauffeau.

Guía de instalación

Bañera de hidromasaje con bomba a la medida

Información importante



ADVERTENCIA: Al usar aparatos eléctricos, siga siempre las precauciones básicas, incluyendo las siguientes:



PELIGRO: Riesgo de descarga eléctrica. Conecte la unidad solamente a un circuito protegido con un interruptor de circuito con pérdida a tierra (GFCI).

El material de construcción y el cableado se deben colocar lejos del cuerpo de la bomba y de otros componentes que produzcan calor.

Instale la unidad de manera que se permita el acceso para darle servicio.

La conexión a tierra es un requisito. Un representante de servicio autorizado debe instalar esta unidad y conectarla a tierra.



ADVERTENCIA: Riesgo de descarga eléctrica. Un electricista calificado debe realizar todas las conexiones eléctricas.



ADVERTENCIA: Riesgo de descarga eléctrica. Desconecte el suministro eléctrico antes de dar servicio.



ADVERTENCIA: Riesgo de lesiones personales o daños a la propiedad. Lea atentamente todas las instrucciones antes de comenzar la instalación, incluyendo los requisitos detallados a continuación.

AVISO: Cumpla con todos los códigos locales de electricidad y de plomería.

Información sobre el producto

Requisitos eléctricos

La instalación debe contar con un interruptor de circuito con pérdida a tierra (GFCI) de Clase A. El GFCI protege contra el peligro de descarga eléctrica de línea a tierra. Utilice un circuito dedicado de 120 V, 15 A y 60 Hz para la bañera de hidromasaje.

Los modelos "H" requieren un circuito dedicado de 120 V, 15 A y 60 Hz para el calentador.

Avisos sobre el producto



ADVERTENCIA: Las modificaciones no autorizadas pueden causar un funcionamiento peligroso y bajo rendimiento de la bañera de hidromasaje. No cambie la ubicación de la bomba de la bañera de hidromasaje, ni haga otras modificaciones en el sistema de hidromasaje, ya que esto podría tener un efecto adverso en el rendimiento y en el funcionamiento seguro de la bañera de hidromasaje. Kohler Co. no se hace responsable bajo esta garantía o de ninguna otra forma, de las lesiones personales o los daños provocados por modificaciones no autorizadas.

Componentes ensamblados en fábrica

Los componentes instalados en la fábrica incluyen la bomba con cable de alimentación eléctrica y el interruptor de aire, y control de aire. No es necesario instalarlos.

Los modelos "H" vienen equipados con un calentador en línea ensamblado en fábrica.

Es posible adquirir un kit de temporizador para ciertos modelos.

La bomba y las tuberías de la bañera de hidromasaje están montadas en fábrica.

Información importante (cont.)

Acceso a las conexiones y mantenimiento

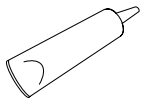
- Antes de instalar, asegúrese de proveer el acceso adecuado a las conexiones finales.

AVISO: Provea acceso sin restricciones para el mantenimiento de la bomba. Se debe proveer acceso para dar servicio a la bomba y los controles. El panel de acceso se debe ubicar justo al lado de la bomba. Consulte el diagrama de instalación incluido con la bañera de hidromasaje.

Contenido

Información importante	1
Herramientas y materiales	2
Gracias por elegir los productos de Kohler	2
Antes de comenzar	3
Prepare el sitio	4
Prepare la bañera de hidromasaje	4
Desconecte la bomba	4
Fije la unidad - Modelos con bloques de soporte	5
Fije la unidad - Modelos con base de bañera de hidromasaje	7
Cambie el lugar de instalación y monte la bomba	9
Instale la plomería	10
Instale una grifería de montaje en el borde	10
Realice las conexiones eléctricas	12
Pruebe el funcionamiento de la bañera de hidromasaje	13
Termine la pared acabada	13
Limpieza después de la instalación	13
Confirme el funcionamiento correcto	14
Procedimientos para resolver problemas	15

Herramientas y materiales



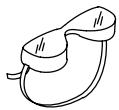
Sellador



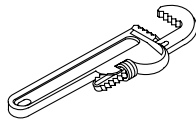
Cinta para medir



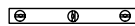
Lápiz



Lentes de seguridad



Llave para tubo



Nivel

Más:

- Herramientas y materiales convencionales para trabajar la madera
- Lona para el piso
- Adhesivo de construcción (opcional)
- Cemento o mortero (opcional)
- Postes de 2 x 4 ó 2 x 6

Gracias por elegir los productos de Kohler

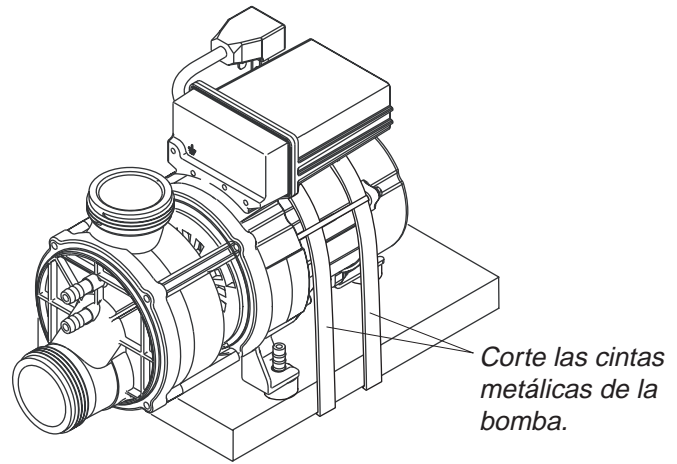
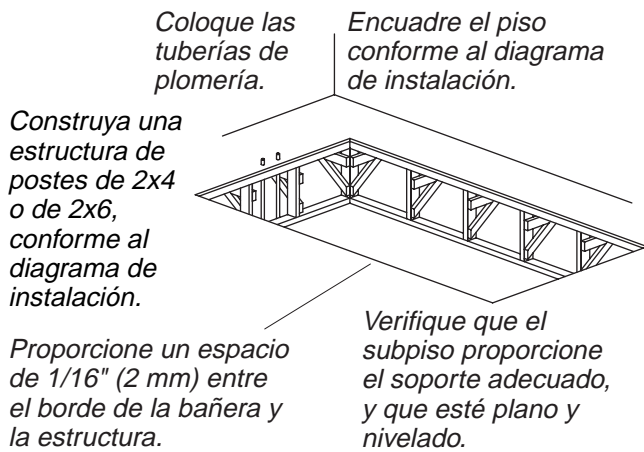
Le agradecemos que haya elegido la calidad de Kohler. Dedique unos minutos para leer este manual antes de comenzar la instalación. En caso de problemas de instalación o de funcionamiento, no dude en contactarnos. Nuestros números de teléfono y nuestro sitio web se encuentran en la cubierta posterior de esta guía. Gracias nuevamente por escoger a Kohler.

Antes de comenzar



PRECAUCIÓN: Riesgo de daños al producto. No levante la bañera de hidromasaje por los tubos o la bomba, ni use los tubos o la bomba como soporte estructural de la bañera de hidromasaje.

- Recomendamos que instale esta bañera de hidromasaje en instalación de sobreponer.
- Verifique que la bañera de hidromasaje no esté dañada antes de iniciar la instalación.
- Es necesario instalar la bañera de hidromasaje en un subpiso nivelado y con suficiente soporte.
- Confirme que haya suficiente espacio para montar y conectar la grifería especificada para su instalación.



1. Prepare el sitio

AVISO: A menos que se especifique lo contrario, el soporte del piso debajo de la bañera de hidromasaje debe poder sostener una carga mínima de 80 lbs/pie cuadrado (390 kg/metro cuadrado).

AVISO: No apoye la bañera de hidromasaje por los bordes.

- Asegúrese de que el piso ofrezca suficiente soporte para su bañera de hidromasaje y que el subpiso esté plano y nivelado.
- La bañera de hidromasaje debe instalarse sobrepuesta. Construya una estructura de postes de 2x4 ó 2x6 diseñada para su instalación en particular. Provea un espacio de 1/16" (2 mm) entre la parte inferior del borde de la bañera de hidromasaje y la estructura de postes. Construya la estructura del piso o construya una estructura para una instalación elevada, conforme a la información del diagrama de instalación provista con la bañera de hidromasaje.
- Trace y corte con cuidado el material de la cubierta no acabada. Si se ha incluido, utilice la plantilla de corte, o en su defecto, consulte la información en el diagrama de instalación.
- Instale las tuberías de plomería según el diagrama de instalación provisto. Cierre los suministros y verifique que no haya fugas.

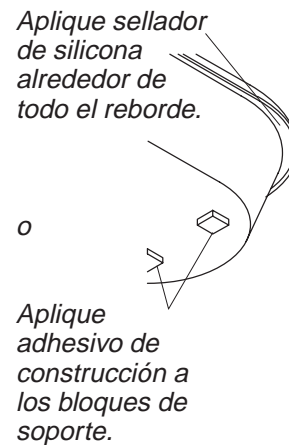
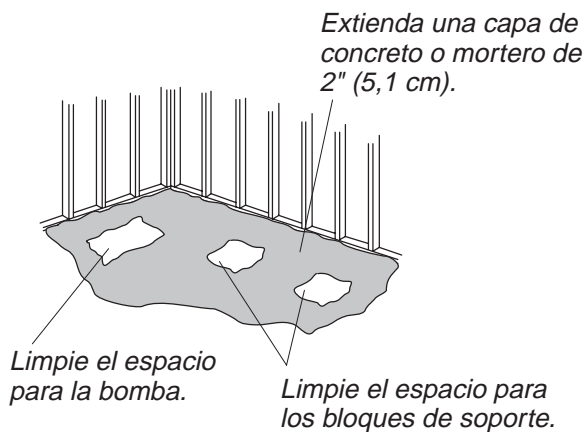
2. Prepare la bañera de hidromasaje

- Instale el desagüe en la bañera de hidromasaje según las instrucciones del fabricante. Aún no conecte la trampa.
- Coloque una lona gruesa limpia o un material similar en el fondo de la bañera de hidromasaje. Tenga cuidado de no rayar la superficie de la bañera de hidromasaje.



3. Desconecte la bomba

NOTA: No es necesario cortar el arnés (los tubos) de la bañera de hidromasaje para esta instalación. Cualquier corte en el arnés de la bañera anulará la garantía.

- Desconecte la bomba y el calentador en línea (de estar equipado) del soporte de transporte, cortando las dos cintas con tijeras de chapa.
- Coloque la bomba y el calentador en línea (de estar equipado) a un lado.
- Coloque la bomba y el calentador (de estar equipado) junto a las conexiones de entrada/salida a la medida, del arnés de la bañera de hidromasaje. Es posible que la bomba sobresalga del borde de la bañera. Consulte los detalles de instalación.



4. Fije la unidad - Modelos con bloques de soporte

-  **PRECAUCIÓN: Riesgo de daños al producto.** No levante la bañera de hidromasaje por los tubos o la bomba, ni use los tubos o la bomba como soporte estructural de la bañera de hidromasaje.
-  **PRECAUCIÓN: Riesgo de daños al producto.** No apoye la bañera de hidromasaje por los bordes.
- Elija la opción de instalación más apropiada para su instalación en particular. Siga las instrucciones correspondientes.
- Si el subpiso no está nivelado, acuñe los bloques de soporte de la bañera de hidromasaje según sea necesario.

Opción que utiliza una capa de cemento o mortero

NOTA: No utilice cemento de yeso o pasta para paneles de yeso con esta aplicación, puesto que no proporcionarán una adherencia aceptable ni duradera.

NOTA: El soporte de la bomba (cuando las cintas metálicas están cortadas) y los bloques de soporte deben descansar directamente sobre el subpiso.

- Extienda una capa de 2" (5,1 cm) de cemento o mortero en el subpiso donde se instalará la bañera de hidromasaje. Esto ayudará a fijar, nivelar y dar soporte a la unidad. Limpie el mortero o cemento de la zona donde se instalarán los soportes de la bomba y los bloques de soporte.
- Coloque un pedazo de lona gruesa de plástico sobre el cemento o mortero. Obtenga ayuda para colocar la bañera de hidromasaje en su lugar y verifique que el soporte de la bomba y los bloques de soporte no se apoyen sobre la capa de material.
- Inserte el tubo de desagüe en la trampa. Asegúrese de que la bañera de hidromasaje esté nivelada y apoyada sobre todos los bloques de soporte.
- Retire la cinta protectora del borde. Aplique una tira continua de sellador de silicona de buena calidad alrededor de todo el borde de la bañera de hidromasaje.

Opción que utiliza adhesivo de construcción

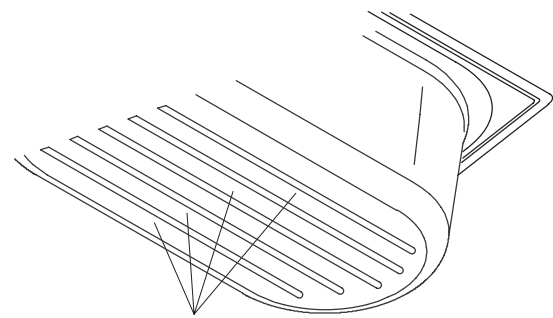
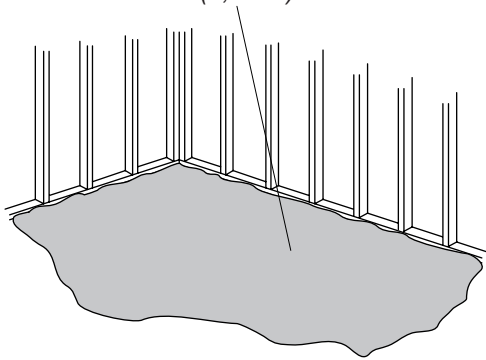
- Aplique una cantidad abundante de adhesivo de construcción de alta calidad en la base de los bloques de soporte. Obtenga ayuda para colocar con cuidado la bañera de hidromasaje en su lugar.
- Inserte el tubo de desagüe en la trampa. Asegúrese de que la bañera de hidromasaje esté nivelada y apoyada sobre todos los bloques de soporte.
- Retire la cinta protectora del borde. Aplique una tira continua de sellador de silicona de buena calidad alrededor de todo el borde de la bañera de hidromasaje.

Opción que utiliza sellador de silicona

Fije la unidad - Modelos con bloques de soporte (cont.)

- Obtenga ayuda para colocar con cuidado la bañera de hidromasaje en su lugar.
- Inserte el tubo de desagüe en la trampa. Asegúrese de que la bañera de hidromasaje esté nivelada y apoyada sobre todos los bloques de soporte.
- Retire la cinta protectora del borde. Aplique una tira continua de sellador de silicona de buena calidad alrededor de todo el borde de la bañera de hidromasaje.

Extienda una capa de cemento o mortero de 2" (5,1 cm).



Aplique adhesivo de construcción a la base de la bañera de hidromasaje.

5. Fije la unidad - Modelos con base de bañera de hidromasaje



PRECAUCIÓN: Riesgo de daños al producto. No levante la bañera de hidromasaje por los tubos o la bomba, ni use los tubos o la bomba como soporte estructural de la bañera de hidromasaje.



PRECAUCIÓN: Riesgo de daños al producto. No apoye la bañera de hidromasaje por los bordes.

- Elija la opción de instalación más apropiada para su instalación en particular. Siga las instrucciones correspondientes.
- Si el subpiso no está nivelado, será necesario acuñar la base de la bañera.

Opción que utiliza una capa de cemento o mortero

NOTA: No utilice cemento de yeso o pasta para paneles de yeso con esta aplicación, puesto que no proporcionarán una adherencia aceptable ni duradera.

- Extienda una capa de 2" (5,1 cm) de cemento o mortero en el subpiso donde se instalará la bañera de hidromasaje. Esto ayudará a fijar, nivelar y dar soporte a la unidad.
- Coloque un pedazo de lona gruesa de plástico sobre el cemento o mortero. Obtenga ayuda para colocar con cuidado la bañera de hidromasaje en su lugar.
- Inserte el tubo de desagüe en la trampa. Verifique que la bañera de hidromasaje esté nivelada. Utilice tornillos o pernos de fijación para fijar la base de la bañera de hidromasaje al piso. Taladre pequeños orificios guía en la base de la bañera, según sea necesario.
- Retire la cinta protectora del borde. Aplique una tira continua de sellador de silicona de buena calidad alrededor de todo el borde de la bañera de hidromasaje.

Opción que utiliza adhesivo de construcción

- Aplique una cantidad abundante de adhesivo de construcción de alta calidad por debajo de la base de la bañera de hidromasaje. Obtenga ayuda para colocar con cuidado la bañera de hidromasaje en su lugar.
- Inserte el tubo de desagüe en la trampa. Verifique que la bañera de hidromasaje esté nivelada. Utilice tornillos o pernos de fijación para fijar la base de la bañera de hidromasaje al piso. Taladre pequeños orificios guía en la base de la bañera, según sea necesario.
- Retire la cinta protectora del borde. Aplique una tira continua de sellador de silicona de buena calidad alrededor de todo el borde de la bañera de hidromasaje.

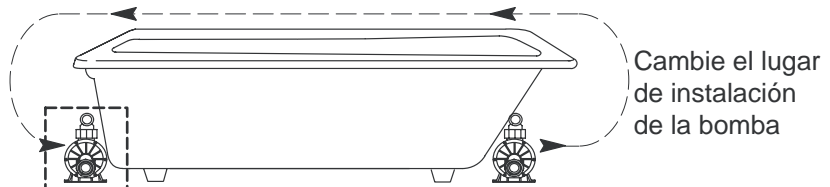
Opción que utiliza sellador de silicona

- Obtenga ayuda para colocar con cuidado la bañera de hidromasaje en su lugar.

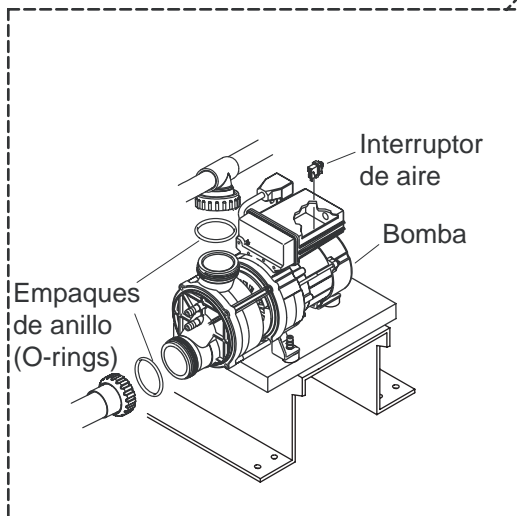
Fije la unidad - Modelos con base de bañera de hidromasaje (cont.)

- Inserte el tubo de desagüe en la trampa. Verifique que la bañera de hidromasaje esté nivelada. Utilice tornillos o pernos de fijación para fijar la base de la bañera de hidromasaje al piso. Taladre pequeños orificios guía en la base de la bañera, según sea necesario.
- Retire la cinta protectora del borde. Aplique una tira continua de sellador de silicona de buena calidad alrededor de todo el borde de la bañera de hidromasaje.

Al instalar la bomba, asegúrese de quitar los tapones de la tubería de entrada y salida.



Facilite el acceso a la bomba instalada para el mantenimiento futuro.

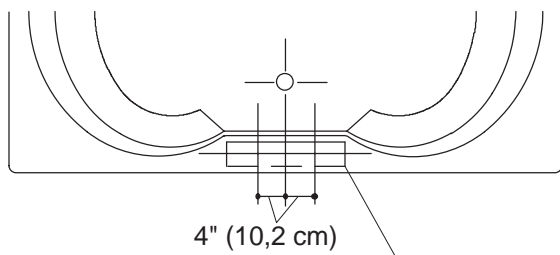


6. Cambie el lugar de instalación y monte la bomba

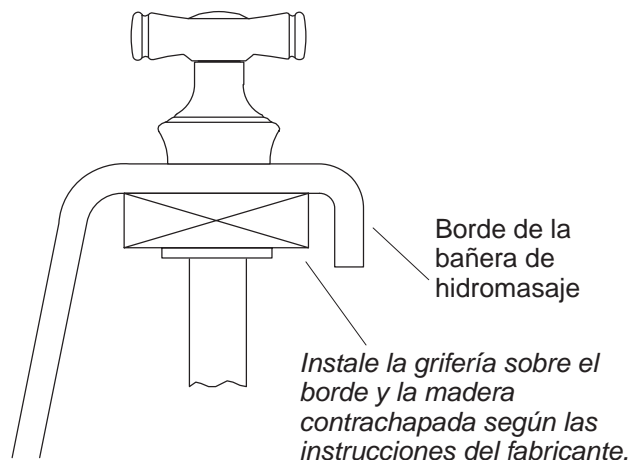
- Cambie el lugar de instalación de la bomba y el calentador en línea (de estar equipado) junto a las conexiones a la medida de entrada y salida del arnés de la bañera de hidromasaje. Es posible que la bomba sobresalga del borde de la bañera de hidromasaje.
- Retire el embalaje protector de las tuberías de la bañera de hidromasaje. Corte únicamente los sujetacables que sujetan las tuercas de unión.
- Retire los obturadores de las aberturas de entrada y salida de la bomba. Instale los empaques de anillo (O-ring) en las ranuras de los conectores de entrada y salida.
- Coloque la bomba sobre el soporte.
- Enrosque las tuercas plásticas de sujeción de entrada y salida a la bomba hasta que los empaques de anillo (O-ring) hagan contacto inicial.
- Apriete cada tuerca un cuarto de vuelta después del contacto inicial. **No apriete demasiado estas tuercas.**

NOTA: No acúñe la bomba más de 1/2" (1,3 cm). Si se eleva demasiado, la bomba no cebará correctamente.

- Asegúrese de que la tubería de entrada del arnés de la bañera de hidromasaje (línea de succión) esté inclinada hacia abajo desde la bomba, hacia las conexiones de succión. Este paso es importante para que la bomba vacíe el agua correctamente. Coloque cuñas debajo de la bomba de ser necesario, para facilitar un buen desagüe.
- Fije el soporte de la bomba con cuatro tornillos o pernos de fijación (no incluidos).
- Conecte el tubo del accionador de aire al interruptor de aire en la bomba.



Mida y corte un trozo de madera contrachapada para exteriores de 1/2", a 4" (10,2 cm) x 11-1/2" (29,2 cm) para el modelo K-1226, o a 4" (10,2 cm) x 15-1/2" (39,4 cm) para el modelo K-1331.



7. Instale la plomería

⚠ PRECAUCIÓN: Riesgo de daños a la propiedad. Asegúrese de que haya un sellado impermeable en el desagüe de la bañera de hidromasaje.

- Conecte el desagüe a la trampa según las instrucciones del fabricante del desagüe.

AVISO: Un panel de acceso facilitará el mantenimiento futuro.

- Instale las válvulas de la grifería según las instrucciones del fabricante de la grifería. No instale la guarnición de la grifería hasta que se le indique. Abra los suministros del agua caliente y fría, y compruebe que no haya fugas en las conexiones de suministro.
- Haga que el agua circule en la bañera de hidromasaje y compruebe que no haya fugas en las conexiones del desagüe.

8. Instale una grifería de montaje en el borde

K-1226 y K-1231 solamente

- Mida y corte una pieza de madera contrachapada de 1/2" para exteriores, de 4" (10,2 cm) x 11-1/2" (29,2 cm) para el modelo K-1226, o de 4" (10,2 cm) x 15-1/2" (39,4 cm) para el modelo K-1231.
- La grifería debe estar en el centro del área plana en el borde. Siga las instrucciones del fabricante de la grifería. Marque con un lápiz las líneas centrales de la grifería para taladrar los orificios.

NOTA: El modelo K-1226 acepta griferías con centros a 4" (10,2 cm), y el modelo K-1231 acepta griferías con centros a 4" (10,2 cm) o centros a 6" (15,2 cm).

⚠ PRECAUCIÓN: Riesgo de daños al producto. Coloque un trozo de cartón delgado sobre la superficie acabada de la bañera de hidromasaje, antes de fijar la madera contrachapada en su lugar. Asegúrese de que las grapas no estén en contacto directo con la superficie acabada de la bañera de hidromasaje.

- Coloque un trozo de cartón delgado sobre la superficie acabada del borde de la bañera. En el dorso del borde, coloque la madera contrachapada y fíjela cuidadosamente con las grapas de sujeción en su lugar. Asegúrese de que las grapas de sujeción entren en contacto con el cartón y no con la superficie acabada de la bañera de hidromasaje.
- Con cuidado taladre los orificios para la grifería según el tamaño indicado por el fabricante. Retire las grapas de sujeción y el cartón.
- Instale la grifería en el borde y la madera contrachapada según las instrucciones del fabricante de la grifería.
- Abra los suministros del agua caliente y fría, y compruebe que no haya fugas en las conexiones de suministro.

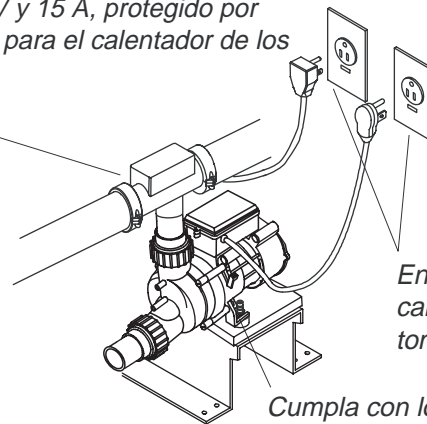
Instale una grifería de montaje en el borde (cont.)

- Haga que el agua circule en la bañera de hidromasaje y compruebe que no haya fugas en las conexiones del desagüe.

Instale un tomacorriente conectado a tierra, de 120 V y 15 A, protegido por GFCI. Instale otro tomacorriente protegido por GFCI para el calentador de los modelos "H".

Calentador opcional
(el modelo puede variar)
de estilo T (ilustrado) o de
toma de agua (no ilustrado).

Verifique que la tubería del accionador de aire
esté bien conectada a la bomba o al temporizador
opcional.



Enchufe la bomba y el
calentador en estos
tomacorrientes.

Cumpla con los códigos correspondientes.

NOTA: Es posible que el modelo de bomba ilustrado sea diferente al producto que haya adquirido.

9. Realice las conexiones eléctricas



ADVERTENCIA: Riesgo de descarga eléctrica. Asegúrese de desconectar la corriente eléctrica antes de realizar el siguiente procedimiento.



ADVERTENCIA: Riesgo de descarga eléctrica. Para reducir el riesgo de descarga eléctrica, conecte la bomba y el calentador en línea (de estar incluida la opción del calentador) a tomacorrientes correctamente conectados a tierra, protegidos con un interruptor de circuito con pérdida a tierra (GFCI). No retire las patas de conexión a tierra de los enchufes. No utilice adaptadores de conexión a tierra.

Cableado de la bomba

NOTA: El número de modelo de la bañera de hidromasaje está impreso en una etiqueta cerca de la bomba de la bañera de hidromasaje. Esta etiqueta también identifica la capacidad nominal eléctrica de la bañera de hidromasaje.

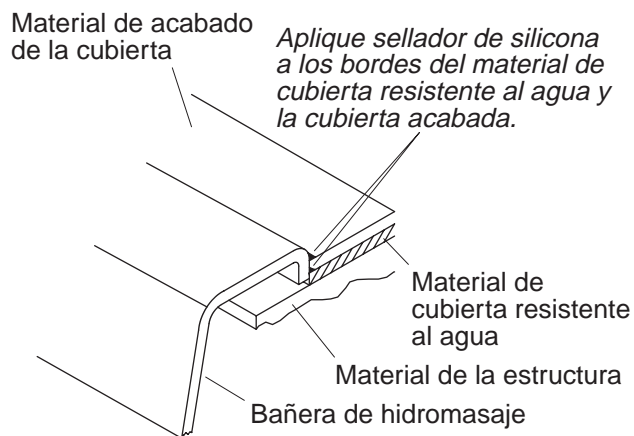
- La bañera de hidromasaje Kohler está equipada con un cable y un enchufe. Todo el cableado de la bomba y el control se ha realizado en fábrica. Un electricista calificado debe instalar un tomacorriente conectado a tierra, de 120 V, 15 A y protegido por un interruptor GFCI. Este circuito no debe tener ninguna otra carga. Coloque el tomacorriente detrás de la bañera de hidromasaje y a menos de 24" (61 cm) de la bomba.
- Enchufe la bomba en este tomacorriente.

NOTA: Asegúrese de que el tubo del accionador de aire esté bien conectado a la bomba y que no esté doblado o dañado.

- Si se emplea el kit de temporizador K-1639, instálelo ahora conforme a las instrucciones incluidas.

Cableado del calentador en línea

- **Modelos "H":** El calentador está equipado de un cable y un enchufe. Todo el cableado del calentador se ha realizado en fábrica. Un electricista calificado debe instalar un tomacorriente conectado a tierra, de 120 V, 15 A y protegido por un interruptor GFCI. Este circuito no debe tener ninguna otra carga. Coloque el tomacorriente detrás de la bañera de hidromasaje y a menos de 24" (61 cm) del calentador.
- Enchufe el calentador en este tomacorriente.



Instalación de sobreponer

10. Pruebe el funcionamiento de la bañera de hidromasaje

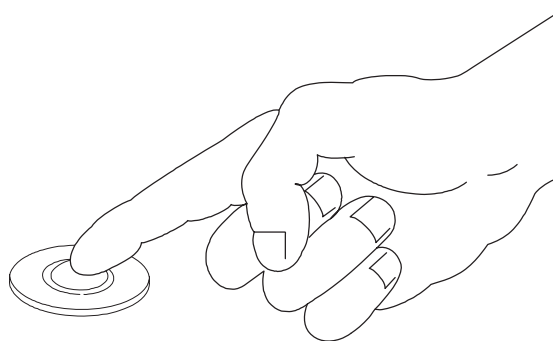
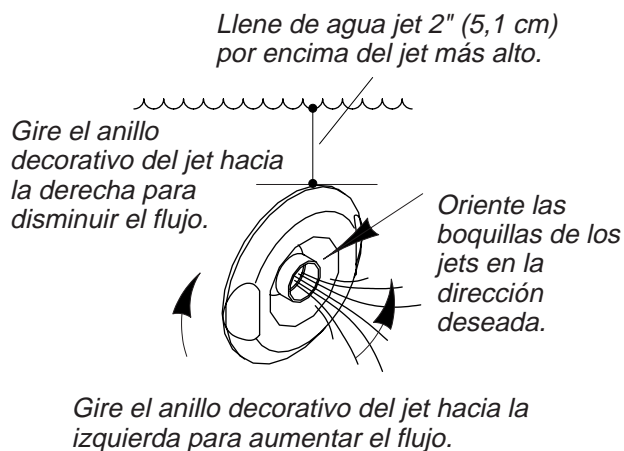
- Revise todas las conexiones eléctricas y asegúrese de que la bañera de hidromasaje y el calentador (de estar equipado) tengan alimentación eléctrica.
- Asegúrese de que todas las conexiones de unión de la bomba y el calentador estén bien apretadas a mano.
- Verifique que las cintas metálicas de la bomba estén cortadas (de ser pertinente) y que la bomba descansa directamente en el subpiso o la base de la bañera de hidromasaje.
- Llene la bañera de hidromasaje al menos 2" (5,1 cm) por encima del jet más alto.
- Deje funcionar la bañera de hidromasaje durante 5 minutos, revise todas las conexiones de las tuberías y verifique que no haya fugas.
- Para obtener información adicional acerca del funcionamiento de la bañera de hidromasaje, consulte la sección "Confirme el funcionamiento correcto".

11. Termine la pared acabada

- Retire con cuidado la cinta protectora del borde de la bañera de hidromasaje, si aún no lo ha hecho.
- Cubra la estructura con material de pared resistente al agua.
- Adhiera el material de pared resistente al agua con cinta y yeso. Instale la pared acabada con el material resistente al agua.
- Selle las juntas entre el borde de la bañera de hidromasaje y el material de la pared acabada utilizando sellador de silicona.
- Instale la guarnición de la grifería conforme a las instrucciones incluidas con la guarnición.

12. Limpieza después de la instalación

- Al limpiar después de la instalación, **no utilice productos de limpieza abrasivos**, pues pueden rayar y opacar la superficie de la bañera de hidromasaje. Utilice agua tibia y detergente líquido para limpiar la superficie.
- Limpie las manchas difíciles de quitar, la pintura y el alquitrán con aguarrás o diluyente de pintura. **No permita que los productos de limpieza que contengan destilados de petróleo permanezcan en contacto con la superficie de la bañera de hidromasaje por periodos prolongados.** El yeso se puede eliminar raspando con un canto de madera. No utilice raspadores de metal, cepillos de alambre ni otras herramientas metálicas. Se puede utilizar un detergente en polvo con un trapo húmedo para proporcionar una acción abrasiva suave en los residuos de yeso.



Presione el accionador de aire para encender
o apagar la bañera de hidromasaje.

13. Confirme el funcionamiento correcto

Llene la bañera de hidromasaje

NOTA: Por favor, lea atentamente estos pasos antes de activar la bañera de hidromasaje.

- Coloque las boquillas de los jets de manera que miren hacia abajo en la bañera. Gire el anillo decorativo de los jets totalmente hacia la izquierda.
- **Llene la bañera de hidromasaje al menos 2" (5,1 cm) por encima del jet más alto.**

NOTA: La temperatura del agua en la bañera de hidromasaje no debe exceder de 104° F (40° C).

- Para dar servicio a los diafragmas, introduzca un lápiz en la boquilla del jet y saque el diafragma. Después de eliminar la obstrucción que pueda haber, verifique que el diafragma esté limpio y presiónelo en el alojamiento del jet.

NOTA: Los diafragmas sólo se instalan en los jets de bañeras de hidromasaje que tienen seis o más jets en el sistema de hidromasaje.

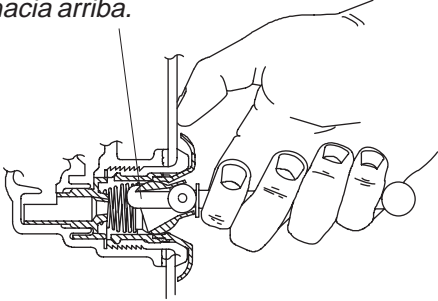
Secuencia de funcionamiento

- Presione el accionador de aire para encender los jets de la bañera de hidromasaje.
- Ajuste cada jet para obtener una mezcla óptima de aire/agua. Gire el anillo decorativo hacia la derecha para reducir el flujo de aire, y hacia la izquierda para aumentarlo.
- Si está equipado con un calentador, el calentador se activará automáticamente al encenderse la bomba y se desactivará cuando se apague la bomba. El calentador no se activará si la temperatura del agua excede 104° F (40° C).
- Vuelva a oprimir el accionador de aire por segunda vez para apagar la bañera de hidromasaje.

NOTA: El kit de temporizador opcional K-1639 detiene la bañera de hidromasaje automáticamente después de 20 minutos de funcionamiento.

Extraiga los jets

Inserte el gancho de la herramienta tal como se ilustra y saque el jet del alojamiento. Al realizar este paso el jet debe estar orientado hacia arriba.



Reinstale los jets

Deslice el empaque de anillo (O-Ring) por el primer reborde del jet.

Revisé y lubrique el empaque de anillo (O-Ring).

Inserte el jet en el alojamiento, empuje y gire el jet levemente hasta que encaje en su lugar.

14. Procedimientos para resolver problemas

Extraiga los jets instalados en fábrica

NOTA: Se ha incluido una herramienta especial junto a los jets de repuesto, para extraer los jets de la bañera de hidromasaje. Esta herramienta también se incluye con cada kit de guarnición.

- Coloque la boquilla esférica del jet de manera que apunte hacia arriba.

NOTA: La boquilla debe seguir apuntando hacia arriba, de lo contrario la herramienta se resbalará.

- Inserte la herramienta de extracción con el gancho hacia arriba en la abertura del jet y enganche la parte superior en la boquilla.
- Sostenga la herramienta con fuerza y coloque el dedo pulgar contra la pared de la bañera de hidromasaje. Jale la herramienta uniformemente hasta que el montaje del jet salga del orificio. Tenga cuidado de no perder el empaque de anillo (O-ring).

Reinstale los jets

NOTA: El empaque de anillo (O-ring) del jet debe estar correctamente colocado, lubricado y en buenas condiciones para que el jet pueda girar fácilmente y funcione bien.

- Instale el empaque de anillo (O-ring) en el **primer reborde** del jet. Lubrique el empaque de anillo (O-ring) con lubricante de silicona para evitar que el jet haga ruido.
- Inserte con cuidado el jet en el alojamiento, empuje levemente y gire el jet hasta que encaje en su lugar. **No fuerce el jet.**

NOTA: Cuando está instalado correctamente, el jet gira sin problemas en ambos sentidos.

Guía para resolver problemas

Esta guía para resolver problemas está diseñada únicamente como ayuda general. Un representante de servicio autorizado de Kohler o un electricista calificado debe resolver todos los problemas eléctricos. Para obtener servicio cubierto por la garantía, póngase en contacto con el vendedor o el distribuidor mayorista.

Síntomas	Causas probables	Acción recomendada
1. La bañera de hidromasaje no se enciende o apaga.	A. El motor no tiene alimentación eléctrica. B. El accionador de aire no funciona.	A. Presione el botón (reset) de restablecer la corriente eléctrica del interruptor GFCI o ELCB; revise el cableado. B. Reemplace el accionador de aire.

Procedimientos para resolver problemas (cont.)

Síntomas	Causas probables	Acción recomendada
	<p>C. El tubo del accionador de aire está desconectado, flojo, doblado, tapado o dañado.</p> <p>D. El motor/bomba no funciona.</p>	<p>C. Conecte, enderece, limpie o reemplace el tubo del accionador de aire.</p> <p>D. Repare o reemplace el motor/bomba.</p>
<p>2. El motor se enciende, no todos los jets funcionan.</p>	<p>A. El jet está cerrado.</p> <p>B. El jet no está instalado correctamente.</p> <p>C. Los jets están obstruidos.</p>	<p>A. Gire el anillo decorativo del jet hacia la izquierda para abrirlo.</p> <p>B. Reinstale el jet; compruebe que el empaque de anillo (O-ring) no esté dañado.</p> <p>C. Elimine la obstrucción.</p>
<p>3. La bañera de hidromasaje se detiene automáticamente antes de 18 minutos.</p>	<p>A. El interruptor GFCI o ELCB se ha disparado.</p> <p>B. La succión está obstruida.</p> <p>C. Los jets están obstruidos.</p> <p>D. El motor se ha sobrecalentado, activando el dispositivo de protección.</p>	<p>A. Identifique la causa de la falla y corrija.</p> <p>B. Elimine la obstrucción.</p> <p>C. Elimine la obstrucción.</p> <p>D. Verifique que no haya obstrucciones en las ventilaciones del motor. Elimine la obstrucción y deje enfriar el motor. Verifique que no haya obstrucciones en la succión. Elimine la obstrucción y deje enfriar el motor. Verifique que no haya obstrucciones en los jets. Elimine la obstrucción y deje enfriar el motor.</p>
<p>4. La bomba no hace el cebado. (Modelos con bloques de soporte únicamente).</p>	<p>A. La bomba se ha acuñado demasiado.</p>	<p>A. Baje el soporte de la bomba.</p>
<p>5. Funcionamiento ruidoso.</p>	<p>A. Las cintas metálicas de la bomba no se han cortado. (Modelos con bloques de soporte únicamente).</p> <p>B. El empaque de anillo (O-ring) del jet está mal colocado.</p>	<p>A. Corte las cintas metálicas con unas tijeras para chapa.</p> <p>B. Extraiga el jet, reemplace y lubrique el empaque de anillo (O-ring); vuelva a instalar el jet.</p>
<p>6. El calentador no funciona. (Modelos "H" solamente)</p>	<p>A. El calentador no tiene alimentación eléctrica.</p> <p>B. La temperatura del agua sobrepasa los 104° F (40° C).</p> <p>C. El calentador no funciona.</p>	<p>A. Presione el botón (reset) de restablecer la corriente eléctrica del interruptor GFCI o ELCB.</p> <p>B. Deje que el agua se enfríe y el calentador se activará.</p> <p>C. Reemplace el calentador.</p>

USA: 1-800-4-KOHLER
Canada: 1-800-964-5590
México: 001-877-680-1310

kohler.com

THE BOLD LOOK
OF **KOHLER**®

©2006 Kohler Co.

1055820-2-A