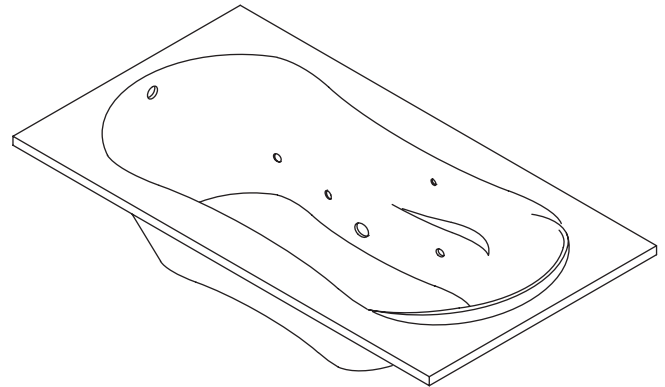


ACRYLIC CUSTOM BATH WHIRLPOOL K-1157-CN

Features

- Acrylic
- 1.25 hp pump with air switch and grounding-type plug-in cord
- 6 individually adjustable ProFlex® hydro-massage jets
- Drop-in
- Molded lumbar supports and armrests
- Optional K-1283 removable apron
- Optional K-9696 whirlpool trim kit in various finishes
- Optional K-1717 ProFlex® 20-minute timer kit
- 72" (182.9 cm) x 36" (91.4 cm) x 20-1/8" (51.1 cm)



Codes/Standards Applicable

Specified model meets or exceeds the following:

- ASME A112.19.7M
- ANSI Z124.1.2
- IAPMO/UPC
- Underwriters Laboratories (UL)

Colors/Finishes

- 0: White
- Other: Refer to Price Book for additional colors/finishes

Accessories

- 0: White
- CP: Polished Chrome
- PB: Vibrant® Polished Brass
- NA: None applicable
- Other: Refer to Price Book for additional colors/finishes

Specified Model

Model	Description	Colors/Finishes	
K-1157-CN	Bath whirlpool, drop-in, custom pump	<input type="checkbox"/> 0	<input type="checkbox"/> Other_____
Recommended Accessories			
K-7213	Cable drain with PVC tubing OR	<input type="checkbox"/> CP	<input type="checkbox"/> Other_____
K-7214	Cable drain without PVC tubing OR	<input type="checkbox"/> CP	<input type="checkbox"/> Other_____
K-11677	Trip lever drain	<input type="checkbox"/> CP	<input type="checkbox"/> PB

Product Specification

The acrylic drop-in bath whirlpool shall be 72" (182.9 cm) in length, 36" (91.4 cm) in width, and 20-1/8" (51.1 cm) in height. Bath whirlpool shall have six individually adjustable ProFlex hydro-massage jets, a 1.25 hp pump with air switch and grounding-type plug-in cord. Bath whirlpool shall have molded lumbar supports and armrests. Bath whirlpool shall have an optional K-1283 separate apron, an optional K-1717 20-minute timer kit, and an optional K-9696 jet trim kit. Bath whirlpool shall be Kohler Model K-1157-CN-_____.

PROFLEX® 7236

Optional Accessories

K-1283	Separate apron with removable panel for front access	<input type="checkbox"/> 0	<input type="checkbox"/> Other_____
K-1717	ProFlex® 20-minute timer kit		<input type="checkbox"/> NA
K-9696	Jet trim kit (metal finishes)	<input type="checkbox"/> CP	<input type="checkbox"/> PB <input type="checkbox"/> Other_____

Technical Information

Fixture*:	
Basin area:	
Bathing well	55" (139.7 cm) x 21" (53.3 cm)
Top area	65" (165.1 cm) x 26" (66 cm)
To overflow:	
Water depth	15" (38.1 cm)
Capacity	72 gal (272.5 L)
Weight	66 lbs (29.9 kg)
Drop-in cut-out	70-1/2" (179.1 cm) x 34-1/2" (87.6 cm)
* Approximate measurements for comparison only.	

Pump:	Hp	V	Hz	A
1-speed	1.25	120	60	7.5

Required Electrical Service

Dedicated circuit required, protected with Class A Ground-Fault Circuit-Interrupter (GFCI):

Pump/control 120 V, 15 A, 60 Hz

Locate the outlet behind the whirlpool and within 24" (61 cm) of the pump.

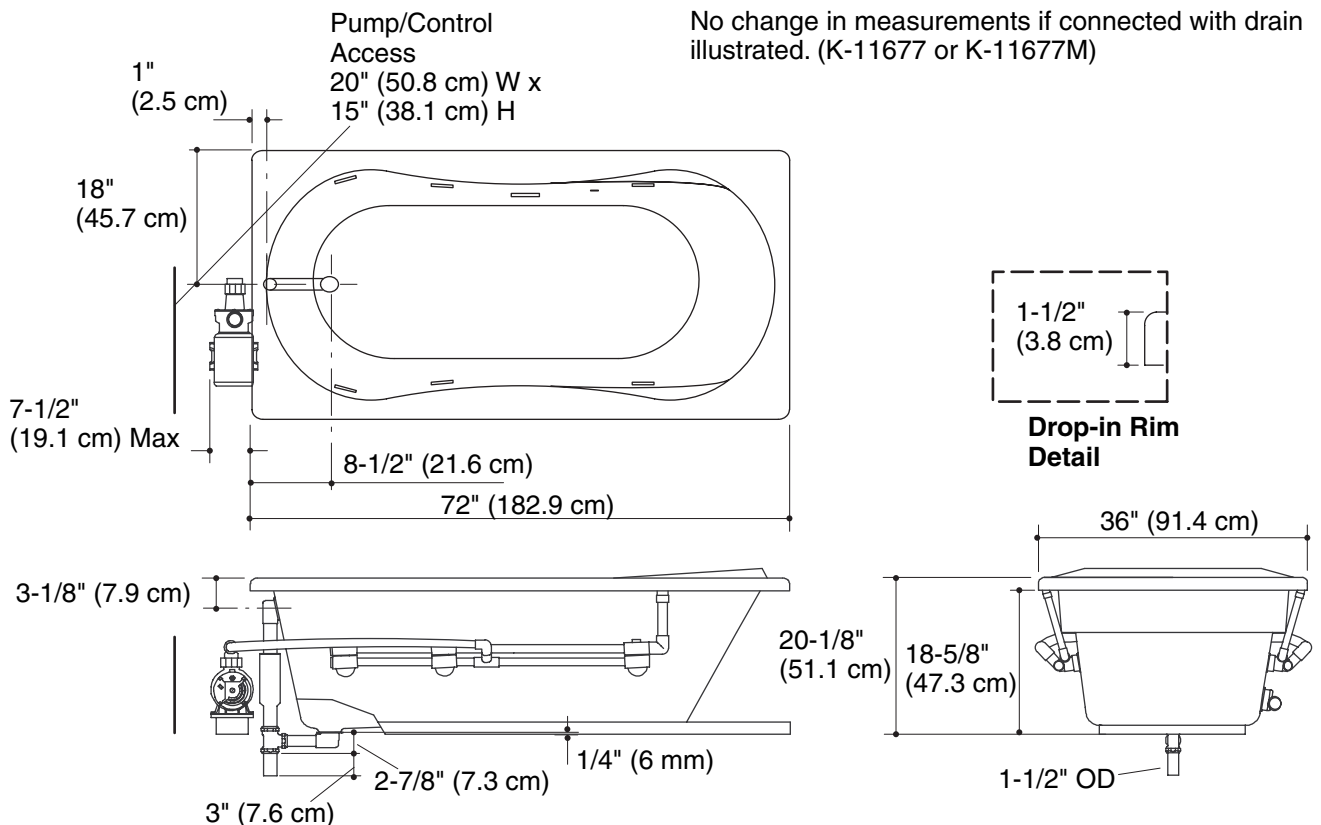
Installation Notes

Install this product according to the installation guide.

Floor support under whirlpool must provide for a minimum of 39 lbs/square foot (188 kg/square meter) loading.

The apron must be installed before the finished floor and wall materials are installed.

Pump must be relocated to custom position at the time of installation. Provide adequate clearance.



Product Diagram