

Installation Guide

ProFlex™ Series Drop-in Bath Whirlpool with Custom Pump, 120 V USA

K-1106-CN/HN, K-1126-CN/HN, K-1131-CE/HE, , K-1139-CN/HN,
K-1144-CD/HD, K-1146-CN/HN, K-1146-CK/HK, K-1148-CE/HE,
K-1148-CH/HH, K-1157-CN/HN, K-1192-CB/HB, K-1194-CB/HB,
K-1196-CB/HB, K-1198-CB/HB, K-1201-CB/HB, K-1209-CB/HB,
K-1221-CB/HB, K-1224-CB/HB, K-1226-CD/HD, K-1231-CD/HD,
K-1239-CB/HB, K-1244-HM/CM, K-1246-CD/HD, K-1246-CF/HF,
K-1248-CG/HG, K-1248-CJ/HJ, K-1257-CB/HB, K-1263-CJ/HJ,
K-1263-CG/HG, K-1266-CN/HN, K-1337-HN, K-1458-CN/HN

Important Information

 **WARNING:** When using electrical products, basic precautions should always be followed, including the following:

 **DANGER:** Risk of electric shock. Connect only to a circuit protected by a Ground-Fault Circuit-Interrupter (GFCI).

Building materials and wiring should be routed away from the pump body and other heat-producing components of the unit.

Install to permit access for servicing.


Grounding is required. The unit should be installed by a qualified service representative, and grounded.


Electrical Requirements

The installation must have a Class A Ground-Fault Circuit-Interrupter (GFCI). The GFCI protects against line-to-ground shock hazard. Use a 120 V, 15 A, 60 Hz dedicated service for the whirlpool.


“H” models require a separate 120 V, 15 A, 60 Hz dedicated service for the in-line heater.

Product Notices

 **WARNING:** Unauthorized modification may cause unsafe operation and poor performance of the whirlpool. Do not relocate the whirlpool pump, or make other modifications to the whirlpool system, as this could adversely affect the performance and safe operation of the whirlpool. Kohler Co. shall not be liable under its warranty or otherwise for personal injury or damage caused by any such unauthorized modification.

 **WARNING:** Risk of electrical shock. A licensed electrician should make all electrical connections.

 **WARNING:** Risk of electrical shock. Disconnect power before servicing.

 **WARNING:** Risk of injury or property damage. Please read all instructions thoroughly before beginning installation, including the following requirements.

NOTICE: Follow all local plumbing and electrical codes.

Factory-Assembled Features

Factory installed components include pump with air switch transmitter, air control, and power supply cord. No installation is needed.

“H” models are also supplied with a factory assembled, in-line heater.

An optional timer kit is available for this product.

The whirlpool pump and piping are factory-assembled.

Connections and Service Access

Before installation, ensure proper access to the final connections.

NOTICE: Provide unrestricted service access to the pump. You must provide access for servicing the pump and controls. The access must be located immediately next to the pump. Study the roughing-in information packed with the whirlpool.

Table of Contents

Thank You	3
Before You Begin	3
Recommended Tools and Materials	3
Prepare the Site	4
Prepare the Whirlpool	4
Disconnect the Pump	4
Secure the Whirlpool to the Subfloor-Models With Support Blocks	5
Secure the Whirlpool to the Subfloor-Models With Whirlpool Base	6
Relocate and Mount the Pump	7
Install the Plumbing	8
Install a Rim-Mounted Faucet	8
Make Electrical Connections	9
Test Run the Whirlpool	10
Complete the Finished Wall	10
Clean-Up After Installation	10
Confirm Proper Operation	11
Troubleshooting	12

Thank You For Choosing Kohler Company

We appreciate your commitment to Kohler quality. Please take a few minutes to review this manual before you start installation. If you encounter any installation or performance problems, please don't hesitate to contact us. Our phone numbers and website are listed on the back cover. Thanks again for choosing Kohler Company.

Before You Begin

⚠ CAUTION: Risk of product damage. Do not lift the whirlpool by the piping or pump, or use the piping or pump for structural support of the whirlpool.

- We recommend this whirlpool for drop-in installation.
- Inspect the whirlpool for damage before you begin installation.
- You must install this whirlpool to an adequately supported, level subfloor.
- Confirm adequate mounting and connection space for the faucet specified for your installation.

Recommended Tools and Materials



Silicone Sealant



Measuring Tape



Pencil

Plus:

Conventional Woodworking tools and materials

Drop cloth

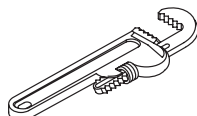
Construction adhesive (optional)

Cement or mortar (optional)

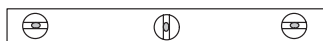
2x4's or 2x6's



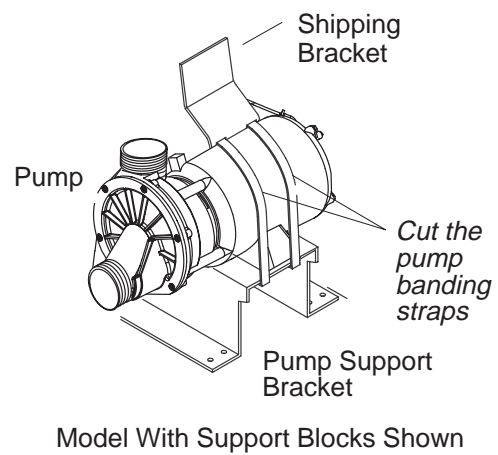
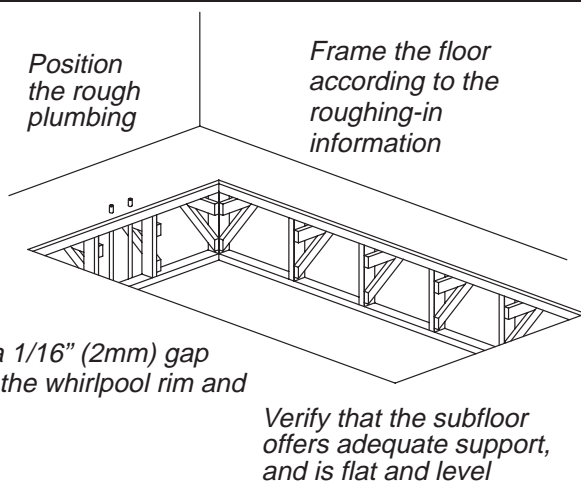
Safety Glasses



Pipe Wrench



Level



1. Prepare the Site

NOTICE: Unless otherwise specified, floor support under the whirlpool must provide for a minimum of 80 lbs./square foot (390 Kg./square meter) loading.

NOTICE: Do not support the whirlpool by the rim.

- Make sure the flooring offers adequate support for your whirlpool, and verify that the subfloor is flat and level.
- The whirlpool should be installed in a drop-in installation. Construct 2x4 or 2x6 stud framing designed for your particular installation. Provide a 1/16" (2mm) gap between the whirlpool rim and the stud framing. Frame the floor, or construct a frame for a raised installation in accordance with the roughing-in information packed with the whirlpool.
- Carefully lay out and cut the rough deck material. Use the cut-out template if one is provided, or refer to the roughing-in cut-out information.
- Position the plumbing according to the roughing-in information packed. Cap the supplies, and check for leaks.

2. Prepare the Whirlpool

- Install the drain to the whirlpool according to the drain manufacturer's instructions. Do not connect the trap at this time.
- Position a clean drop cloth or similar material in the bottom of the whirlpool. Be careful not to scratch the surface of the product.

3. Disconnect the Pump

NOTE: No cutting of the whirlpool harness (pipes) is required for this installation. Any cutting of the whirlpool will void the warranty.

Models with Support Blocks

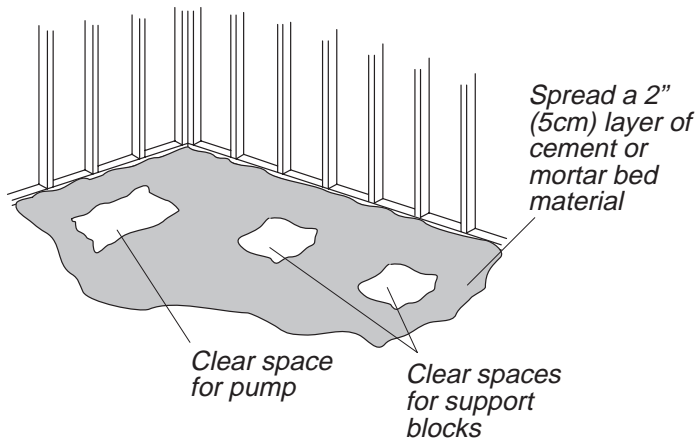
- Disconnect the pump from the shipping bracket and heater (if equipped) by cutting the two banding straps with a tin snips.

Models with Support Pan

- Disconnect the pump and heater (if equipped) from the support pan.
- Locate the pump support bracket and remove it from the harness.

All Models

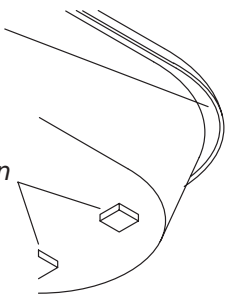
- Relocate the pump and heater (if equipped) next to the customized inlet/outlet connections of the whirlpool harness. The pump may protrude beyond the rim of the bath. See the roughing-in details.
- Set the pump aside.



Apply a bead of silicone sealant around the entire rim

or

Apply construction adhesive to the support blocks



4. Secure the Whirlpool to the Subfloor—Models With Support Blocks Only

CAUTION: Risk of product damage. Do not lift the whirlpool by the piping, or use the piping for structural support of the whirlpool.

CAUTION: Risk of product damage. Do not support the whirlpool by the rim.

Choose the installation option that best applies to your particular installation. Follow the appropriate instructions.

If the subfloor is not level, shim the whirlpool support blocks as necessary. Whirlpool should be shimmed no more than 1/2" (1.3cm).

Option for Using a Cement or Mortar Bed

Spread a 2" (5cm) thick layer of cement or mortar on the subfloor where the whirlpool will be set. This will help secure, level, and support the unit. Clear all the material away from the pump support bracket and support block locations.

NOTE: Do not use gypsum cement or drywall compound for this application, as they will not provide an acceptable, durable bond.

Position a piece of plastic drop cloth material on top of the cement or mortar bed. With help, carefully lift the whirlpool into place. Clear away any excess cement or mortar near the spot the pump will be installed.

Insert the drain tailpiece into the trap. Make sure the whirlpool is level and resting on all support blocks

Remove the protective tape from the rim. Apply a continuous bead of high-quality silicone sealant around the entire rim of the whirlpool.

Option for Using Construction Adhesive

Apply a generous amount of high-quality construction adhesive to the bottom of the support blocks. With help, carefully lift the whirlpool into position.

Insert the drain tailpiece into the trap. Make sure the whirlpool is level and resting on all support blocks.

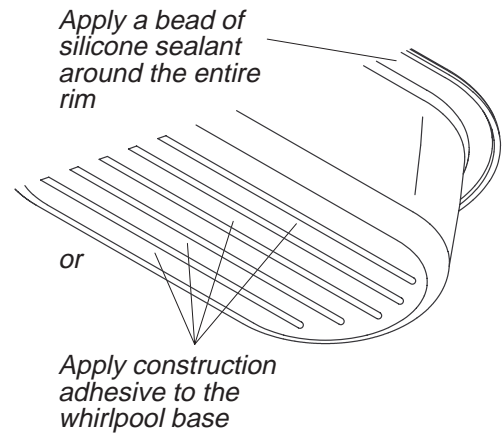
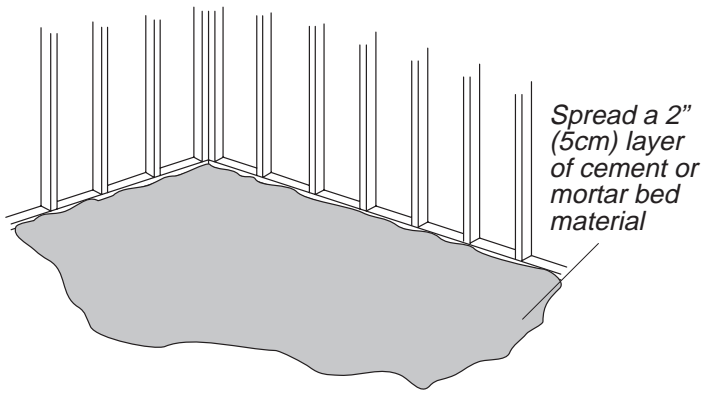
Remove the protective tape from the rim. Apply a continuous bead of high-quality silicone sealant around the entire rim of the whirlpool.

Option for Using Silicone Sealant



With help, carefully lift the whirlpool into position.

Insert the drain tailpiece into the trap. Make sure the whirlpool is level and resting on all support blocks.

Remove the protective tape from the rim. Apply a continuous bead of high-quality silicone sealant around the entire rim of the whirlpool.



5. Secure the Whirlpool to the Subfloor—Models with Whirlpool Base Only

-  **CAUTION: Risk of product damage.** Do not lift the whirlpool by the piping, or use the piping for structural support of the whirlpool.
-  **CAUTION: Risk of product damage.** Do not support the whirlpool by the rim.
- Choose the installation option that best applies to your particular installation. Follow the appropriate instructions.**
- If the subfloor is not level, shim the whirlpool base as necessary.

Option for Using a Cement or Mortar Bed

- Spread a 2" (5cm) thick layer of cement or mortar on the subfloor where the whirlpool will be set. This will help secure, level, and support the unit.
NOTE: Do not use gypsum cement or drywall compound for this application, as they will not provide an acceptable, durable bond.
- With help, carefully lift the whirlpool into place. Clear away any excess cement or mortar near where the pump will be installed.
- Insert the drain tailpiece into the trap. Make sure the whirlpool is level. Use screws or lag bolts to secure the pump base to the floor. Drill small pilot holes through the whirlpool base as needed.
- Remove the protective tape from the rim. Apply a continuous bead of high-quality silicone sealant around the entire rim of the whirlpool.

Option for Using Construction Adhesive

- Apply a generous amount of high-quality construction adhesive to the bottom of the whirlpool base. With help, carefully lift the whirlpool into position.
- Insert the drain tailpiece into the trap. Make sure the whirlpool is level and resting on all support blocks. Use screws or lag bolts to secure the pump base to the floor. Drill small pilot holes through the whirlpool base as needed.
- Remove the protective tape from the rim. Apply a continuous bead of high-quality silicone sealant around the entire rim of the whirlpool.

Option for Using Silicone Sealant

- With help, carefully lift the whirlpool into position.
- Insert the drain tailpiece into the trap. Make sure the whirlpool is level. Use screws or lag bolts to secure the pump base to the floor. Drill small pilot holes through the whirlpool base as needed.
- Remove the protective tape from the rim. Apply a continuous bead of high-quality silicone sealant around the entire rim of the whirlpool.

When installing the pump, make sure to remove the plugs from the inlet and outlet piping

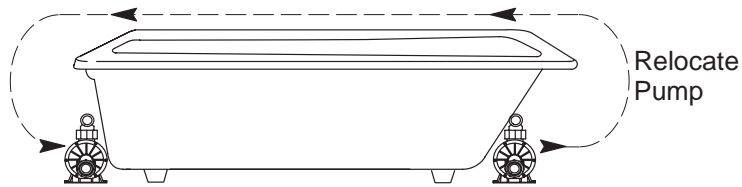


Fig. #1

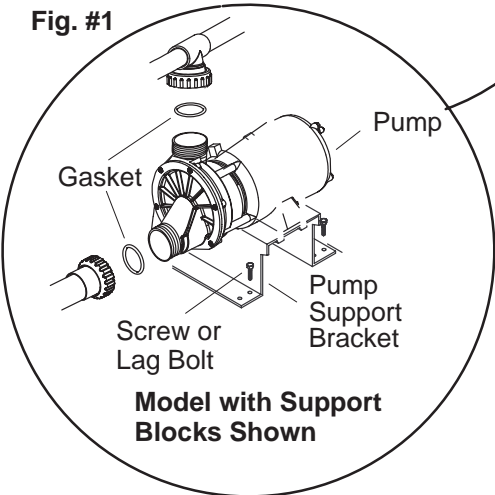
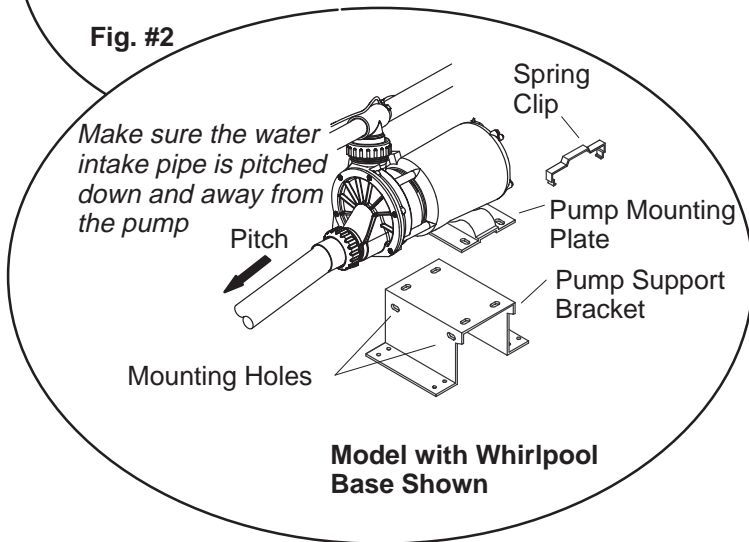


Fig. #2



6. Relocate and Mount the Pump

All Models-See Fig. 1

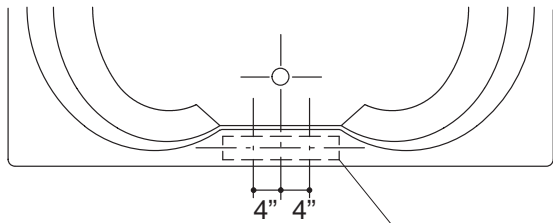
- Relocate the pump (and heater, if applicable) next to the customized inlet/outlet connections of the whirlpool harness. The pump may protrude beyond the rim of the bath.
- Remove all protective packaging from around the whirlpool harness. Cut only those cable ties supporting the harness attachment nuts.
- Remove the plugs from the pump inlet and outlet openings. Install the O-rings into the grooves on the inlet and outlet connector fittings.

Models with Whirlpool Base-See Fig. 2

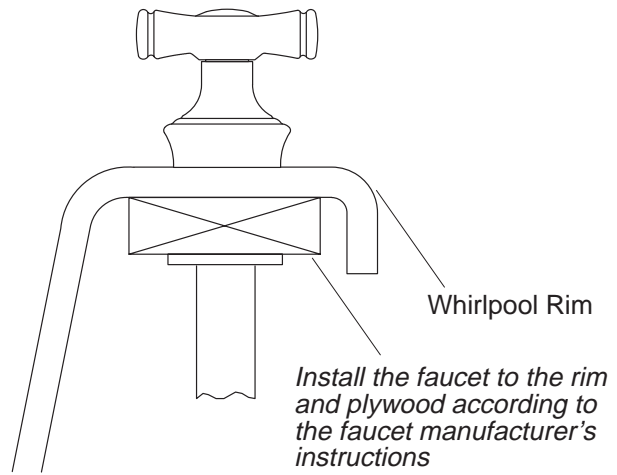
- Set the pump on the support bracket.
- Position one spring clip over the pump mounting plate and pop one end into the mounting hole.
- Firmly press the other end of the spring clip down until it pops into the mounting hole on the other side of the support bracket.
- Repeat procedure with second clip.

All Models


- Slide the pump (and heater if applicable) and support bracket into place.
- Thread the plastic inlet and outlet attachment nuts onto the pump (shown in Fig. 1) until the O-rings make initial contact.
- Tighten each nut no more than another quarter of a turn. **Do not overtighten these nuts.**
- Make sure the whirlpool harness piping is pitched correctly (down and away, shown in Fig. 2) to promote the drainage of water from the pump through the suction fitting. Shim the pump if necessary to level the pump on the subfloor, but only high enough to allow water to drain out the suction line when the whirlpool is drained.
NOTE: Do not shim the pump more than 1/2" (1.3cm). Raising the pump too high will prevent the pump from priming properly.
- Secure the pump support bracket to the subfloor with four screws or lag bolts (not provided).



Measure, cut, and drill a piece of 1/2" exterior grade plywood 4" (10.2cm) x 11-1/2" (29.2cm) for the K-1226, or 4" (10.2cm) x 15-1/2" (39.4cm) for the K-1331




7. Install the Plumbing

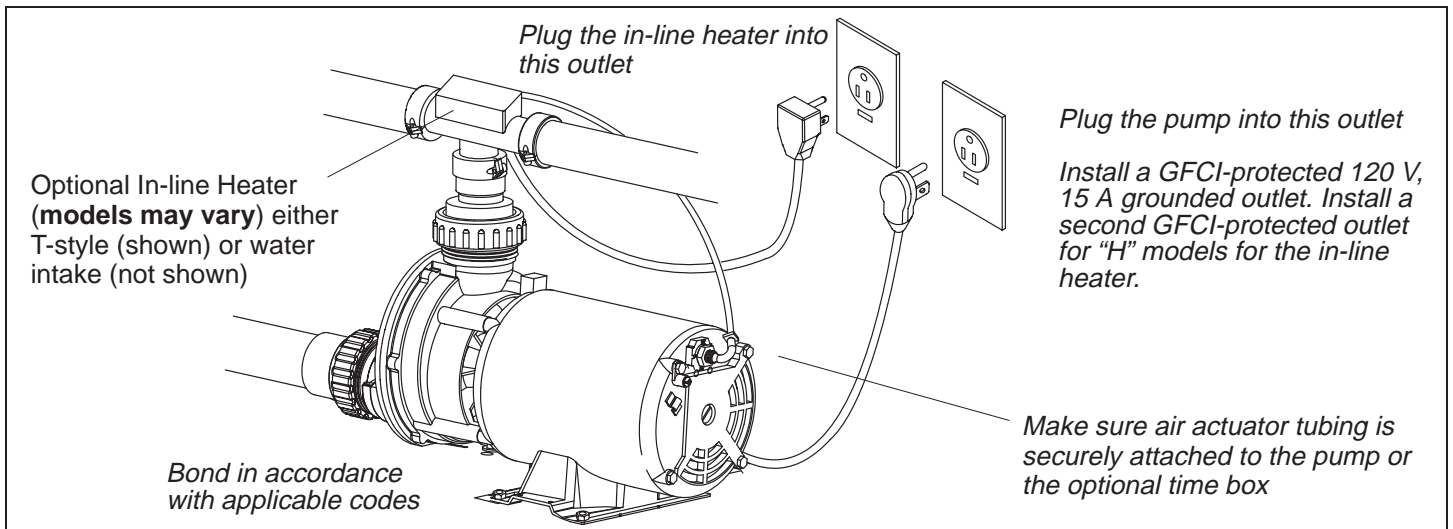
-  **CAUTION: Risk of property damage.** Ensure a watertight seal on the whirlpool drain.
 - Connect the drain to the trap according to the drain manufacturer's instructions.

NOTICE: An access panel will simplify future maintenance.
 - Install the faucet valving according to the faucet manufacturer's instructions. Do not install the faucet trim until instructed. Open the hot and cold water supplies, and check the supply connections for leakage.
 - Run water into the whirlpool, and check the drain connections for leakage.

8. Install a Rim-Mounted Faucet – K-1226 and K-1231 Only

- Measure and cut a piece of 1/2" exterior grade plywood 4" (10.2cm) x 11-1/2" (29.2cm) for the K-1226, or 4" (10.2cm) x 15-1/2" (39.4cm) for the K-1231.
- The faucet should be located in the center of the flat area of the rim. Refer to the faucet manufacturer's instructions. Use a pencil to mark the faucet centerlines for drilling.

NOTE: The K-1226 will accept faucets with 4" centers, and the K-1231 will accept faucets with 4" or 6" centers.
-  **CAUTION: Risk of product damage.** Position a thin piece of cardboard on the finished surface of the whirlpool before clamping the plywood in place. Make sure the clamps do not make direct contact with the finished surface of the whirlpool.
 - Set a thin piece of cardboard on the finished surface of the whirlpool rim. Position the plywood on the bottom of the rim, and carefully clamp the plywood in place. Make sure the clamps are in contact with the cardboard, **not** the finished surface of the whirlpool.
 - Carefully drill the faucet holes to the size required by the faucet manufacturer. Remove the clamps and cardboard.
 - Install the faucet to the rim and plywood according to the faucet manufacturer's instructions.
 - Open the hot and cold water supplies, and check the supply connections for leakage.
 - Run water into the whirlpool, and check the drain connections for leakage.



9. Make Electrical Connections

⚠ WARNING: Risk of electrical shock. To reduce the risk of electrical shock, connect the pump and in-line heater to properly grounded, grounding-type receptacles protected by Ground-Fault Circuit-Interrupters (GFCI's). Do not remove the plugs' grounding pins. Do not use grounding adapters.

Pump Wiring

NOTE: The whirlpool model number is printed on a label near the whirlpool pump. This label also identifies the electrical rating of the whirlpool.

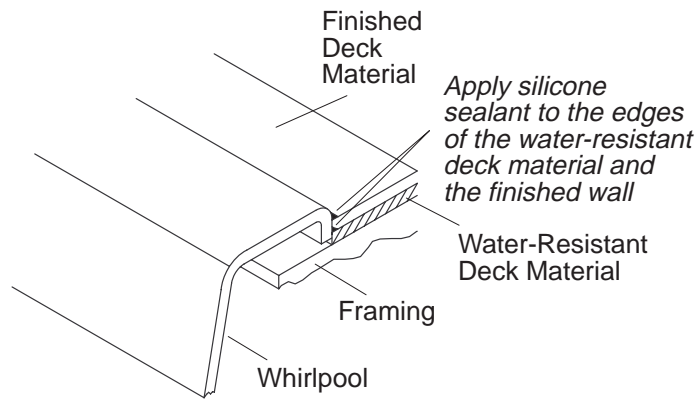
- Your Kohler whirlpool bath is equipped with a cord and plug. All wiring of the pump and control has been completed at the factory. A licensed electrician must install a GFCI-protected, 120 V, 15 A, grounded outlet. No other load should be on this circuit. Locate the outlet behind the whirlpool, and within 24" (61cm) of the pump.
- Plug the pump into this outlet.

NOTE: Make sure the air actuator tubing is securely attached to the pump, and is not kinked or damaged.

- If a K-1639 Timer Kit will be used, install it now according to the instructions packed with the timer kit.

In-line Heater Wiring

- "H" Models:** The in-line heater is equipped with a cord and plug. All wiring of the heater has been completed at the factory. A licensed electrician must install a GFCI-protected, 120 V, 15 A, grounded outlet. No other load should be on this circuit. Locate the outlet behind the whirlpool, and within 24" (61cm) of the heater.
- Plug the in-line heater into the outlet.



10. Test Run the Whirlpool

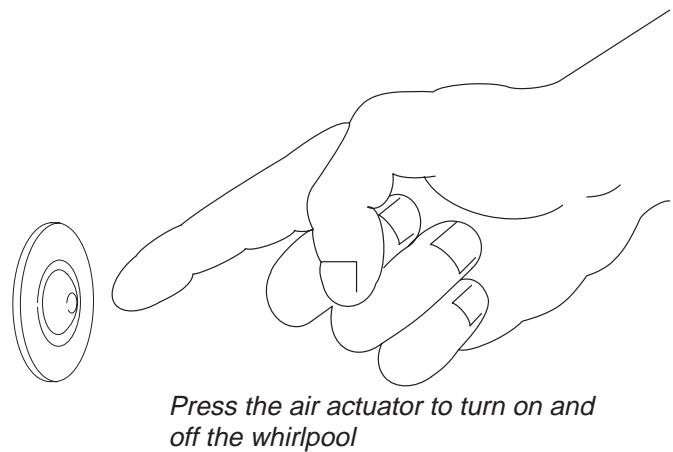
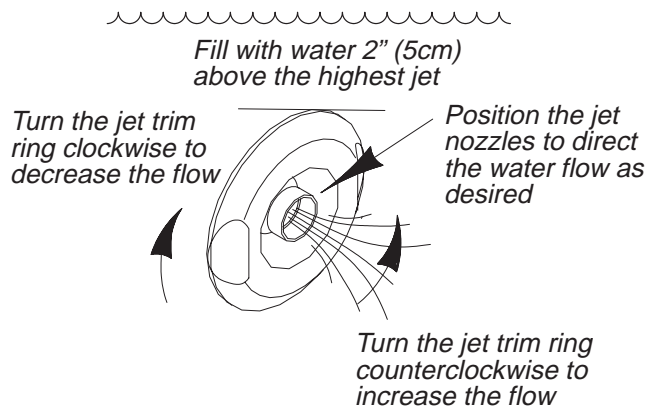
- Check all electrical connections, and make sure the electrical power to the whirlpool and in-line heater is on.
- Make sure all union connections to the pump and in-line heater are securely hand tightened.
- Verify that the pump banding straps have been cut, and that the pump support bracket is resting directly on the subfloor.
- Fill the whirlpool to a level at least 2" (5cm) above the top of the highest jet.
- Operate the whirlpool for 5 minutes, and check all whirlpool piping connections for leaks.
- For additional information on whirlpool operation, see Confirm Proper Operation on Page 11.

11. Complete the Finished Wall

- If you have not already done so, carefully remove the protective tape from the whirlpool rim.
- Cover the framing with water-resistant deck material. Seal the joints between the whirlpool rim edge and the water-resistant deck material with silicone sealant.
- Tape and mud the water-resistant deck material. Install the finished wall to the water-resistant deck material. Seal the joints between the whirlpool rim and the finished deck material with silicone sealant.

12. Clean-Up After Installation

- When cleaning up after installation, **do not use abrasive cleansers**, as they may scratch and dull the whirlpool surface. Use warm water and a liquid detergent to clean the surface.
- Remove stubborn stains, paint, or tar with turpentine or paint thinner. **Do not allow cleaners containing petroleum distillates to remain in contact with any whirlpool surfaces for long periods of time.** Remove plaster by carefully scraping with a wood edge. Do not use metal scrapers, wire brushes, or other metal tools. Use a powder-type detergent on a damp cloth to provide mild abrasive action to any residual plaster.



13. Confirm Proper Operation

Fill the Whirlpool

NOTE: Please read these steps carefully before you operate your whirlpool.

- Position the jet nozzles so they face down toward the basin. Turn the jet trim rings fully counterclockwise.
- Fill the whirlpool to a water level at least 2" (5cm) above the top of the highest jet.**

NOTE: The water temperature in the whirlpool should not exceed 104°F (40°C).

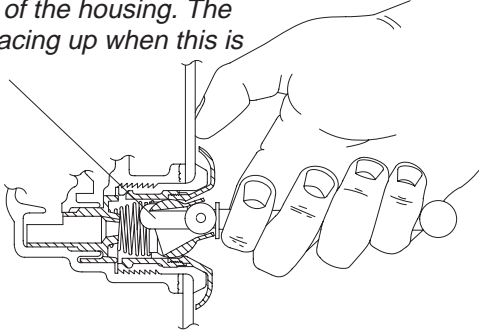
Operating Sequence

- Press the air actuator to turn on the whirlpool jets.
- Adjust each jet for optimum air/water mixture. Turn the trim ring clockwise to reduce the air flow, and counterclockwise to increase the air flow.
- If equipped with the in-line heater, the heater will engage automatically when the pump is turned on and will disengage when the pump is turned off. Water temperature must not exceed 104°F (40°C).
- Press the air actuator a second time to turn off the whirlpool.

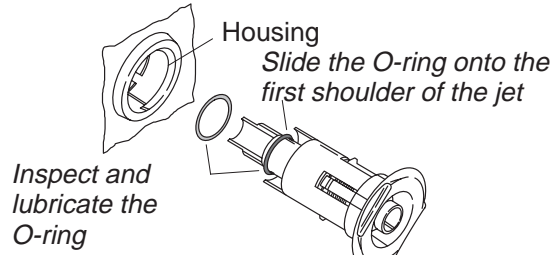
NOTE: The optional K-1639 Timer Kit automatically stops the whirlpool after approximately 20 minutes of operation.

Remove the Jets

Insert the tool hook as shown and pull the jet out of the housing. The jet should be facing up when this is done.



Re-install the Jets



Insert the jet into the housing, and lightly push and rotate until it snaps in position

14. Troubleshooting Procedures

Remove the Factory Installed Jet

NOTE: A special tool is provided with the replacement jet that will allow you to remove the jet(s) from the whirlpool. It is also packed with each trim kit.

- Position the jet ball nozzle so that it is pointing completely upward.
- Insert the removal tool, hooked end up, into the opening of the jet and hook the inside top of the nozzle.
- Grasp the tool firmly and place your thumb against the bath wall. Pull on the jet assembly until it pulls from the hole. Be careful not to lose the O-ring.

NOTE: The nozzle must remain pointed up or the tool will slip off.

- To service orifices insert a pencil into the end of the jet nozzle and push the orifice out. After removing any blockage, check orifice to make sure it is clear and press back into jet housing. Orifices are only installed in whirlpool jets when there are six or more jets in the whirlpool system.

Re-install the Jets

NOTE: The jet O-ring must be correctly positioned, must be lubricated, and must be in good condition to permit easy rotation and proper operation of the jet.

- Install the O-ring onto the **first shoulder** of the jet. Lubricate the O-ring with silicone lubricant to prevent noisy operation of the jet.
- Carefully insert the jet into the housing, and lightly push and rotate the jet until it snaps into position. **Do not force the jet.**

NOTE: When installed correctly, the jet should turn smoothly both clockwise and counterclockwise.

Troubleshooting Table

This troubleshooting guide is for general aid only. A Kohler Authorized Service Representative or qualified electrician should correct all electrical problems. For warranty service, contact your dealer or wholesale distributor.

Symptoms	Probable Causes	Recommended Action
1. Whirlpool does not start/stop.	A. No power to motor.	A. Set/Reset GFCI breaker; check wiring.
	B. Air actuator does not work.	B. Replace air actuator.
	C. Air actuator tubing is disconnected, loose, kinked, plugged, or damaged.	C. Connect, straighten, clean, or replace air actuator tubing.
	D. Motor/pump does not work.	D. Rebuild or replace motor/pump.
2. Motor starts, all jets are not functioning.	A. Jet is closed.	A. Rotate jet trim ring counterclockwise to open.
	B. Jet not installed correctly.	B. Reinstall jet; check for O-ring damage.
	C. Jets are blocked.	C. Remove blockage.
3. Whirlpool stops automatically before 18 minutes.	A. GFCI trips.	A. Identify source of fault, and correct.
	B. Suction blocked.	B. Remove obstruction.
	C. Jets are blocked.	C. Remove blockage.
	D. Motor overheated and protection device activated.	D. Check for blockage at motor vents. Remove blockage and allow motor to cool. Check for suction blockage. Remove blockage and allow motor to cool. Check for jet blockage. Remove blockage and allow motor to cool.
4. Pump does not prime. (Models with wooden support blocks only.)	A. Pump shimmed too high. (Models with wooden support blocks only.)	A. Lower pump support bracket. (Models with wooden support blocks only.)
5. Noisy operation.	A. Pump banding straps have not been cut. (Models with wooden support blocks only.)	A. Cut pump banding straps with tin snips. (Models with wooden support blocks only.)
	B. Dislodged jet O-ring.	B. Remove jet, replace and lubricate O-ring, and reinstall jet.
6. Heater does not operate.	A. No power to heater.	A. Reset GFCI.
	B. Water temperature exceeds 104°F (40°C).	B. Allow water to cool, heater will re-engage.
	C. Heater does not work.	C. Replace heater.

Guía de Instalación

Serie ProFlex

Bañera de hidromasaje empotrada con bomba a la medida, 120 V EEUU

Información importante



ADVERTENCIA: Siga las siguientes medidas de seguridad al emplear artefactos eléctricos.



PELIGRO: Riesgo de descarga eléctrica. Conecte la unidad solamente a un circuito protegido por un interruptor de circuito accionado por corriente de pérdida a tierra (GFCI).

El material de construcción y el cableado debe ser trazado lejos del cuerpo de la bomba y de otros componentes conductores de calor de la unidad.

Instale el accesorio de manera de permitir acceso para el mantenimiento.

Se requiere de una conexión a tierra. Esta unidad debe ser instalada y conectada a tierra por un representante de servicio autorizado.

Requisitos eléctricos

Se necesita un interruptor de circuito accionado por corriente de pérdida a tierra (GFCI) de Clase A para la instalación. El GFCI protege contra una posible descarga eléctrica. Use un circuito de servicio dedicado de 120 V, 15 A, 60 Hz para la bañera de hidromasaje.

Los modelos "H" requieren de un circuito separado de 120 V, 15 A y 60 Hz para el calentador directo.

Advertencias



ADVERTENCIA: Modificaciones no autorizadas pueden causar el funcionamiento peligroso y el bajo rendimiento de la bañera de hidromasaje. No cambie la ubicación de la bomba de la bañera, ni haga otras modificaciones al sistema de hidromasaje, ya que esto podría tener un efecto adverso en el rendimiento y en el funcionamiento seguro de la bañera de hidromasaje. Kohler Co. no se hace responsable bajo esta garantía o de ninguna otra forma, por lesiones personales o daños provocados por modificaciones no autorizadas.



ADVERTENCIA: Riesgo de descarga eléctrica. Las conexiones eléctricas deben ser realizadas por un electricista calificado.



ADVERTENCIA: Riesgo de descarga eléctrica. Desconecte el suministro eléctrico antes de dar servicio a esta unidad.



ADVERTENCIA: Riesgo de lesiones personales o daños a la propiedad. Por favor, lea atentamente todas las instrucciones antes de comenzar la instalación, incluyendo los requisitos detallados a continuación.

AVISO: Cumpla con todos los códigos locales de electricidad y de plomería.

Componentes montados en la fábrica

Los componentes instalados en la fábrica incluyen la bomba con el interruptor al aire, el control y el cable eléctrico. No se requiere de instalación.

Los modelos "H" vienen igualmente equipados de un calentador directo.

Es posible adquirir un juego de temporizador para este producto.

La bomba y las tuberías de la bañera de hidromasaje han sido montadas en la fábrica.

Conexiones y acceso para mantenimiento

Antes de la instalación, asegúrese de tener acceso adecuado a las conexiones finales.

AVISO: Proporcione acceso libre para el mantenimiento de la bomba. Se debe suministrar acceso para el mantenimiento de la bomba y los controles. El panel de acceso debe colocarse inmediatamente junto a la bomba. Consulte el diagrama de instalación empacado con la bañera de hidromasaje.

Contenido

Gracias	15
Antes de comenzar	15
Herramientas y materiales sugeridos	15
Preparación del sitio	16
Preparación de la bañera de hidromasaje	16
Desconecte la bomba	16
Asegure la bañera de hidromasaje al subpiso-Modelos con bloques de soporte	17
Asegure la bañera de hidromasaje al subpiso-Modelos con base de bañera de hidromasaje	18
Monte la bomba	19
Instale la plomería	20
Instale un grifo sobre el reborde	20
Realice las conexiones eléctricas	21
Pruebe la bañera de hidromasaje	22
Complete la pared acabada	22
Limpieza después de la instalación	22
Verifique el funcionamiento correcto	23
Problemas de reparación	24

Gracias por elegir los productos de Kohler

Apreciamos su elección por la calidad de Kohler. Por favor, tome unos minutos para leer este manual, antes de comenzar la instalación. En caso de problemas de instalación o de funcionamiento, no dude en contactarnos. Nuestros números de teléfono y nuestra página web se encuentran en la solapa posterior. Gracias nuevamente por escoger a Kohler.

Antes de comenzar

⚠ PRECAUCIÓN: Riesgo de daños al producto. No levante la bañera por los tubos o la bomba, ni use los tubos o la bomba como soporte estructural de la unidad.

- Recomendamos esta bañera de hidromasaje para una instalación empotrada.
- Verifique que la bañera no tenga daños antes de iniciar la instalación.
- Es necesario instalar el hidromasaje en un piso nivelado y con suficiente soporte.
- Verifique que haya suficiente espacio para instalar la grifería específica.

Herramientas y materiales sugeridos



Sellador de silicona



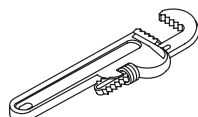
Cinta métrica



Lápiz



Anteojos de seguridad



Llave para tubería



Nivel

Adicionalmente:

Herramientas y materiales convencionales para trabajar la madera

Trapo para el piso

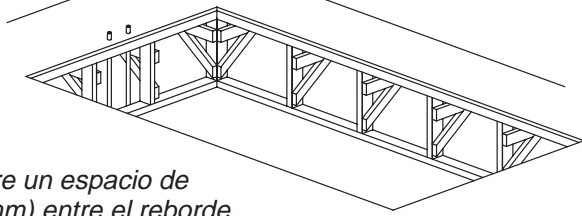
Adhesivo para construcción (optativo)

Cemento o mortero (optativo)

Listones de 2x4 / 2x6

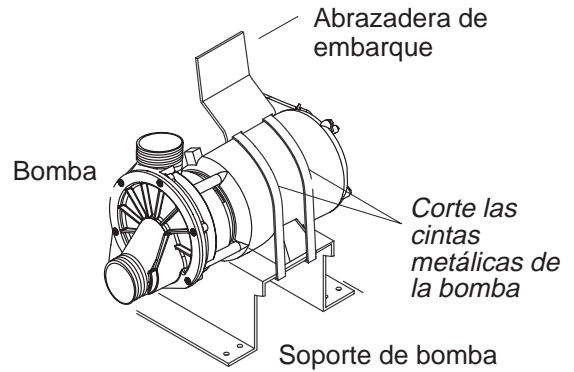
Realice el tendido de la plomería

Prepare la estructura del piso de acuerdo al diagrama de instalación



Suministre un espacio de 1/16" (2mm) entre el reborde de la bañera y la estructura.

Verifique que el subpiso suministre suficiente soporte, y que sea plano y esté nivelado



Modelo con bloques de soporte ilustrado

1. Preparación del sitio

AVISO: A menos que se especifique lo contrario, el soporte del piso debajo de la bañera debe poder sostener un peso mínimo de 80 lbs./ft² (390 kg/m²).

AVISO: No apoye la bañera de hidromasaje en los bordes.

- Verifique que el piso suministre soporte adecuado para su bañera de hidromasaje y que el subpiso está plano y nivelado.
- Esta bañera debería montarse en una instalación empotrada. Construya una estructura de travesaños de 2x4 o de 2x6 para su instalación en particular. Suministre un espacio de 1/16" (2mm) entre el reborde de la bañera y la estructura. Encuadre el piso o construya una estructura para una instalación elevada, de acuerdo a la información contenida en el diagrama de instalación.
- Trace y corte con cuidado en material de la cubierta. Si se ha incluido, utilice la plantilla de recorte, o en su defecto, consulte la información en el diagrama de instalación.
- Trace la plomería según las dimensiones del diagrama de instalación. Cierre los suministros y verifique que no haya fugas.

2. Preparación de la bañera de hidromasaje

- Instale el sifón a la bañera de hidromasaje según las instrucciones del fabricante. No conecte el sifón en este momento.
- Coloque un trapo grueso o un material similar en el fondo de la unidad. Tenga cuidado de no dañar la superficie del producto.

3. Desconecte la bomba

NOTA: No se requiere cortar los tubos de la bañera de hidromasaje para esta instalación. Toda modificación de la bañera anulará la garantía.

Modelos con bloques de soporte

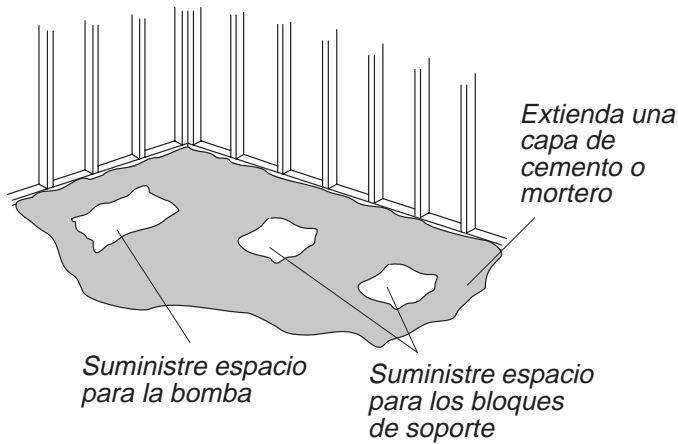
- Desconecte la bomba de la abrazadera de embarque y del calentador (de ser el caso), cortando las dos cintas con tijeras para chapa.

Modelos con área de soporte

- Desconecte la bomba y el calentador (de ser el caso) del área de soporte.
- Remueva la abrazadera de soporte de la bomba del equipo.

Todos los modelos

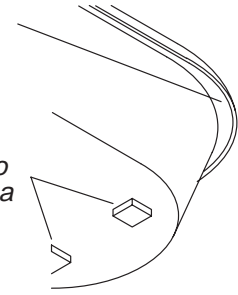
- Reubique la bomba y el calentador (de ser el caso) junto a las conexiones personalizadas de entrada/salida del equipo de la bañera de hidromasaje. Es posible que la bomba sobresalga del borde de la bañera. Consulte los detalles de instalación.
- Haga la bomba a un lado.





Aplique sellador de silicona alrededor del reborde

o

Aplique adhesivo de construcción a los bloques de soporte



4. Asegure la bañera de hidromasaje al subpiso – Modelos con bloques de soporte únicamente

-  **PRECAUCIÓN: Riesgo de daños al producto.** No levante la bañera por los tubos, ni los use como soporte estructural de la unidad.
-  **PRECAUCIÓN: Riesgo de daños al producto.** No apoye la bañera de hidromasaje en los bordes.
- Elija la opción de instalación más apropiada para su instalación en particular. Siga las instrucciones correspondientes.**
- Si el piso no está nivelado, será necesario acuar y nivelar un poco la bañera. Se sugiere no acuar la bañera de hidromasaje más de 1/2" (1,3cm).

Opción para usar una lechada de cemento o de mortero

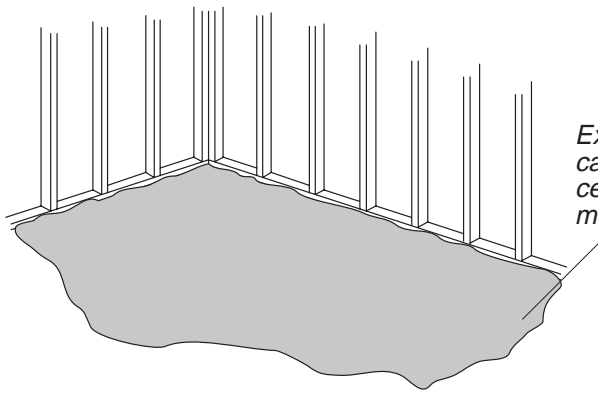
- Aplique una capa de 2" (5cm) de cemento o mortero en el subpiso donde se colocará la bañera. Esto ayudará a fijar, nivelar y dar soporte a la unidad. Remueva todo objeto del lugar donde se instalará las bases de la bomba y de los bloques de soporte.
- NOTA:** No utilice cemento de yeso o compuesto de horma para esta aplicación, pues la adhesión suministrada no es duradera.
- Coloque una lona gruesa de plástico sobre el cemento o mortero. Con ayuda, coloque con cuidado el hidromasaje en su lugar. Limpie todo exceso de cemento o mortero cerca del lugar de instalación de la bomba.
- Inserte la pieza posterior del drenaje en el sifón. Verifique que la bañera de hidromasaje esté nivelada y apoyada sobre todas las patas de soporte
- Remueva la cinta protectora del reborde. Aplique una tira de sellador de silicona alrededor del borde del hidromasaje.

Opción para usar cemento para construcción:

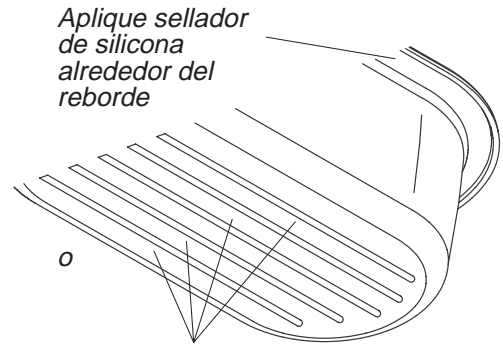
- Aplique una cantidad abundante de cemento para construcción de alta calidad en la base de los bloques de soporte. Con ayuda, coloque con cuidado el hidromasaje en su lugar.
- Inserte la pieza posterior del drenaje en el sifón. Verifique que la bañera de hidromasaje esté nivelada y apoyada sobre todas las patas de soporte.
- Remueva la cinta protectora del reborde. Aplique una tira de sellador de silicona alrededor del borde del hidromasaje.

Opción para usar sellador de silicona

- Con ayuda, coloque con cuidado el hidromasaje en su lugar.
- Inserte la pieza posterior del drenaje en el sifón. Verifique que la bañera de hidromasaje esté nivelada y apoyada sobre todas las patas de soporte.
- Remueva la cinta protectora del reborde. Aplique una tira de sellador de silicona alrededor del borde del hidromasaje.





Extienda una capa de cemento o mortero



Aplique sellador de silicona alrededor del reborde

Aplique adhesivo de construcción a la base de la bañera de hidromasaje

5. Asegure la bañera de hidromasaje al subpiso – Modelos con base para bañera únicamente

-  **PRECAUCIÓN: Riesgo de daños al producto.** No levante la bañera por los tubos, ni los use como soporte estructural de la unidad.
-  **PRECAUCIÓN: Riesgo de daños al producto.** No apoye la bañera de hidromasaje en los bordes.
- Elija la opción de instalación más apropiada para su instalación en particular. Siga las instrucciones correspondientes.**
- Si el piso no está nivelado, será necesario acuñar la base de la bañera.

Opción para usar una lechada de cemento o de mortero

- Aplique una capa de 2" (5cm) de cemento o mortero en el subpiso donde se colocará la bañera. Esto ayudará a fijar, nivelar y dar soporte a la unidad.
NOTA: No utilice cemento de yeso o compuesto de horma para esta aplicación, pues la adhesión suministrada no es duradera.
- Con ayuda, coloque con cuidado el hidromasaje en su lugar. Limpie todo exceso de cemento o mortero cerca del lugar de instalación de la bomba.
- Inserte la pieza posterior del drenaje en el sifón. Verifique que la unidad esté nivelada. Utilice tornillos o pernos de fijación para asegurar la base de la bomba al piso. Perfore pequeños orificios de guía a en la base de la bañera, de ser necesario.
- Remueva la cinta protectora del reborde. Aplique una tira de sellador de silicona alrededor del borde del hidromasaje.

Opción para usar cemento para construcción:

- Aplique una cantidad abundante de cemento para construcción de alta calidad en la base de los bloques de soporte. Con ayuda, coloque con cuidado el hidromasaje en su lugar.
- Inserte la pieza posterior del drenaje en el sifón. Verifique que la bañera de hidromasaje esté nivelada y apoyada sobre todas las patas de soporte. Utilice tornillos o pernos de fijación para asegurar la base de la bomba al piso. Perfore pequeños orificios de guía a en la base de la bañera, de ser necesario.
- Remueva la cinta protectora del reborde. Aplique una tira de sellador de silicona alrededor del borde del hidromasaje.

Opción para usar sellador de silicona

- Con ayuda, coloque con cuidado el hidromasaje en su lugar.
- Inserte la pieza posterior del drenaje en el sifón. Verifique que la unidad esté nivelada. Utilice tornillos o pernos de fijación para asegurar la base de la bomba al piso. Perfore pequeños orificios de guía a en la base de la bañera, de ser necesario.
- Remueva la cinta protectora del reborde. Aplique una tira de sellador de silicona alrededor del borde del hidromasaje.

Al instalar la bomba, asegúrese de remover los obturadores de las tuberías de entrada y salida



Fig. #1

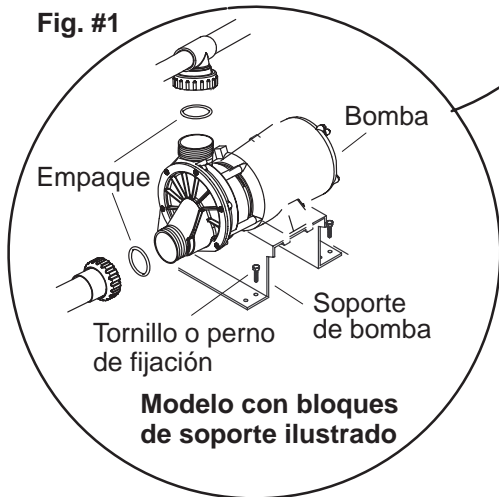
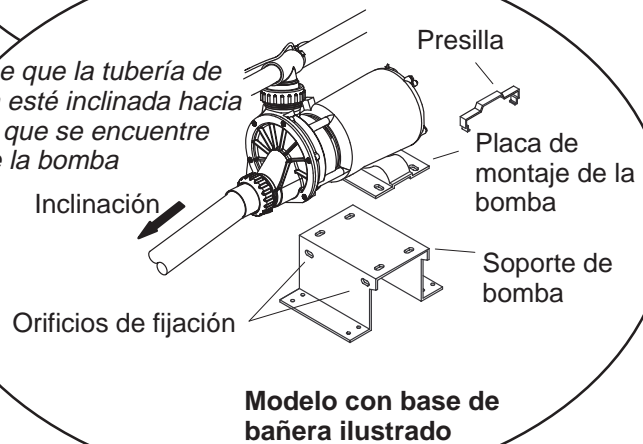


Fig. #2

Verifique que la tubería de entrada esté inclinada hacia abajo y que se encuentre lejos de la bomba



6. Reubique y monte la bomba

Todos los modelos - Consulte la Fig. 1

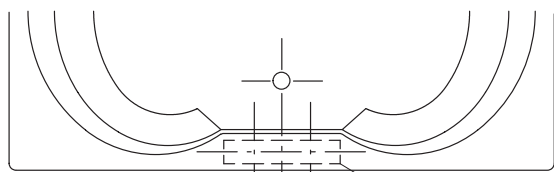
- Reubique la bomba (y el calentador de ser el caso) junto a las conexiones personalizadas de entrada/salida del equipo de la bañera de hidromasaje. Es posible que la bomba sobresalga del borde de la bañera.
- Remueva la envoltura del equipo de la bañera de hidromasaje. Corte únicamente las tiras que sujetan las tuercas de acoplamiento del equipo.
- Remueva los obturadores de los tubos de entrada y salida. Instale los empaques de anillo en las ranuras de los conectores de entrada y salida.

Modelos con base para bañera - Consulte la Fig. 2

- Coloque la bomba sobre el soporte.
- Coloque una presilla sobre la placa de montaje de la bomba y ajuste uno de los extremos en el orificio de montaje.
- Presione con fuerza el otro extremo de la presilla hasta que encaje en el orificio de montaje del otro lado del soporte.
- Repita el procedimiento con la siguiente presilla.

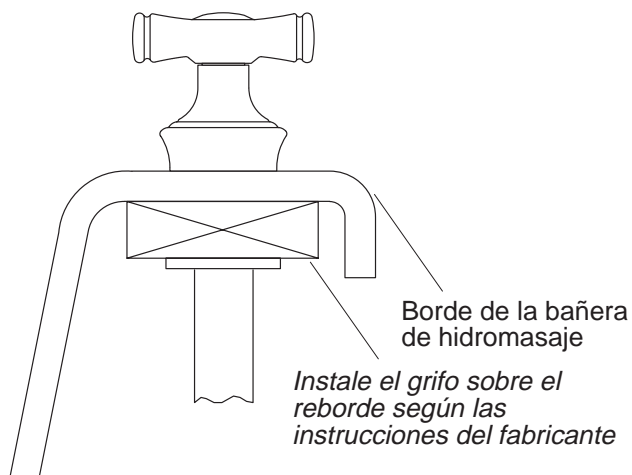
Todos los modelos

- Deslice la bomba (y el calentador, de ser el caso) y el soporte a su lugar.
- Enrosque las tuercas de acoplamiento plásticas de la entrada y salida a la bomba (vea la Fig. 1), hasta tocar el empaque de anillo.
- Asegure cada tuerca no más de otro cuarto de vuelta. **No fije estas tuercas en exceso.**
- Verifique que los tubos del equipo de la bañera estén conectados correctamente (vea la Fig. 2), para facilitar el desagüe de la bomba, a las conexiones de succión. Acuñe la bomba de ser necesario para nivelarla al subsuelo, pero sólo a suficiente altura como para permitir que el agua drene.
NOTA: No acuñe la bomba más de 1/2" (1,3cm). Si se levanta demasiado, la bomba no funcionará correctamente.
- Fije la abrazadera de soporte al piso con cuatro tornillos o pernos de fijación (no incluidos).



4" (10,2cm) 4" (10,2cm)

Mida y corte una pieza de madera laminada de grado exterior de 1/2", de 4" (10,2cm) x 11-1/2" (29,2cm) para el modelo K-1226, o de 4" (10,2cm) x 15-1/2" (39,4cm) para el modelo K-1331



Borde de la bañera de hidromasaje

Instale el grifo sobre el reborde según las instrucciones del fabricante

7. Instale la plomería

⚠ PRECAUCIÓN: Riesgo de daños a la propiedad. Verifique que no haya fugas en ninguna conexión del drenaje.

- Conecte el drenaje al sifón según las instrucciones del fabricante.

AVISO: Construya un panel de acceso para facilitar el mantenimiento futuro.

- Instale las válvulas del grifo según las instrucciones del fabricante. No instale la guarnición de la grifería hasta que se le indique. Abra las válvulas del agua caliente y fría, y verifique que no haya fugas en las conexiones del suministro.
- Abra el agua en la bañera y verifique que no haya fugas en las conexiones del drenaje.

8. Instale un grifo sobre el reborde – K-1226/K-1231

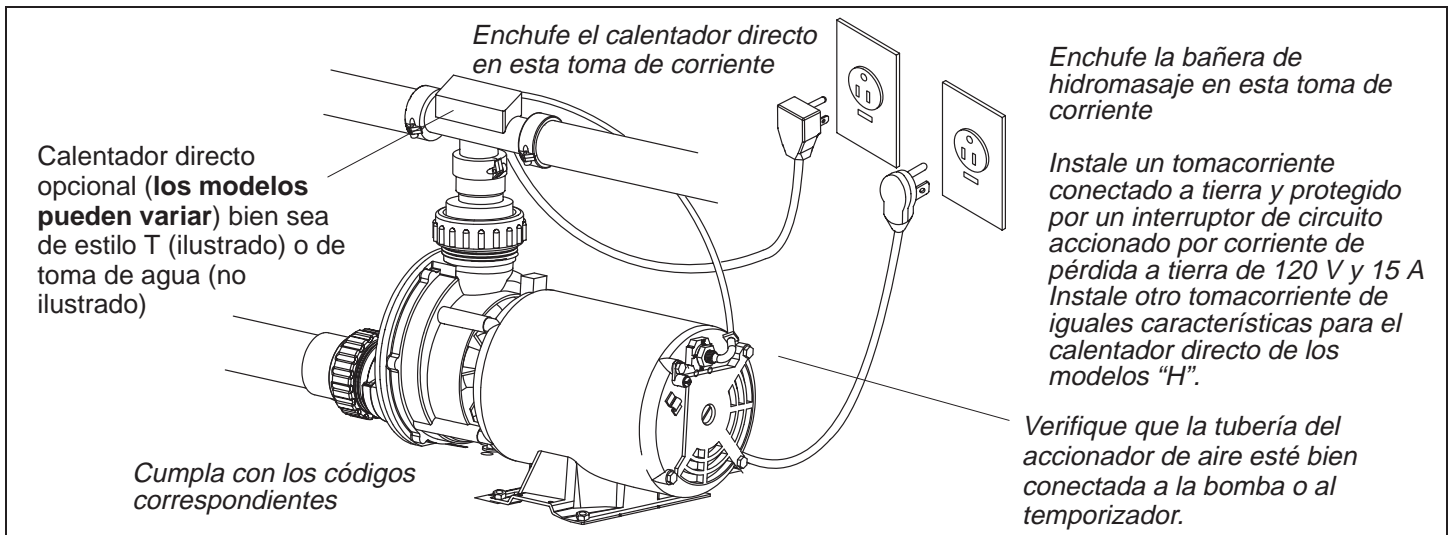
- Mida y corte una pieza de madera laminada de grado exterior de 1/2", de 4" (10,2cm) x 11-1/2" (29,2cm) para el modelo K-1226, o de 4" (10,2cm) x 15-1/2" (39,4cm) para el modelo K-1231.

- El grifo debe estar en el centro del área plana del reborde. Siga las instrucciones del fabricante. Marque con un lápiz la línea central del grifo.

NOTA: El modelo K-1226 acepta grifos con centros de 4" (10,2cm), y el modelo K-1231 acepta grifos con centros de 4" (10,2cm) o centros de 6" (15,2cm).

⚠ PRECAUCIÓN: Riesgo de daños al producto. Coloque un pedazo delgado de cartón tabla sobre la superficie acabada de la bañera de hidromasaje, antes de asegurar la madera laminada en su lugar. Verifique que las grapas que fijan la madera laminada no toquen la superficie acabada de la bañera.

- Coloque un pedazo delgado de cartón tabla sobre la superficie acabada del reborde de la bañera. Coloque la madera laminada en la base del reborde y asegure con grapas. Verifique que las grapas toquen el cartón tabla y **no** la superficie acabada de la bañera de hidromasaje.
- Perfore con cuidado los orificios para el grifo del tamaño indicado por el fabricante. Remueva las grapas y el cartón tabla.
- Instale el grifo sobre el reborde según las instrucciones del fabricante.
- Abra las válvulas del agua caliente y fría, y verifique que no haya fugas en las conexiones del suministro.
- Abra el agua en la bañera y verifique que no haya fugas en las conexiones del drenaje.



9. Instalación de las conexiones eléctricas

⚠ ADVERTENCIA: Riesgo de descarga eléctrica. Para reducir el riesgo de descarga eléctrica, conecte la bomba y el calentador directo a tomacorrientes correctamente conectados a tierra, protegidos por un interruptor de circuito accionado por corriente de pérdida a tierra (GFCI). No remueva las patas de conexión a tierra de los enchufes. No utilice un adaptador de conexión a tierra.

Cableado de la bomba

NOTA: El número de modelo de la bañera de hidromasaje está impreso en una etiqueta cerca de la bomba. Esta etiqueta identifica la clasificación nominal eléctrica del producto.

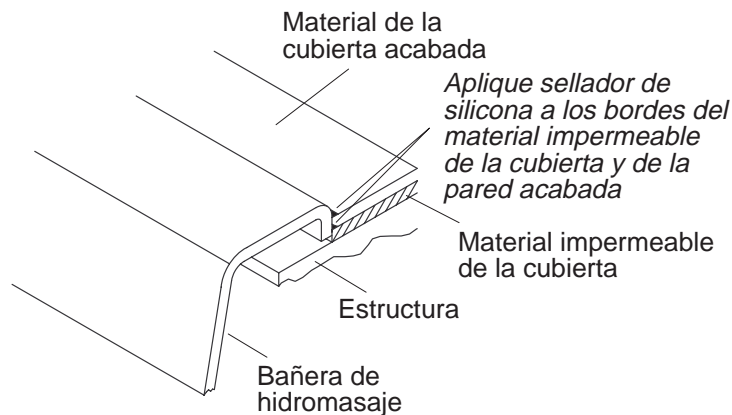
- La bañera de hidromasaje Kohler está equipada con un cable y un enchufe. Todo el cableado de la bomba de agua y el control ha sido completado en la fábrica. El tomacorriente conectado a tierra, de 120 V, 15 A y protegido con GFCI debe ser instalado por un electricista calificado. El circuito no debe tener ninguna otra carga. Coloque el tomacorriente detrás de la bañera de hidromasaje y a 24" (61cm) de la bomba de agua.
- Enchufe la bañera de hidromasaje en esta toma de corriente.

NOTA: Verifique que el tubo del accionador de aire esté bien conectado a la bomba y que no esté doblado o dañado.

- Si se emplea el juego de temporizador K-1639, instálelo ahora de acuerdo a las instrucciones contenidas en el juego.

Cableado del calentador directo

- Modelos "H":** El calentador directo está equipado de un cable y un enchufe. Todo el cableado del calentador ha sido completado en la fábrica. El tomacorriente conectado a tierra, de 120 V, 15 A y protegido con GFCI debe ser instalado por un electricista calificado. El circuito no debe tener ninguna otra carga. Coloque el tomacorriente detrás de la bañera de hidromasaje y a 24" (61cm) del calentador.
- Enchufe el calentador directo en la toma de corriente.



10. Pruebe la bañera de hidromasaje

- Revise todas las conexiones eléctricas y verifique que haya suministro eléctrico en la bañera de hidromasaje y en el calentador directo.
- Verifique que ambas conexiones de unión de la bomba estén aseguradas.
- Verifique que las cintas metálicas hayan sido cortadas y que la base del soporte de la bomba descansa directamente en el subpiso.
- Llene la bañera de hidromasaje al menos 2" (5cm) más arriba del chorro más alto.
- Deje funcionar la bañera por 5 minutos, revise todas las conexiones de la tubería y verifique que no haya fugas.
- Para obtener información adicional acerca del funcionamiento de la bañera de hidromasaje, consulte la sección de funcionamiento apropiado en la Página 21.

11. Complete la pared acabada

- Remueva la cinta protectora del reborde de la bañera de hidromasaje.
- Cubra la estructura con material impermeable. Selle las uniones entre el borde de la bañera de hidromasaje y el material impermeable de la cubierta con sellador de silicona.
- Adhiera el material impermeable a la cubierta con cinta y yeso. Instale la pared acabada con el material impermeable. Selle las uniones entre el borde de la bañera y la cubierta con sellador de silicona.

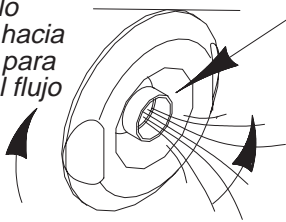
12. Limpieza después de la instalación

- Al limpiar después de la instalación, **no utilice limpiadores abrasivos** pues pueden raspar y opacar la superficie de la bañera de hidromasaje. Utilice agua tibia y detergente líquido para limpiar la superficie.
- Las manchas difíciles de quitar, la pintura y el alquitrán se pueden limpiar con aguarrás y diluyente de pintura. **No permita que limpiadores con destilados del petróleo permanezcan en contacto con las superficies de la bañera de hidromasaje por mucho tiempo.** El yeso se puede remover raspando con un borde de madera. No utilice raspadores de metal, cepillos de alambre ni otras herramientas metálicas. Se puede utilizar un detergente en polvo con un trapo húmedo para proporcionar una acción abrasiva suave para residuos de yeso.



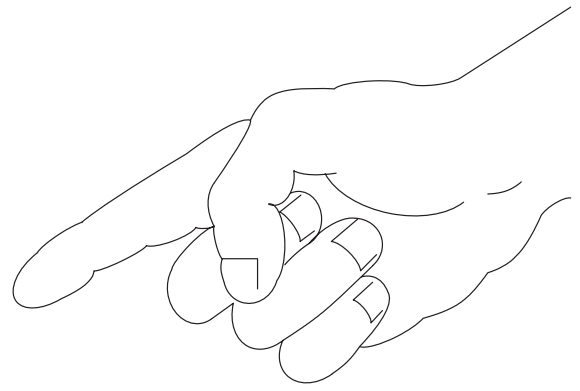
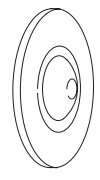
Llene de agua 2" (5cm) por encima del chorro más alto

Gire el anillo decorativo hacia la derecha para disminuir el flujo



Dirija la boquilla de los chorros en la dirección deseada

Gire el anillo decorativo hacia la izquierda para aumentar el flujo



Presione el accionador de aire para encender o apagar la bañera de hidromasaje

13. Verifique el funcionamiento correcto

Llene la bañera de hidromasaje

NOTA: Por favor, lea atentamente estos pasos antes de operar la bañera de hidromasaje.

- Coloque la boquilla de los chorros de manera que esté orientada hacia la pileta. Rote los anillos del chorro totalmente hacia la izquierda.
- Llene la bañera de hidromasaje al menos 2" (5cm) más arriba del chorro más alto.**

NOTA: La temperatura del agua en la bañera no debe exceder 104°F (40°C).

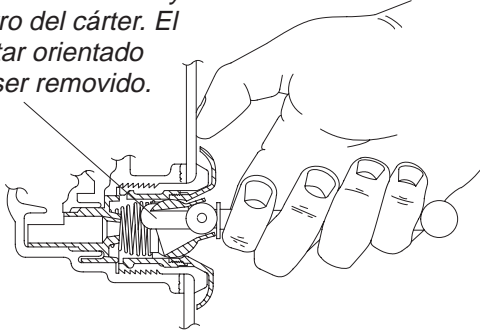
Secuencia de funcionamiento

- Presione el accionador de aire para encender los chorros de la bañera de hidromasaje.
- Ajuste cada chorro para obtener una mezcla óptima de aire/agua. Gire el anillo decorativo hacia la derecha para reducir el flujo de aire, y hacia la izquierda para aumentarlo.
- El calentador directo se activará automáticamente al encender la bomba y permanecerá en funcionamiento hasta apagar la bomba. La temperatura no debe exceder 104°F (40°C).
- Presione nuevamente el accionador de aire para apagar la bañera de hidromasaje.

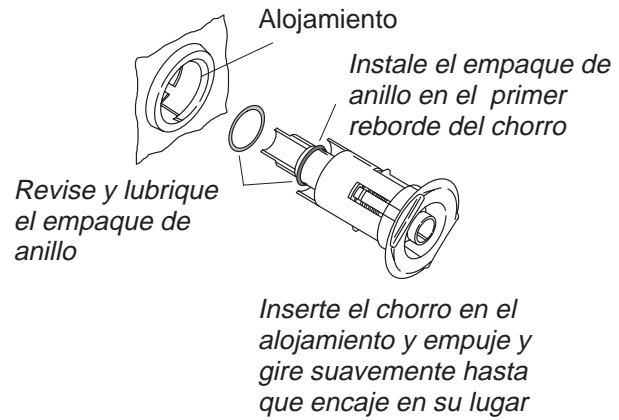
NOTA: El temporizador optativo K-1639 detiene la bañera de hidromasaje automáticamente después de 20 minutos de funcionamiento.

Remueva los chorros

Inserte la herramienta en forma de gancho tal como se ilustra y extraiga el chorro del cárter. El chorro debe estar orientado hacia arriba al ser removido.



Reinstale los chorros



14. Problemas de reparación

Remueva el chorro instalado en la fábrica

NOTA: Se ha incluido una herramienta especial junto al chorro de repuesto, para extraer el chorro de la bañera de hidromasaje. La herramienta está también incluida con cada juego de guarnición.

- Coloque la boquilla redonda del chorro de manera que apunte completamente hacia arriba.
- Inserte la herramienta con el gancho hacia arriba en la abertura del chorro y enganche la parte superior de la boquilla.
- Sostenga la herramienta con fuerza y coloque el dedo pulgar contra la pared de la bañera. Hale el montaje del chorro hasta que se desprenda del orificio. Tenga cuidado de no perder el empaque de anillo.

NOTA: La boquilla debe seguir apuntando hacia arriba, de lo contrario la herramienta no logrará sostenerse.

- Para realizar mantenimiento en las boquillas, introduzca un lápiz en la boquilla y remueva. Después de eliminar la obstrucción, verifique el área y reinstale la boquilla. Estas boquillas son instaladas en los chorros de las bañeras de hidromasaje, únicamente cuando hay 6 o más chorros en el sistema hidromasaje.

Reinstale los chorros

NOTA: El empaque de anillo del chorro debe estar correctamente colocado y lubricado para permitir una fácil rotación y un buen funcionamiento.

- Instale el empaque de anillo en el **primer reborde** del chorro. Lubrique el empaque de anillo con lubricante de silicona para evitar el funcionamiento ruidoso del chorro.
- Inserte el chorro en el alojamiento, y empuje y gire suavemente hasta que se ajuste en su lugar. **No fuerce el chorro.**

NOTA: De estar instalado correctamente, el chorro debe girar con suavidad en ambos sentidos.

Tabla de problemas de reparación

La tabla de problemas de reparación está diseñada únicamente para ayuda general. Todos los problemas eléctricos deben ser resueltos por un representante de servicio autorizado de Kohler o un electricista calificado. Para obtener servicio, póngase en contacto con el vendedor o el distribuidor.

Síntomas	Causas probables	Acción Sugerida
1. La bañera no se enciende/detiene.	A. El motor no tiene suministro eléctrico	A. Oprima dos veces el interruptor de circuito accionado por corriente de pérdida a tierra (GFCI); revise el cableado.
	B. El accionador de aire no funciona.	B. Reemplace el accionador de aire.
	C. La tubería del accionador de aire está desconectada, floja, doblada, tapada o dañada.	C. Conecte, enderece, limpie o reemplace la tubería del accionador de aire.
	D. El motor/bomba no funcionan.	D. Repare o reemplace el motor y la bomba.
2. El motor enciende; no funcionan todos los chorros.	A. Los chorros están cerrados.	A. Rote el anillo decorativo hacia la izquierda para abrirlo.
	B. El chorro no está instalado correctamente.	B. Reinstale el chorro; verifique que el empaque de anillo no haya sufrido daños.
	C. Los chorros están bloqueados.	C. Elimine la obstrucción.
3. El hidromasaje se detiene automáticamente antes de 18 minutos.	A. Se disparó el GFCI.	A. Identifique la fuente de la falla y corríjala.
	B. La succión está bloqueada.	B. Remueva la obstrucción.
	C. Los chorros están bloqueados.	C. Elimine la obstrucción.
	D. El motor se recalentó, activando el dispositivo de protección.	D. Verifique que las ventilaciones del motor no estén tapadas. Elimine la obstrucción y permita que el motor se enfríe. Verifique que no haya bloqueo en la succión. Elimine la obstrucción y permita que el motor se enfríe. Verifique que no haya bloqueo en los chorros. Elimine la obstrucción y permita que el motor se enfríe.
4. La bomba no funciona. (Modelos con bloques de soporte de madera únicamente).	A. La bomba ha sido acuñada demasiado. (Modelos con bloques de soporte de madera únicamente).	A. Disminuya la altura de la abrazadera de soporte de la bomba. (Modelos con bloques de soporte de madera únicamente).
5. Funcionamiento ruidoso.	A. No se cortó las cintas metálicas de la bomba. (Modelos con bloques de soporte de madera únicamente).	A. Corte las cintas metálicas con unas tijeras para chapa. (Modelos con bloques de soporte de madera únicamente).
	B. El empaque de anillo está mal alojado en el chorro.	B. Remueva el chorro, reemplace y lubrique el empaque de anillo. Reinstale el chorro.
6. El calentador no funciona.	A. El calentador no tiene suministro eléctrico.	A. Reinicie el receptor a tierra.
	B. La temperatura excede 104° F (40°C).	B. Permita que el agua enfríe para que el calentador se encienda.
	C. El calentador no funciona.	C. Reemplace el calentador.

Guide d'Installation

Série ProFlex

Baignoire d'hydromassage surbaissée avec pompe sur mesure, 120 V, É.-U.

Renseignements importants

 **AVERTISSEMENT** : Des précautions de base seront observées pour l'installation d'équipements électriques, incluant :

 **DANGER** : **Risque de secousse électrique.** Raccorder uniquement à une prise à la terre, protégée par un disjoncteur de fuite à la terre.

Les matériaux de construction et le câblage doivent être acheminés loin du corps de pompe et d'autres composants conducteurs de chaleur de l'unité.

Installer de façon à permettre l'accès pour l'entretien.


Le disjoncteur différentiel est requis. L'unité doit être installée et mise à la terre par un électricien qualifié.

Branchement électrique requis

Raccorder uniquement à une prise à la terre, protégée par un disjoncteur de fuite à la terre. Le GFCI prévient la possibilité d'un choc électrique. Raccorder la baignoire d'hydromassage à une alimentation indépendante de 120 V, 15 A, 60 Hz.

Les modèles "H" nécessitent d'une alimentation indépendante de 120 V, 15 A, 60 Hz pour le chauffe-eau en ligne.

Directives d'utilisation du produit

 **AVERTISSEMENT** : Des modifications non approuvées pourraient provoquer un fonctionnement dangereux ou un mauvais rendement de la baignoire d'hydromassage. Ne pas relocaliser les pompes d'hydromassage ou effectuer d'autres modifications au système d'hydromassage car il pourrait en résulter une dégradation du rendement de la baignoire d'hydromassage ou cela pourrait affecter son fonctionnement sécuritaire. La société Kohler décline toute responsabilité quant à toute blessure ou endommagement causés par des modifications non autorisées.

 **AVERTISSEMENT** : **Risque de secousse électrique.** Tous les raccords électriques doivent être réalisés par un électricien qualifié.

 **AVERTISSEMENT** : **Risque de secousse électrique.** Débrancher l'alimentation avant de procéder à l'entretien.

 **AVERTISSEMENT** : **Risque de blessures ou de dommages matériels.** Veuillez lire avec attention cette notice avant de commencer l'installation, incluant :

AVIS : Respecter tous les codes de plomberie et de bâtiment locaux.

Pièces assemblées à l'usine

Les composants installés à l'usine comprennent la pompe avec disjoncteur à l'air libre, le commande et le câble d'alimentation électrique. D'autres installations ne seront pas nécessaires.

Les modèles "H" comprennent aussi le chauffe-eau en ligne, assemblé à l'usine.

Le jeu de relais est disponible en option pour ce produit.

La pompe et la tuyauterie de la baignoire d'hydromassage ont été assemblées à l'usine.

Raccordement et Entretien

Avant l'installation, assurez-vous d'avoir suffisamment d'accès pour les raccords finaux.

AVIS : **Faire en sorte qu'il soit possible d'avoir accès aux pompes en tout temps.** Prévoir suffisamment d'accès pour l'entretien futur de la pompe et des commandes. Le panneau d'accès doit être placé tout près de la pompe. Consulter le diagramme de raccordement qui accompagne le produit.

Sommaire

Merci	27
Avant de commencer	27
Outils et matériaux recommandés	27
Préparer le site	28
Préparer la baignoire d'hydromassage	28
Débrancher la pompe	28
Assujettir la baignoire d'hydromassage au sous-plancher-Modèles avec des blocs de renfort	29
Assujettir la baignoire d'hydromassage au sous-plancher-Modèles avec base de baignoire d'hydromassage	30
Installer la pompe	31
Installer la plomberie	32
Installer un robinet sur le rebord	32
Faire le raccordement électrique	33
Faire un essai de fonctionnement de la baignoire d'hydromassage .	34
Compléter le mur fini	34
Nettoyage après l'installation	34
Vérifier le fonctionnement approprié	35
Dépannage	35

Merci d'avoir opté pour les produits de la Société Kohler

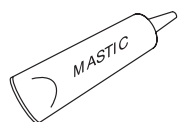
Nous apprécions votre engagement envers la qualité de Kohler. Veuillez lire attentivement cette guide avant de commencer l'installation. En cas de problèmes d'installation ou de fonctionnement, n'hésitez pas à nous contacter. Nos numéros de téléphone et site web sont contenues au plat verso. Merci encore d'avoir choisi des produits Kohler.

Avant de commencer

⚠ ATTENTION : Risque d'endommagement du produit. Ne pas soulever la baignoire par la tuyauterie ou par la pompe. Ne pas utiliser la tuyauterie ou la pompe pour supporter l'unité.

- Nous conseillons une installation surbaissée pour cette baignoire.
- Avant l'installation, examiner la baignoire pour déceler tout dommage.
- Cette baignoire d'hydromassage doit avoir le support nécessaire sur un sous-plancher de niveau.
- S'assurer que l'espace de montage et de raccordement soit suffisant pour l'installation du robinet.

Outils et Matériaux Recommandés



Mastic silicone



Ruban à mesurer



Crayon

Et :

Outils et matériaux pour le bois

Linge

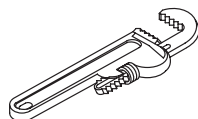
Adhésif de construction (optionnel)

Ciment ou mortier (optionnel)

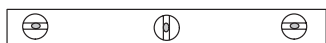
Montants de 2x4 ou de 2x6



Lunettes de protection



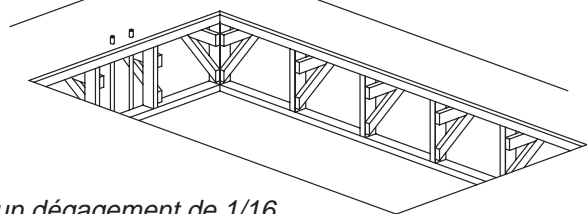
Clé à tuyaux



Niveau

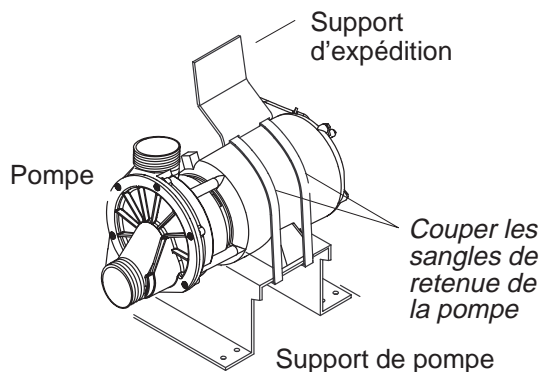
Positionner la plomberie

Préparer l'ossature du plancher, selon le diagramme de raccordement



Laisser un dégagement de 1/16 po (2mm) entre le rebord de la baignoire d'hydromassage et l'ossature.

S'assurer que le sous-plancher puisse supporter suffisamment de poids et qu'il soit de niveau



Modèles avec blocs de renfort illustrés

1. Préparer le site

AVIS : Le support de plancher sous la baignoire doit pouvoir soutenir une charge minimale de 80 lbs./pi carré (390Kg/m²).

AVIS : Ne pas appuyer la baignoire sur le rebord.

- S'assurer que le plancher constitue un support adéquat pour votre baignoire d'hydromassage et que le sous-plancher soit plat et de niveau.
- Cette baignoire d'hydromassage devrait être installée dans un espace surbaissé. Construire une ossature en montants de 2x4 ou de 2x6 pour votre installation. Laisser un dégagement de 1/16 po (2mm) entre le rebord de la baignoire d'hydromassage et l'ossature. Préparer le plancher ou construire une ossature pour une installation sur podium, selon le diagramme de raccordement.
- Disposer et couper soigneusement les matériaux de base du plan de baignoire. Employer le gabarit inclus ou se reporter à l'information du diagramme de raccordement.
- Déterminer l'emplacement de la plomberie, selon le diagramme de raccordement. Fermer les robinets d'arrêt et vérifier s'il y a des fuites.

2. Préparer la baignoire d'hydromassage

- Installer le vidage à la baignoire d'hydromassage selon la notice du fabricant qui accompagne le produit. Ne pas brancher le siphon à ce moment.
- Placer un linge ou matière similaire à la base de la baignoire. Travaillez soigneusement pour ne pas égratigner la surface du produit.

3. Débrancher la pompe

REMARQUE : Pour cette installation, il n'est pas nécessaire de couper aucun tuyau de la baignoire. Cela annulera la garantie.

Modèles avec blocs de renfort

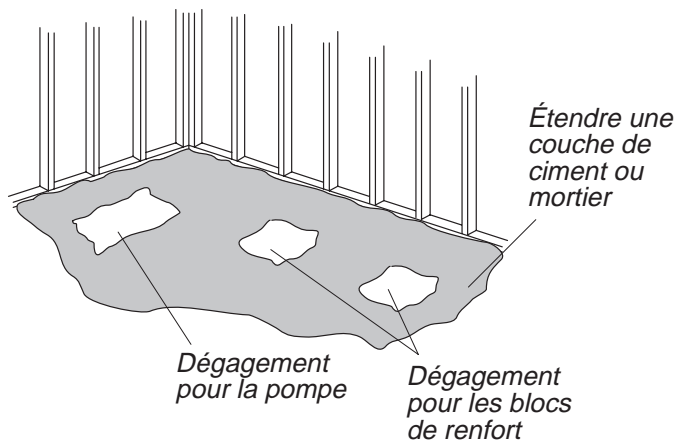
- Débrancher la pompe des supports d'expédition et du chauffe-eau (le cas échéant) en coupant les sangles de retenue de la pompe avec une cisaille de ferblantier.

Modèles avec bac de renfort

- Débrancher la pompe et le chauffe-eau (le cas échéant) du bac de renfort.
- Retirer le support de pompe du harnais.

Tous les modèles :

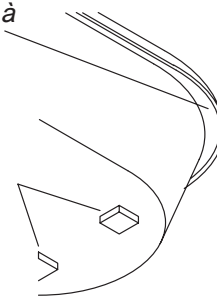
- Changer l'emplacement de la pompe et du chauffe-eau, à côté des raccords sur mesure d'alimentation et d'évacuation du harnais de baignoire d'hydromassage. Il se peut que la pompe dépasse le rebord de baignoire. Voir les détails du diagramme de raccordement.
- Mettre la pompe de côté.



Appliquer un boudin de mastic à la silicone autour du rebord

ou

Appliquer du mastic adhésif de construction aux blocs de renfort



4. Assujettir la baignoire d'hydromassage au sous-sol – Modèles avec blocs de renfort seulement

⚠ ATTENTION : Risque d'endommagement du produit. Ne pas soulever la baignoire par la tuyauterie. Ne pas utiliser la tuyauterie pour supporter l'unité.

⚠ ATTENTION : Risque d'endommagement du produit. Ne pas appuyer la baignoire sur le rebord.

Choisissez l'option qui mieux correspond à votre installation. Suivez les instructions correspondantes.

Si le sous-plancher n'est pas de niveau, placer des blocs de renfort sous la baignoire au besoin. Les cales ne peuvent pas dépasser 1/2 po (1,3cm).

Option pour utilisation de lit de ciment ou de mortier

Étendre une couche de ciment ou mortier de 2 po (5cm) d'épaisseur sur le plancher à l'endroit d'installation de la baignoire. Ceci pour assujettir, mettre de niveau et supporter l'unité. Enlever tout matériau se trouvant au support de la pompe ou à l'emplacement des blocs de support.

REMARQUE : Ne pas utiliser de plâtre dur ou de pâte à jointoyer pour ce type d'installation car ces produits ne procurent pas le scellement requis.

Déposer une bâche de plastique sur le lit de ciment ou de mortier. Avec de l'aide, positionner la baignoire d'hydromassage. Nettoyer tout excédant de ciment ou mortier près de l'aire d'installation de la pompe.

Introduire l'about dans le siphon. S'assurer que l'unité soit de niveau et qu'elle s'appuie sur les blocs de renfort

Enlever la pellicule protectrice du rebord. Appliquer du mastic à la silicone autour du rebord de l'unité.

Option pour l'utilisation de mastic adhésif de construction

Appliquer du mastic adhésif de construction à la base des blocs de renfort. Avec de l'aide, positionner la baignoire d'hydromassage.

Introduire l'about dans le siphon. S'assurer que l'unité soit de niveau et qu'elle s'appuie sur les blocs de renfort.

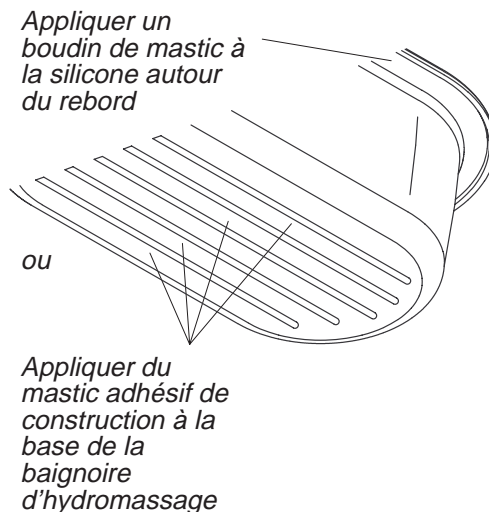
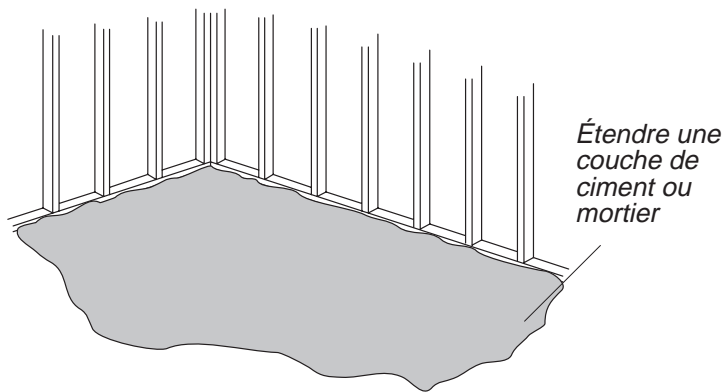
Enlever la pellicule protectrice du rebord. Appliquer du mastic à la silicone autour du rebord de l'unité.

Option d'utilisation de mastic d'échantéité à la silicone



Avec de l'aide, positionner la baignoire d'hydromassage.

Introduire l'about dans le siphon. S'assurer que l'unité soit de niveau et qu'elle s'appuie sur les blocs de renfort.

Enlever la pellicule protectrice du rebord. Appliquer du mastic à la silicone autour du rebord de l'unité.



5. Assujettir la baignoire d'hydromassage au sous-sol—Modèles avec base de baignoire seulement

-  **ATTENTION : Risque d'endommagement du produit.** Ne pas soulever la baignoire par la tuyauterie. Ne pas utiliser la tuyauterie pour supporter l'unité.
-  **ATTENTION : Risque d'endommagement du produit.** Ne pas appuyer la baignoire sur le rebord.
- Choisissez l'option qui mieux correspond à votre installation. Suivez les instructions correspondantes.**
- Si le sous-plancher n'est pas de niveau, placer des cales sous la baignoire au besoin.

Option pour utilisation de lit de ciment ou de mortier

- Étendre une couche de ciment ou mortier de 2 po (5cm) d'épaisseur sur le plancher à l'endroit d'installation de la baignoire. Ceci pour assujettir, mettre de niveau et supporter l'unité.
REMARQUE : Ne pas utiliser de plâtre dur ou de pâte à jointoyer pour ce type d'installation car ces produits ne procurent pas le scellement requis.
- Avec de l'aide, positionner la baignoire d'hydromassage. Nettoyer tout excédant de ciment ou mortier près de l'aire d'installation de la pompe.
- Introduire l'about dans le siphon. Vérifier que la baignoire soit de niveau. Assujettir la base de la pompe au plancher avec des vis ou des tire-fonds. Percer des trous de guide petits à la base de la baignoire, au besoin.
- Enlever la pellicule protectrice du rebord. Appliquer du mastic à la silicone autour du rebord de l'unité.

Option pour l'utilisation de mastic adhésif de construction

- Appliquer du mastic adhésif de construction à la base de la baignoire d'hydromassage. Avec de l'aide, positionner la baignoire d'hydromassage.
- Introduire l'about dans le siphon. S'assurer que l'unité soit de niveau et qu'elle s'appuie sur les blocs de renfort. Assujettir la base de la pompe au plancher avec des vis ou des tire-fonds. Percer des trous de guide petits à la base de la baignoire, au besoin.
- Enlever la pellicule protectrice du rebord. Appliquer du mastic à la silicone autour du rebord de l'unité.

Option d'utilisation de mastic d'échantéité à la silicone

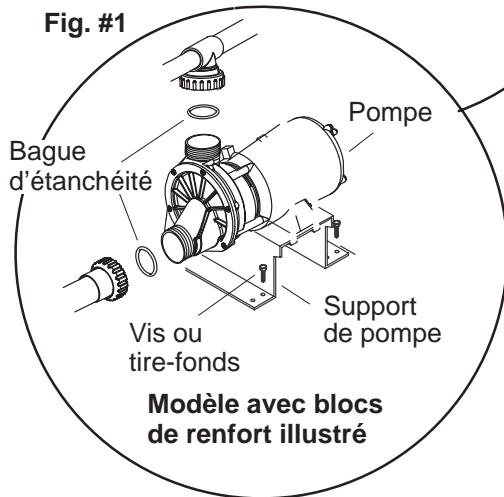
- Avec de l'aide, positionner la baignoire d'hydromassage.
- Introduire l'about dans le siphon. Vérifier que la baignoire soit de niveau. Assujettir la base de la pompe au plancher avec des vis ou des tire-fonds. Percer des trous de guide petits à la base de la baignoire, au besoin.
- Enlever la pellicule protectrice du rebord. Appliquer du mastic à la silicone autour du rebord de l'unité.

Lorsque l'on installe la pompe, s'assurer de retirer les bouchons de la tuyauterie d'arrivée et d'évacuation d'eau.

Changer l'emplacement de la pompe

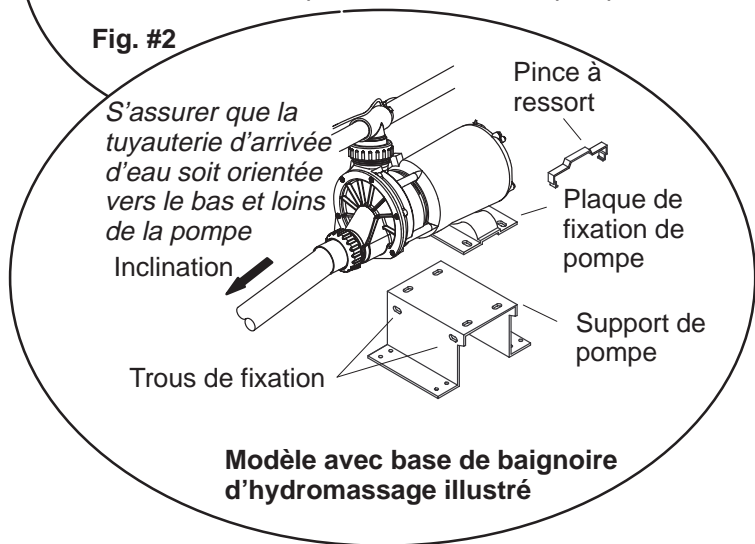
Prévoir d'accès pour l'entretien de la pompe

Fig. #1



Modèle avec blocs de renfort illustré

Fig. #2



Modèle avec base de baignoire d'hydromassage illustré

6. Changer l'emplacement de la pompe et l'installer

Tous les modèles - Voir la Fig. 1

- Changer l'emplacement de la pompe (et du chauffe-eau), à côté des raccords sur mesure d'alimentation et d'évacuation du harnais de baignoire d'hydromassage. Il se peut que la pompe dépasse le rebord de baignoire.
- Débarrer le harnais de baignoire d'hydromassage. Couper seulement les câbles qui soutiennent les écrous de raccordement du harnais.
- Retirer les bouchons de la tuyauterie d'arrivée et d'évacuation d'eau. Installer les joints toriques dans les rainures des raccordements d'arrivée et d'évacuation d'eau.

Modèles avec base de baignoire - Voir la Fig. 2

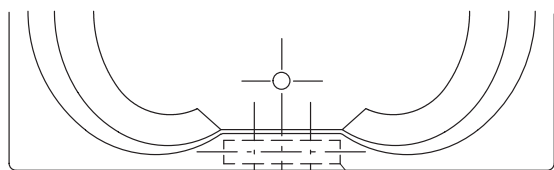
- Placer la pompe sur le support.
- Positionner une pince à ressort sur la plaque de fixation de pompe, puis introduire une extrémité dans le trou de fixation.
- Presser fermement l'autre extrémité de la pince à ressort pour qu'elle s'engraine dans le trou de fixation, du côté opposé du support.
- Faire de Même pour la deuxième pince à ressort.

Tous les modèles :

- Glisser la pompe (et le chauffe-eau, le cas échéant) et le support en place.
- Visser les écrous plastiques de raccordement de la tuyauterie d'arrivée et d'évacuation à la pompe (voir Fig. 1), jusqu'au contact du joint torique.
- Ne pas serrer les écrous plus d'un quart de tour additionnel. **Ne pas serrer excèsivement ces écrous.**
- S'assurer que la tuyauterie du harnais de baignoire soit inclinée comme décrit (voir la Fig. 2) pour faciliter l'évacuation d'eau de la pompe par les raccords d'aspiration. Placer des cales sous la pompe au besoin, assez pour permettre l'évacuation d'eau par la tuyauterie d'aspiration.

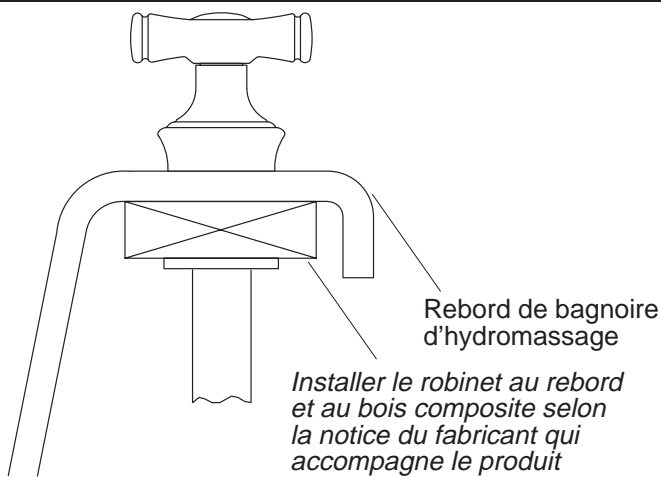
REMARQUE : Ne pas ajouter des cales sous la pompe à plus de 1/2 po (1,3cm). Si la pompe est trop élevée, elle ne s'amorcera pas correctement.

- Fixer le support de pompe au plancher avec quatre vis ou des tire-fonds (non fournis).



4" (10,2cm)

Mesurer et couper une pièce de bois composite de 1/2 po pour l'extérieur de 4 po (10,2cm) x 11-1/2 po (29,2 cm) pour le modèle K-1226, ou de 4 po (10,2 cm) x 15-1/2 po (39,4 cm) pour le modèle K-1331



Rebord de baignoire d'hydromassage

Installer le robinet au rebord et au bois composite selon la notice du fabricant qui accompagne le produit

7. Installer la plomberie

ATTENTION : Risque de dommages matériels. Assurer un joint étanche sur les raccords du vidage.

- Installer le vidage au siphon selon la notice du fabricant qui accompagne le produit.

AVIS : Un panneau d'accès facilitera l'entretien future.

- Assembler le robinet conformément à la notice du fabricant. Ne pas installer l'enjoliveur du robinet avant l'instruction de le faire. Ouvrir les robinets d'arrêt et vérifier s'il y a des fuites.
- Laisser couler l'eau dans la baignoire d'hydromassage et vérifier s'il y a des fuites dans les raccords du vidage.

8. Installer un robinet sur le rebord – K-1226/K-1231

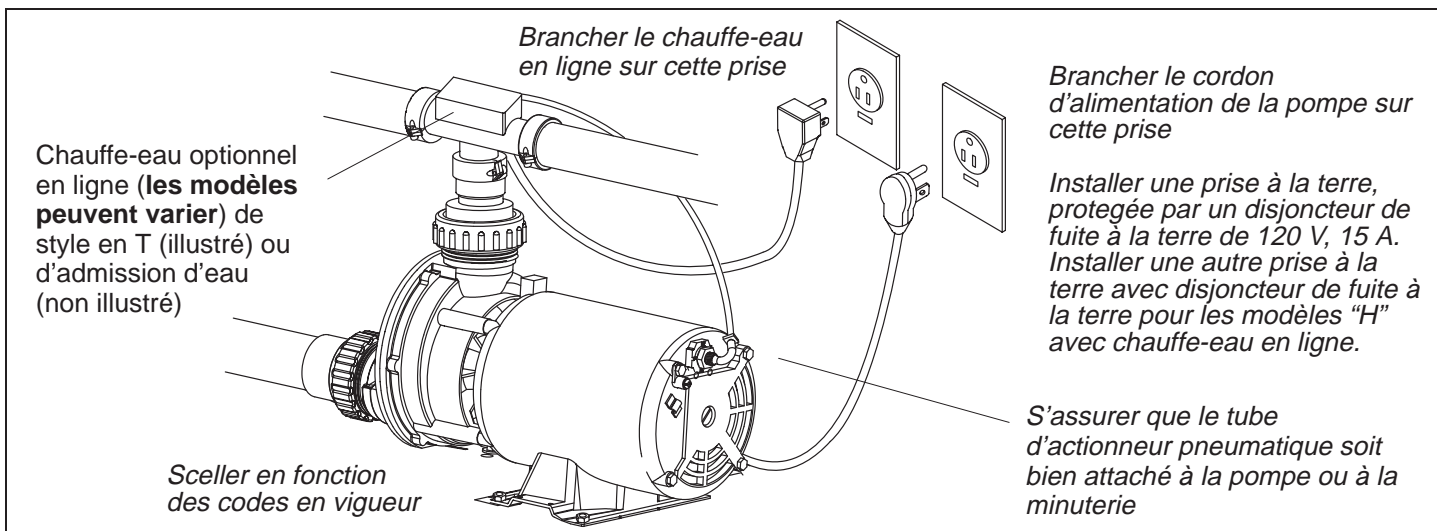
- Mesurer et couper une pièce de bois composite de 1/2 po pour l'extérieur de 4 po (10,2cm) x 11-1/2 po (29,2 cm) pour le modèle K-1226, ou de 4 po (10,2 cm) x 15-1/2 po (39,4 cm) pour le modèle K-1231.

- Le robinet devrait être placé au centre de l'aire plate du rebord. Se reporter aux directives du fabricant du robinet. Marquer les axes du robinet avec un crayon.

REMARQUE : Le modèle K-1226 accepte des robinets à entraxe de 4 po (10,2 cm), tandis que le modèle K-1231 accept des robinets à entraxe de 4 po (10,2 cm) ou de 6 po (15,2cm).

ATTENTION : Risque d'endommagement du produit. Placer le carton sur la surface de la baignoire d'hydromassage avant de fixer le bois composite en place. S'assurer que les attaches ne soient pas directement au contact de la surface de la baignoire.

- Placer le carton sur le rebord de la surface de la baignoire. Positionner le bois composite à la base du rebord et assujétir à sa place avec les attaches. Les attaches doivent être au contact du carton et **non** de la surface de la baignoire.
- Percer les trous du robinets requis selon le fabricant du robinet. Enlever les attaches et le carton.
- Installer le robinet au rebord et au bois composite selon la notice du fabricant qui accompagne le produit.
- Ouvrir les robinets d'arrêt et vérifier s'il y a des fuites.
- Laisser couler l'eau dans la baignoire d'hydromassage et vérifier s'il y a des fuites dans les raccords du vidage.



9. Faire le raccordement électrique

⚠ AVERTISSEMENT : Risque de secousse électrique. Afin de réduire les risques de choc électrique, raccorder la pompe et le chauffe-eau en ligne à une prise à la terre, protégée par un disjoncteur de fuite à la terre. Ne pas retirer la broche de mise à la terre. Ne pas utiliser d'adaptateurs de mise à la terre.

Cablage de pompe

REMARQUE : Le numéro de modèle de la baignoire se trouve dans l'étiquette près de la pompe. Cette étiquette identifie les caractéristiques électriques nominales du produit.

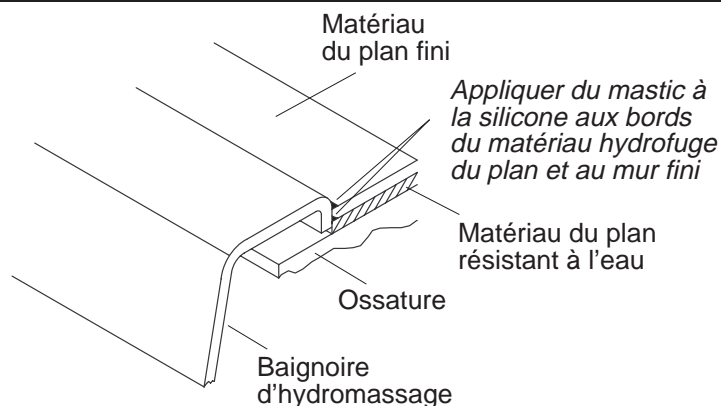
- La baignoire d'hydromassage Kohler est dotée d'une fiche et d'un cordon d'alimentation. Tout le câblage de la pompe et de la commande a été effectué en usine. Deux sorties de mise à la terre de 120 V, 15 A protégées par disjoncteur de fuite à la terre doivent être installées par un électricien agréé. Aucune autre charge ne devrait exister sur ces circuits. Localiser le conduit d'évacuation derrière la baignoire d'hydromassage, à moins de 24 po (61cm) de la pompe.
- Brancher le cordon d'alimentation de la pompe sur cette prise.

REMARQUE : S'assurer d'assujettir fermement le tube d'actionneur à la pompe, sans le pincer ou plier.

- Si l'on emploie le jeu de relais K-1639, l'installer à ce moment selon la notice d'installation contenue avec le jeu.

Cablage de chauffe-eau en ligne

- Modèles "H" :** Le chauffe-eau en ligne est doté d'une fiche et d'un cordon d'alimentation. Tout le câblage du chauffe-eau a été effectué en usine. Deux sorties de mise à la terre de 120 V, 15 A protégées par disjoncteur de fuite à la terre doivent être installées par un électricien agréé. Aucune autre charge ne devrait exister sur ces circuits. Localiser le conduit d'évacuation derrière la baignoire d'hydromassage, à moins de 24 po (61cm) du chauffe-eau.
- Brancher le chauffe-eau en ligne sur la prise.



10. Faire un essai de fonctionnement de la baignoire d'hydromassage

- Contrôler tous les raccordements électriques de l'appareil et du chauffe-eau et s'assurer que l'alimentation électrique soit en circuit.
- S'assurer que tous les raccords de la pompe et le chauffe-eau en ligne soient fermement serrés à la main.
- S'assurer également que les sangles de retenue des pompes aient été sectionnées et que le support de pompe repose directement sur le support de sol.
- Remplir la baignoire à au moins 2 po (5cm) au-dessus du gicleur le plus élevé.
- Faire fonctionner le bain à hydromassage pendant 5 minutes et vérifier tous les raccords du réseau d'hydromassage pour déterminer s'il y a des fuites.
- Pour plus d'information concernant le fonctionnement de votre baignoire d'hydromassage, voir la rubrique Confirmation du bon fonctionnement de votre appareil à la Page 32.

11. Compléter le mur fini

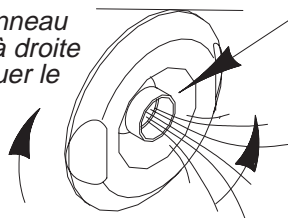
- Retirer soigneusement la pellicule de protection recouvrant la surface de la baignoire d'hydromassage si cela n'a pas été fait précédemment.
- Recouvrir l'ossature avec du matériau résistant à l'eau. Fixer les joints entre le rebord de la baignoire d'hydromassage et le matériau du plan à l'aide de mastic à la silicone.
- Appliquer le matériau hydrofuge du plan. Installer le mur fini sur le matériau hydrofuge du plan. Fixer les joints entre le rebord de la baignoire et le plan fini à l'aide de mastic à la silicone.

12. Nettoyage après l'installation

- Après l'installation, **ne pas utiliser d'abrasifs** ; ces produits égratignent et abîment la surface de la baignoire d'hydromassage. Nettoyez la surface avec un savon doux et de l'eau tiède.
- Les taches rebelles, la peinture ou le goudron peuvent être nettoyés au moyen de la térébenthine ou du solvant à peinture. **Ne pas laisser longtemps des produits à base de pétrole sur la surface de la baignoire.** Les résidus de plâtre peuvent être nettoyés au moyen d'un bord en bois. Ne pas utiliser des grattoirs en métal, des brosses en fil de fer ou d'autres outils en métal. Il est possible d'utiliser des nettoyants en poudre sur un linge mouillé pour une action abrasive douce.

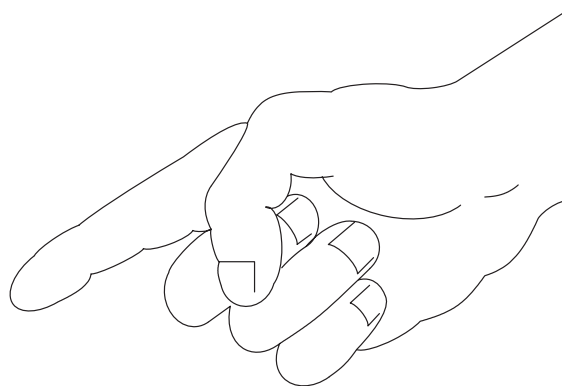
Remplir à 2 po (5cm) au-dessus du gicleur le plus élevé.

Tourner l'anneau du gicleur à droite pour diminuer le débit d'eau



Orienter les buses des gicleurs vers la direction désirée

Tourner l'anneau du gicleur à gauche pour augmenter le débit d'eau



Enfoncer sur l'actionneur pour activer ou arrêter la baignoire d'hydromassage

13. Vérifier le fonctionnement approprié

Remplir la baignoire d'hydromassage

REMARQUE : Veuillez lire avec attention cette section avant de faire fonctionner la baignoire d'hydromassage.

- Orienter les buses des gicleurs Flexjet vers le fond de la baignoire. Tourner complètement les anneaux du gicleur dans le sens antihoraire.
- Remplir la baignoire à au moins 2 po (5cm) au-dessus du gicleur le plus élevé.

REMARQUE : La température de la baignoire ne doit pas excéder des 104°F (40°C).

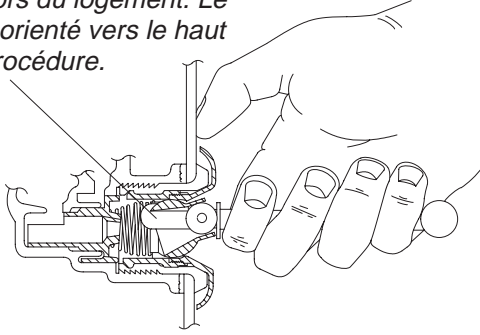
Séquence de fonctionnement

- Enfoncer sur l'actionneur pour activer les gicleurs de baignoire.
- Ajuster chaque gicleur pour un mélange optimale d'eau et d'air. Tourner l'anneau à droite pour réduire le débit d'air, ou à gauche pour l'augmenter.
- Le chauffe-eau s'activera automatiquement avec le fonctionnement de la pompe, et il s'arrêtera quand la pompe s'éteint. La température de l'eau ne doit jamais excéder de 104°F (40°C).
- Enfoncer sur l'actionneur une seconde fois, pour arrêter la baignoire d'hydromassage.

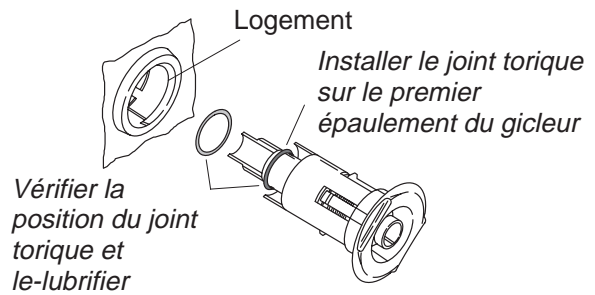
REMARQUE : La minuterie optionnelle K-1639 arrête automatiquement la baignoire d'hydromassage après environ 20 minutes de fonctionnement.

Enlever les gicleurs

Insérer le crochet tel qu'illustré et tirer le gicleur hors du logement. Le gicleur doit être orienté vers le haut pendant cette procédure.



Réinstaller les gicleurs



Insérer le gicleur dans le logement, pousser légèrement et tourner jusqu'à ce qu'il s'enclenche en place.

14. Procédures de dépannage

Retirer le gicleur installé à l'usine

REMARQUE : Le gicleur de remplacement comprend un outil qui vous permettra d'enlever le gicleur de la baignoire d'hydromassage. L'outil est aussi contenu avec chaque jeu de garniture.

- Orienter la buse de gicleur complètement vers le haut.
- Insérer l'outil dans l'orifice de gicleur avec le crochet vers le haut, et engrener au dessus de la buse.
- Tenir l'outil fermement et placer le pouce contre la paroi de baignoire. Retirer l'ensemble de gicleur du logement. Faire attention de ne pas perdre le joint torique.

REMARQUE : La buse doit être orientée vers le haut pour que le crochet reste en place.

- Pour l'entretien des trous de débit, introduire un crayon dans la buse de gicleur et retirer le logement. Après avoir dégagé l'orifice, réinstaller. Ces orifices se trouvent dans les gicleurs de baignoire d'hydromassage, lorsque le système contient six gicleurs ou plus.

Réinstaller les gicleurs

REMARQUE : Le joint torique du gicleur doit être positionné correctement, en bon état et lubrifié adéquatement afin d'assurer la rotation et le bon fonctionnement du gicleur.

- Installer le joint torique sur le **premier épaulement** du gicleur. Lubrifier le joint torique avec de la silicone, afin d'éviter le fonctionnement bruyant du gicleur.
- Insérer soigneusement le gicleur dans le logement, pousser légèrement et tourner jusqu'à ce qu'il s'enclenche en place. **Ne pas forcer le gicleur.**

REMARQUE : Le gicleur, lorsqu'il est bien installé, doit bien tourner dans tous les sens.

Tableau de dépannage

Cette guide de dépannage est destiné à procurer une aide générale seulement. Un technicien autorisé de Kohler ou un électricien compétent devraient voir à la réparation de tout problème électrique. Pour une réparation sous garantie, communiquer avec le distributeur ou le détaillant.

Symptômes	Cause Probable	Action recommandée
1. La baignoire d'hydromassage ne démarre pas ni s'arrête pas.	A. L'alimentation est interrompue au moteur.	A. Régler/réinitialiser le disjoncteur différentiel, contrôler le câblage.
	B. L'actionneur d'air ne fonctionne pas.	B. Remplacer l'actionneur.
	C. Le tube d'actionneur est débranché, desserré, pincé, bouché ou endommagé.	C. Brancher, serrer, nettoyer ou remplacer le tube d'actionneur.
	D. Le moteur de pompe ne fonctionne pas.	D. Réinstaller ou remplacer la pompe/moteur.
2. Le moteur démarre, aucun gicleur ne fonctionne.	A. Le gicleur est fermé.	A. Tourner l'anneau de gicleur à gauche pour ouvrir.
	B. Le gicleur n'est pas installé correctement.	B. Réinstaller le gicleur. S'assurer que le joint torique ne soit pas endommagé.
	C. Les gicleurs sont bouchés.	C. Dégager ce qui bouche.
3. La baignoire d'hydromassage s'arrête automatiquement avant 18 minutes.	A. Le GFCI se déclenche.	A. Identifier la source du problème puis y remédier.
	B. La conduite d'aspiration du débit est bloquée.	B. Éliminer l'obstruction.
	C. Les gicleurs sont bouchés.	C. Dégager ce qui bouche.
	D. Le moteur est surchauffé et le disjoncteur est activé.	D. Vérifier si la prise d'air du moteur n'est pas bouché. Éliminer l'obstruction et laisser refroidir le moteur. Vérifier si la conduite d'aspiration n'est pas bouchée. Éliminer l'obstruction et laisser refroidir le moteur. Vérifier si les gicleurs ne sont pas bouchés. Éliminer l'obstruction et laisser refroidir le moteur.
4. La pompe ne s'amorce pas. (Modèles avec des blocs de support en bois seulement).	A. La pompe est en position trop élevée. (Modèles avec des blocs de support en bois seulement).	A. Abaisser le support de pompe. (Modèles avec des blocs de support en bois seulement).
5. Le fonctionnement est bruyant.	A. Les sangles de retenue de la pompe n'ont pas été coupées. (Modèles avec des blocs de support en bois seulement).	A. Couper les sangles de retenue avec une cisaille de ferblantier. (Modèles avec des blocs de support en bois seulement).
	B. Le joint torique est mal logé.	B. Retirer le gicleur, remplacer et lubrifier le joint torique. Réinstaller le gicleur.
6. Le chauffe-eau ne fonctionne pas.	A. L'alimentation est interrompue au chauffe-eau.	A. Réinitialiser le disjoncteur différentiel.
	B. La température de l'eau excède de 104°F (40°C).	B. Lorsque l'eau refroidit suffisamment, la reprise du chauffe-eau aura lieu.
	C. Le chauffe-eau ne fonctionne pas.	C. Remplacer le chauffe-eau.

USA: 1-800-4-KOHLER
Mexico: 001-877-680-1310
Canada: 1-800-964-5590
kohler.com

THE BOLD LOOK
OF **KOHLER**®

©2002 Kohler Co.

1011090-2-B