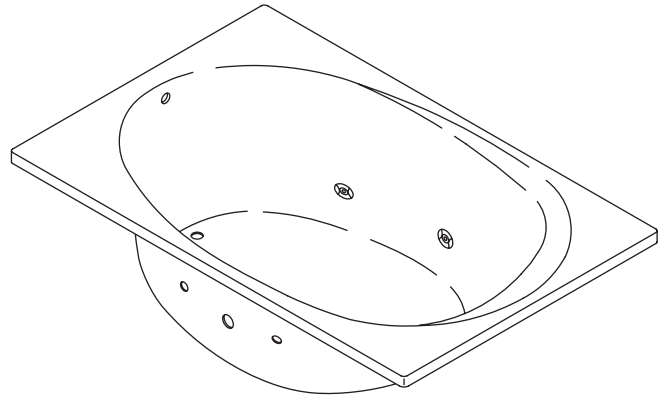


### Features

- Acrylic
- Drop-in
- 6 individually adjustable ProFlex® hydro-massage jets
- 1.25 hp pump with air switch and grounding-type plug-in cord
- Molded lumbar supports and armrests
- Optional K-9696 whirlpool trim kit in various finishes
- Optional K-1223 non-removable apron
- Optional K-1717 ProFlex® 20-minute timer kit
- 72" (182.9 cm) x 48" (121.9 cm) x 23" (58.4 cm)

### CUSTOM BATH WHIRLPOOL K-1221-CB ALSO K-1221-CE



### Codes/Standards Applicable

Specified model meets or exceeds the following:

- ASME A112.19.7M
- ANSI Z124.1.2
- IAPMO/UPC
- Underwriters Laboratories (UL)

### Colors/Finishes

- 0: White
- Other: Refer to Price Book for additional colors/finishes

### Accessories

- CP: Polished Chrome
- PB: Vibrant® Polished Brass
- NA: None applicable
- Other: Refer to Price Book for additional colors/finishes

### Specified Model

Model	Description	Colors/Finishes	
K-1221-CB	Drop-in bath whirlpool, custom pump	<input type="checkbox"/> 0	<input type="checkbox"/> Other_____
K-1221-CE	Drop-in bath whirlpool, custom pump	<input type="checkbox"/> 0	<input type="checkbox"/> Other_____

Recommended Accessories			
K-7161-AF	Pop-up drain	<input type="checkbox"/> CP	<input type="checkbox"/> PB <input type="checkbox"/> Other_____

Optional Accessories			
K-1223	Non-removable apron	<input type="checkbox"/> 0	<input type="checkbox"/> Other_____
K-1717	20-minute timer kit		<input type="checkbox"/> NA
K-9696	Jet trim kit – metal finishes	<input type="checkbox"/> CP <input type="checkbox"/> PB	<input type="checkbox"/> Other_____

### Product Specification

The acrylic bath whirlpool shall be 72" (182.9 cm) in length, 48" (121.9 cm) in width, and 23" (58.4 cm) in height. Bath shall be drop-in style. Bath whirlpool shall have 6 individually adjustable ProFlex hydro-massage jets, a 1.25 hp pump with air switch and grounding-type plug-in cord. Bath whirlpool shall have molded lumbar supports and armrests. Bath whirlpool shall have an optional K-1223 non-removable apron, an optional K-1717 20-minute timer kit, and an K-9696 jet trim kit. Bath whirlpool shall be Kohler Model K-1221-\_\_\_\_\_-\_\_\_\_\_.

# SEADREAM®

## Technical Information

Fixture*:	
Bathing well:	
Basin area, bottom	47" (119.4 cm) x 37" (94 cm)
Basin area, top	67" (170.2 cm) x 42" (106.7 cm)
Weight	120 lbs (54.4 kg)
To overflow:	
Water depth	16-7/8" (42.9 cm)
Capacity	122 gal (461.8 L)
Drop-in cutout:	70-1/4" (178.4 cm) x 46-1/4" (117.5 cm)
* Approximate measurements for comparison only.	

Pump:	HP	V	Hz	A
1-speed	1.25	120	60	7.5

## Required Electrical Service

Two dedicated circuits required, protected with Class A Ground-Fault Circuit-Interrupter (GFCI):	
Pump/control	120 V, 15 A, 60 Hz
Locate the outlets behind the whirlpool and within 24" (61 cm) of the pump.	

## Installation Notes

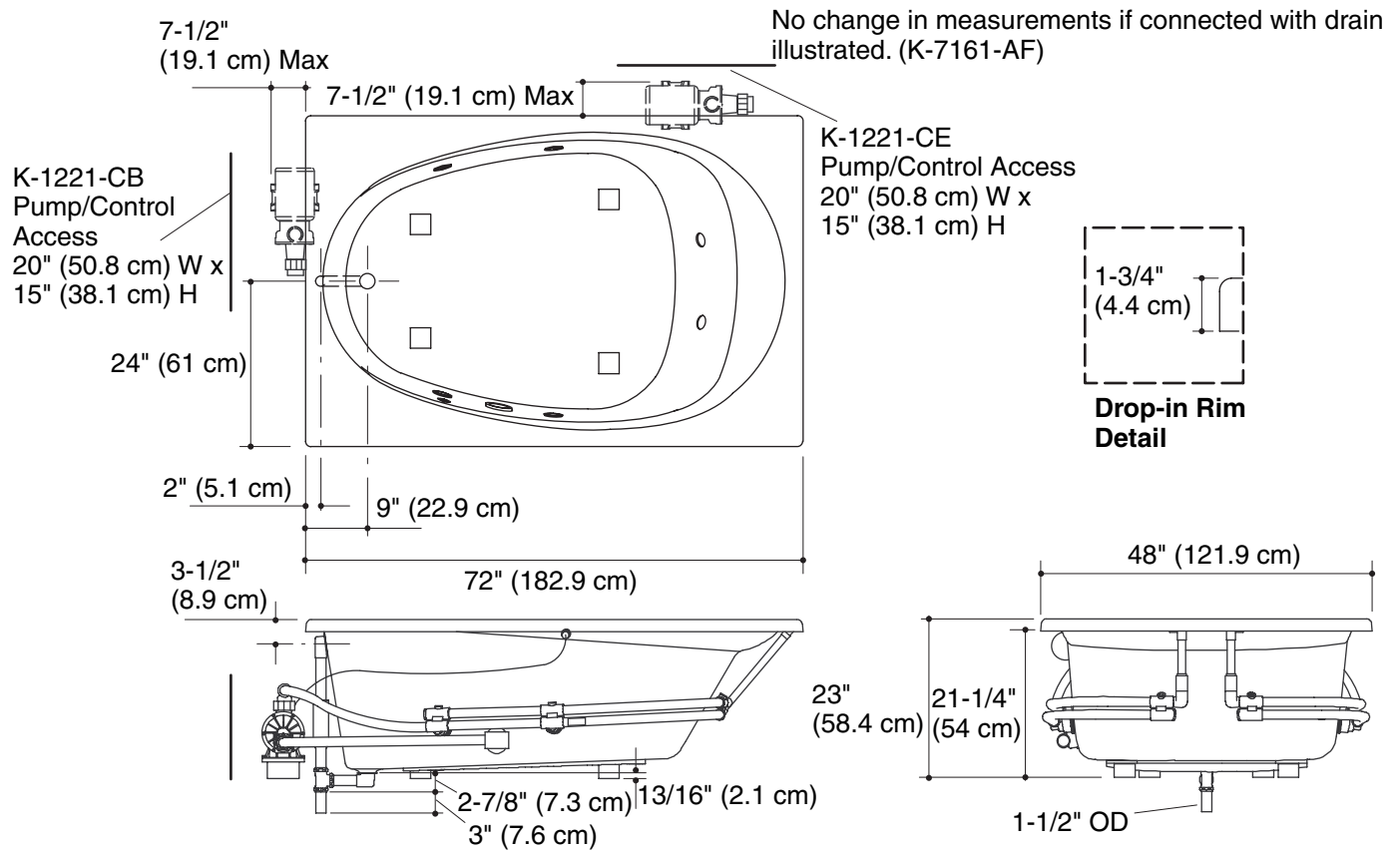
Install this product according to the installation guide.

Floor support under this product must provide for a minimum of 49 lbs/square foot (238 kg/square meter) loading.

The hot water supply should be 70% of the capacity of the bath or greater. Installations will vary.

The apron must be installed before the finished floor and wall materials are installed.

Pump must be relocated to custom position at the time of installation. Provide adequate clearance.



## Product Diagram