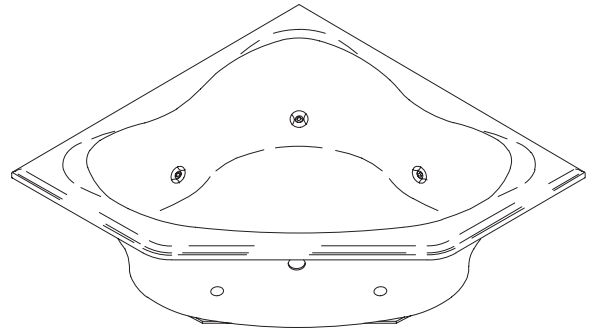


### ACRYLIC BATH WHIRLPOOL WITH HEATER

# K-1244-H, K-1244-FH

#### FEATURES

- 60" (152.4cm) x 60" (152.4cm) x 21" (53.3cm)
- Acrylic
- Drop-in or corner wall
- 5 individually adjustable ProFlex hydro-massage jets
- 1-1/4 HP pump with air switch and cord with plug
- In-line heater
- UL listed
- Optional K-1243 separate apron
- Optional K-9695 whirlpool trim kit in various finishes
- Optional K-1639 timer kit



#### CODES/STANDARDS APPLICABLE

Specified model meets or exceeds the following:

- ASME/ANSI A112.19.7M
- ANSI Z124.1
- IAPMO/UPC
- Underwriters Laboratories (UL)
- State of Massachusetts

#### COLORS/FINISHES

- 0 White
- Other Refer to Fixtures Price Book for additional colors

#### Accessories:

- CP Polished Chrome
- PB Polished Brass
- Other Refer to Price Book for additional finishes
- NA None Applicable

#### SPECIFIED MODEL:

Model	Description	Colors/Finishes	
K-1244-H	Whirlpool, drop-in, left-hand pump (shown)	<input type="checkbox"/> 0 White	<input type="checkbox"/> Other _____
K-1244-FH	Whirlpool, integral tile flange, left-hand pump	<input type="checkbox"/> 0 White	<input type="checkbox"/> Other _____

Recommended Accessories				
K-7161-AF	Drain	<input type="checkbox"/> CP	<input type="checkbox"/> PB	<input type="checkbox"/> Other _____

Optional Accessories				
K-1243	Separate apron with removable panel for front access	<input type="checkbox"/> 0 White	<input type="checkbox"/> Other _____	
K-9695	Jet trim kit (metal finishes)	<input type="checkbox"/> CP	<input type="checkbox"/> PB	<input type="checkbox"/> Other _____
K-1639	Timer Kit	<input type="checkbox"/> NA		

#### PRODUCT SPECIFICATION:

The bath whirlpool shall be 60" (152.4cm) in length, 60" (152.4cm) in width, and 21" (53.3cm) in height. Bath whirlpool shall be made of acrylic, drop-in or corner wall installation. Bath whirlpool shall have 5 individually adjustable ProFlex hydro-massage jets, 1-1/4 HP pump with air switch and cord with plug and in-line heater with cord and plug. Bath whirlpool shall be UL listed. Bath whirlpool shall have optional K-1243 separate apron. Bath whirlpool shall have optional K-9695 trim kit. Bath whirlpool shall have optional K-1639 timer kit. Bath whirlpool shall be Kohler Model K-1244-\_\_\_\_\_-\_\_\_\_\_-\_\_\_\_\_.

## PRODUCT INFORMATION

Fixture*:	basin area	top area	weight
Bathing well	50" (127cm) x 42" (106.7cm)	60" (152.4cm) x 46" (116.8cm)	123 lbs. (55.8kg)
	water depth	capacity	
To overflow	14-1/2" (36.8cm)	102 gal. (386.1L)	

\* Approximate measurements for comparison only.

Pump:	HP	V	Hz	A
1-speed	1-1/4	120	60	7.5
Heater:	kw	V	Hz	A
	1.5	120	60	12.5

Included Components:

Cut-out template	113925-7
------------------	----------

## REQUIRED ELECTRICAL SERVICE

Two dedicated circuits required, each protected with Class A Ground-Fault Circuit-Interrupter (GFCI):

Pump/control	120 V, 15 A, 60 Hz
--------------	--------------------

Heater	120 V, 15 A, 60 Hz
--------	--------------------

Locate the outlets behind the whirlpool and within 24" (61cm) of the pump and heater.

## INSTALLATION NOTES

Install this product according to the installation guide.

Floor support under whirlpool must provide for a minimum of 80 lbs./square foot (390 Kg./square meter) loading.

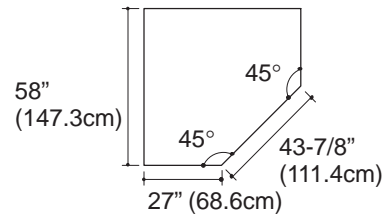
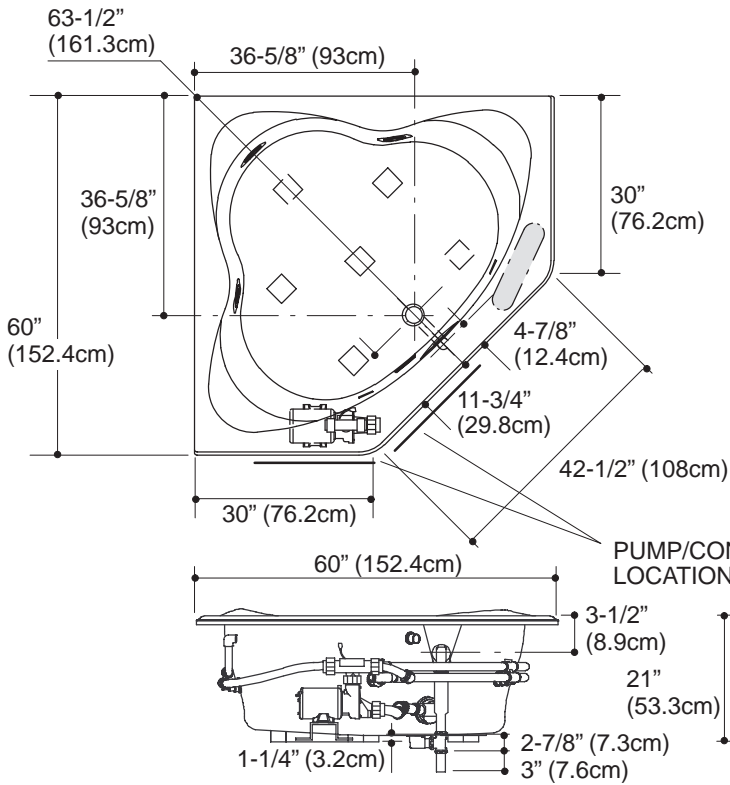
If installing a rim-mount faucet, make sure there is no interference with drain overflow and circulating system before drilling any holes. Consult local and national codes for minimum air gap requirements if installing a spout on the faucet deck.

The apron must be installed before the finish floor and wall materials are installed.

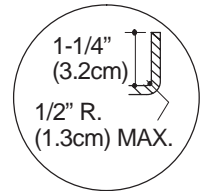
No change in measurements if connected with drain illustrated. (K-7161-AF or K-7161M-AF)

Minimum access panel:

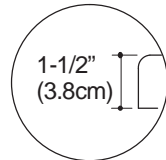
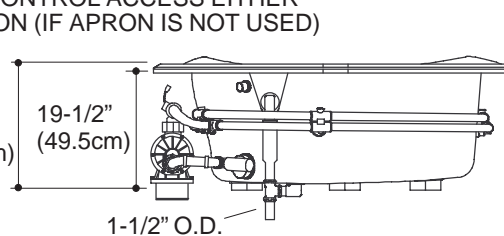
Pump/control	20" (50.8cm) W x 15" (38.1cm) H	required
Faucet area		recommended



**DROP-IN RIM STYLE CUT-OUT DETAIL**



**INTEGRAL FLANGE DETAIL**



**DROP-IN RIM DETAIL**

## PRODUCT DIAGRAM