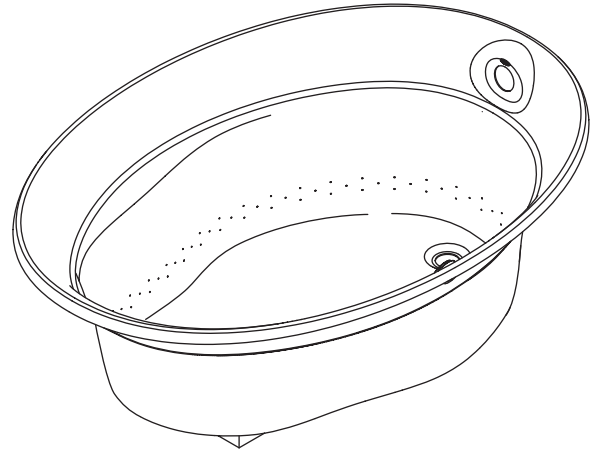


SERIF™ 5' BUBBLEMASSAGE™

OVAL DROP-IN BATH WITH AIRJETS K-1337-G

Features

- Acrylic
- Oval shape
- Drop-in
- UL listed
- Optional K-1491 removable pillow
- 120 BubbleMassage™ airjets
- 1 hp blower with electronic control
- Blower motor is supplied with a grounding-type plug-in cord
- Optional Model K-1601 removable footstop
- 60" (152.4 cm) x 42-1/4" (107.3 cm) x 21" (53.3 cm)



Codes/Standards Applicable

Specified model meets or exceeds the following:

- ANSI Z124.1
- IAPMO/UPC IGC 171
- Underwriter's Laboratories (UL)

Colors/Finishes

- 0: White
- Other: Refer to Price Book for additional colors/finishes

Accessories:

- CP: Polished Chrome
- PB: Polished Brass
- Other: Refer to Price Book for additional colors/finishes

Specified Model

Model	Description	Colors/Finishes		
K-1337-G	Bath with airjets	<input type="checkbox"/> 0 White	<input type="checkbox"/> Other _____	
Recommended Accessories				
K-7166-AF	Adjustable pop-up drain	<input type="checkbox"/> CP	<input type="checkbox"/> PB	<input type="checkbox"/> Other _____
Optional Accessories				
K-1491	Removable pillow	<input type="checkbox"/> 0 White	<input type="checkbox"/> Other _____	
K-1601	Removable footstop	<input type="checkbox"/> 0 White	<input type="checkbox"/> Other _____	
K-1446	Remote blower installation kit	NA		

Product Specification

The oval bath with airjets shall be 60" (152.4 cm) in length, 42-1/4" (107.3 cm) in width, and 21" (53.3 cm) in height. Bath shall be made of acrylic for drop-in installation. Bath shall have a 1 hp blower motor with 300 W heater and an electronic user control. The blower motor shall have a grounding-type plug-in cord. Bath shall have 120 airjets. Bath shall be UL listed. Bath shall have textured bottom surface. Bath shall have optional K-1491 removable pillow and K-1601 removable footstop. Bath with airjets shall be Kohler Model K-1337-G-_____.

SERIF™ 5' BUBBLEMASSAGE™

Technical Information

Fixture:*	basin area	top area	weight
Bathing well	42" (106.7 cm) x 28" (71.1 cm)	55" (139.7 cm) x 40" (101.6 cm)	87 lbs. (39.5 kg)
	water depth	capacity	
To overflow	15-1/2" (39.4 cm)	73 gal. (276.3 L)	
* Approximate measurements for comparison only.			

Blower motor:	Heater	Voltage	Frequency	Amperage
1 Hp	300 W	120 V	60 Hz	5 A

Included component:	
Cutout template	1017044-7

Required Electrical Service

Dedicated circuit required, protected with Class A Ground-Fault Circuit-Interrupter (GFCI):	
Blower motor:	120 V, 15 A, 60 Hz
Blower motor is supplied with a 24" (61 cm) grounding-type plug-in cord.	

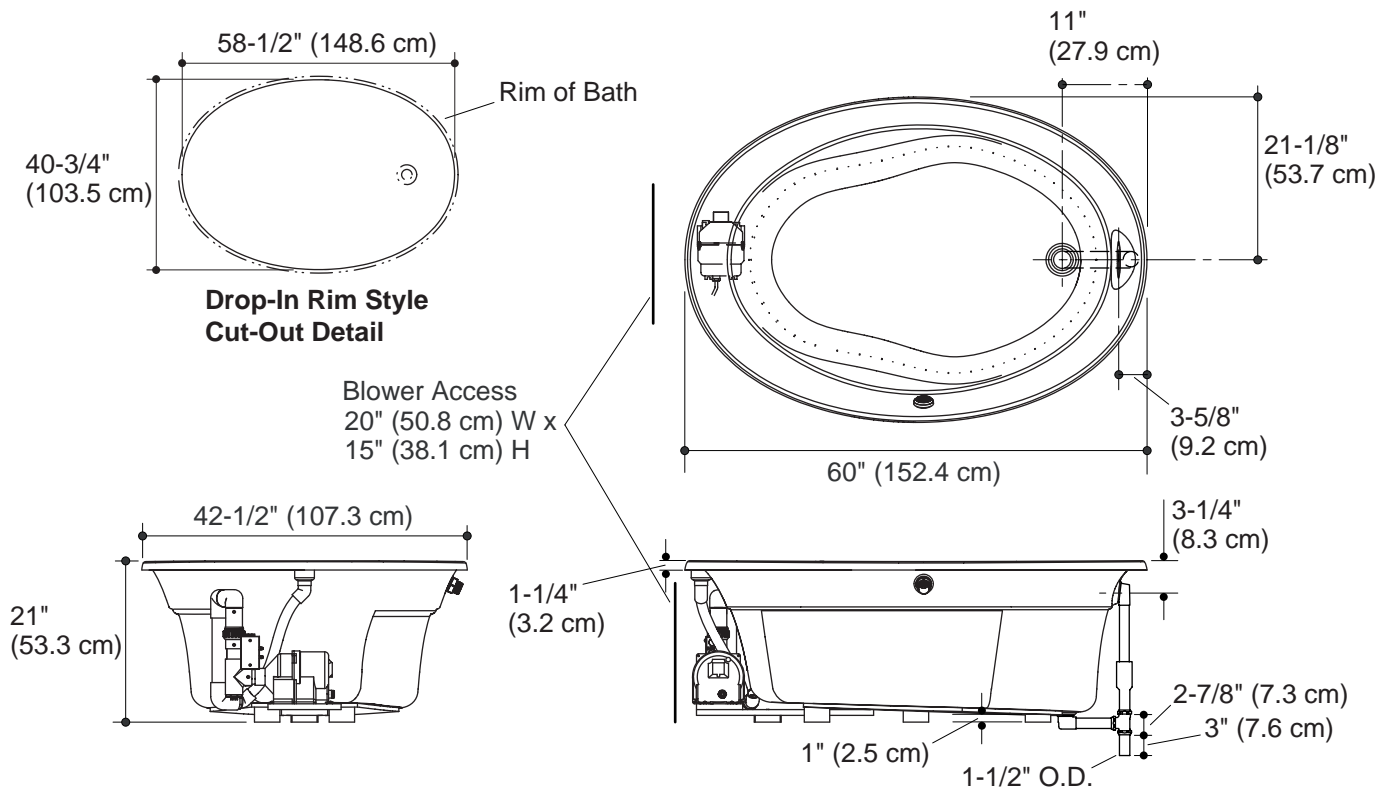
Installation Notes

Install this product according to the installation guide.

Floor support under the bath must provide for a minimum of 80 lbs/square foot (390 kg/square meter).

A blower motor access panel is required.

No change in measurements with drain shown. (K-7166-AF or K-7166M-AF)



Product Diagram

SERIF™ 5' BUBBLEMASSAGE™ OVAL DROP-IN BATH WITH AIRJETS

Page 2 of 2
1040126-4-A

THE BOLD LOOK
OF **KOHLER**®