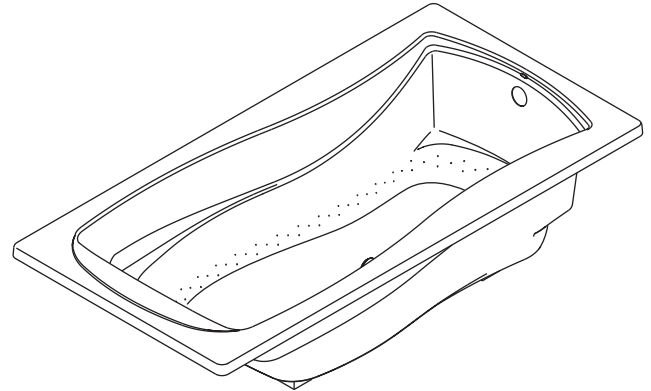


MARIPOSA™ 6' BUBBLEMASSAGE™

Features

- Acrylic
- Left or right drain
- UL listed
- Optional K-1283 front apron
- Optional K-1491 removable pillow
- Drop-in
- 120 BubbleMassage™ airjets
- 1 hp blower motor with 300 W heater, and electronic user control
- Blower motor is supplied with a grounding-type plug-in cord
- Optional Model K-1601 removable footstop
- 72" (182.9 cm) x 36" (91.4 cm) x 20" (50.8 cm)

DROP-IN BATH WITH AIRJETS
K-1257-G
ALSO K-1257-GLF, K-1257-GRF



Codes/Standards Applicable

Specified model meets or exceeds the following:

- ANSI Z124.1
- IAPMO/UPC IGC 171
- Underwriter's Laboratories (UL)

Colors/Finishes

- 0: White
- Other: Refer to Price Book for additional colors/finishes

Accessories:

- CP: Polished Chrome
- PB: Polished Brass
- Other: Refer to Price Book for additional colors/finishes

Specified Model

Model	Description	Colors/Finishes		
K-1257-G	Bath with airjets, without flange	<input type="checkbox"/> 0 White	<input type="checkbox"/> Other _____	
K-1257-GLF	Bath with airjets, with integral flange, left drain	<input type="checkbox"/> 0 White	<input type="checkbox"/> Other _____	
K-1257-GRF	Bath with airjets, with integral flange, right drain	<input type="checkbox"/> 0 White	<input type="checkbox"/> Other _____	
Recommended Accessories				
K-7161-AF	Adjustable pop-up drain	<input type="checkbox"/> CP	<input type="checkbox"/> PB	<input type="checkbox"/> Other _____
Optional Accessories				
K-1491	Removable pillow	<input type="checkbox"/> 0 White	<input type="checkbox"/> Other _____	
K-1601	Removable footstop	<input type="checkbox"/> 0 White	<input type="checkbox"/> Other _____	
K-1283	Removable apron	<input type="checkbox"/> 0 White	<input type="checkbox"/> Other _____	
K-1446	Remote blower installation kit	<input type="checkbox"/> NA		

Product Specification

The drop-in bath with airjets shall be 72" (182.9 cm) in length, 36" (91.4 cm) in width, and 20" (50.8 cm) in height. Bath shall be made of acrylic. Bath shall have a 1 hp blower motor with 300 W heater and an electronic user control. The blower motor shall have a grounding-type plug-in cord. Bath shall have 120 airjets. Bath shall be UL listed. The bath shall have a removable pillow, a removable footstop, and a removable apron as options. The bath with airjets shall be Kohler Model K-1257-G-_____.

MARIPOSA™ 6' BUBBLEMASSAGE™

Technical Information

Fixture:*	basin area	top area	weight
Bathing well	50" (127 cm) x 24" (61 cm)	65" (165.1 cm) x 27" (68.6 cm)	102 lbs (47.2 kg)
To overflow	14" (35.6 cm)	72 gal. (272.5 L)	
* Approximate measurements for comparison only.			

Blower motor:	Heater	Voltage	Frequency	Amperage
1 Hp	300 W	120 V	60 Hz	5 A

Included component:	
Drop-in cut-out	70" (177.8 cm) x 34" (86.4 cm)

Required Electrical Service

Dedicated circuit required, protected with Class A Ground-Fault Circuit-Interrupter (GFCI):	
Blower motor:	120 V, 15 A, 60 Hz
Blower motor is supplied with a 24" (61 cm) grounding-type plug-in cord.	

Installation Notes

Install this product according to the installation guide.

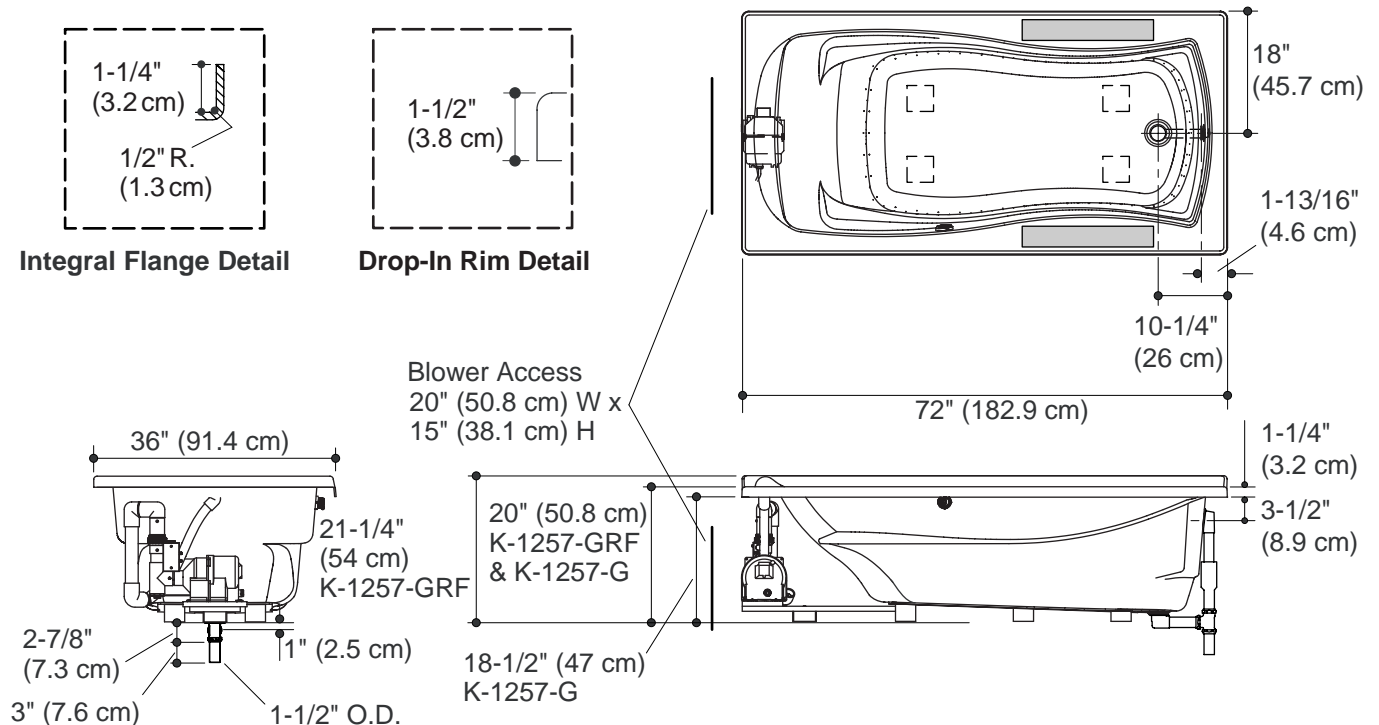
Floor support under the bath must provide for a minimum of 80 lbs/square foot (390 kg/square meter).

A blower motor access panel is required.

If used, the optional apron must be installed before the finished floor and wall materials are installed.

If installing a rim-mount faucet, make sure there is no interference with drain overflow and circulating system before drilling any holes. Consult local and national codes for minimum air gap requirements if installing a spout on the faucet deck.

No change in measurements with drain shown. (K-7166-AF or K-7166M-AF)



Product Diagram

MARIPOSA™ 6' BUBBLEMASSAGE™ DROP-IN BATH WITH AIRJETS

Page 2 of 2
1040121-4-A

THE BOLD LOOK
OF **KOHLER**™