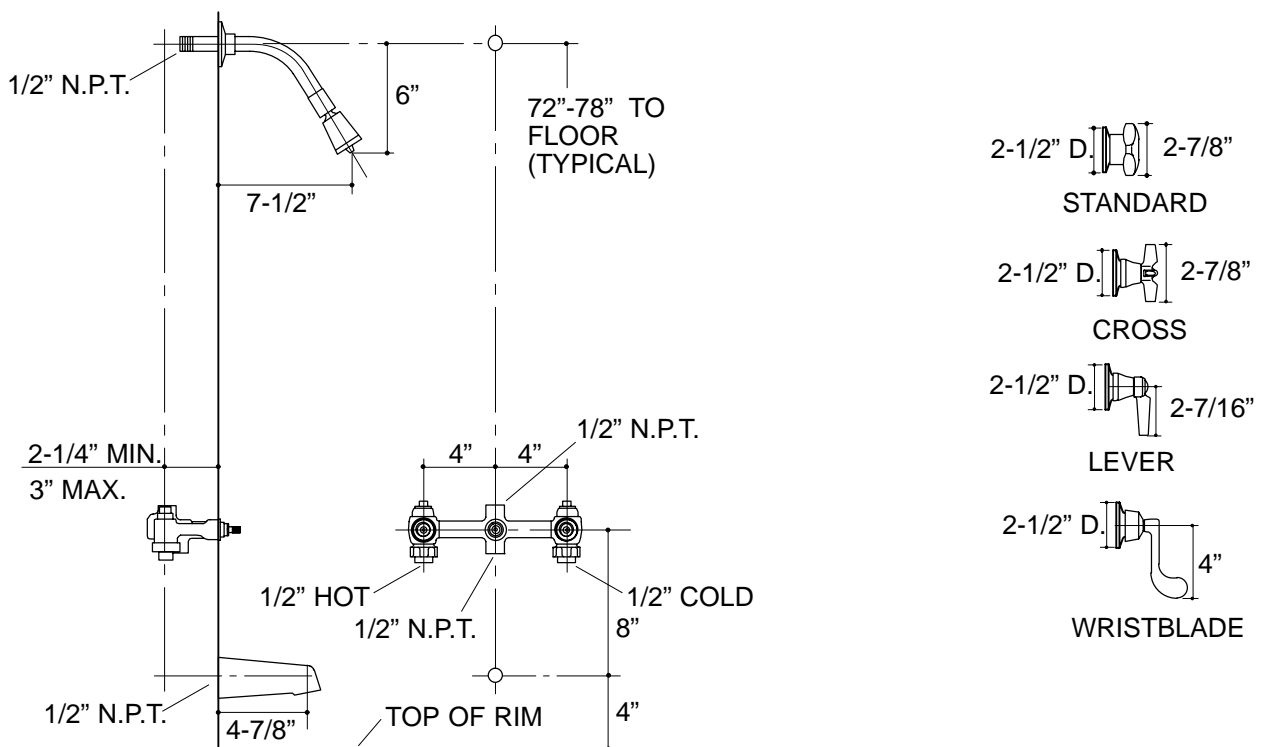


### Ordering Information

Applicable bath and shower faucet trim only:	
Standard handles*	K-T7014-2A
Cross handles*	K-T7014-3A
Lever handles*	K-T7014-4A
Wristblade lever handles*	K-T7014-5A
Applicable valve trim only:	
Standard handles*	K-T7751-2
Cross handles*	K-T7751-3
Lever handles*	K-T7751-4
Wristblade lever handles*	K-T7751-5
*Valve K-303-K must be ordered to complete faucet.	

Applicable valve system only:		
1/2" valve system	K-303-K-NA	required**
<b>ADA</b> Lever and cross handles are ADA compliant		
**Required for configuration illustrated.		



332

K-T7014, K-T7751, K-303-K Triton™ Bath and Shower Faucet  
115050-1-BA (-)

**KOHLER®**

NOTES: