

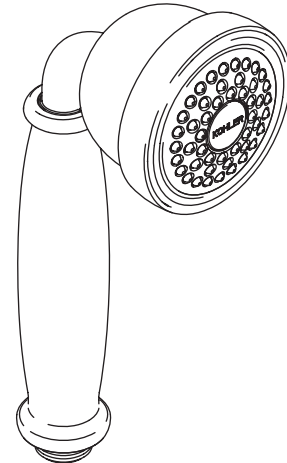
**Features**

- 2.5 gpm (9.5 lpm)
- Single function
- On/off control with a non-positive shut-off
- Complements Lyntier™ faucet line

**Codes/Standards Applicable**

Specified model meets or exceeds the following:

- ASME A112.18.1/CSA B125.1
- IAPMO/cUPC
- ADA



**Colors/Finishes**

- CP: Polished Chrome
- Other: Refer to Price Book for additional colors/finishes

**Accessories:**

- CP: Polished Chrome

**Specified Model**

Model	Description	Colors/Finishes	
K-10343	Handshower	<input type="checkbox"/> CP	<input type="checkbox"/> Other ____
<b>Required Accessories</b>		U	
K-9514	60" (152.4 cm) metal shower hose	<input type="checkbox"/> CP	

**Product Specification**

Handshower shall feature single function spray. Handshower shall have a 2.5 gallon (9.5 L) per minute flow rate and on/off control with a non-positive shut-off. Handshower shall complement the Lyntier™ faucet line. Product shall be Kohler Model K-10343-\_\_\_\_.

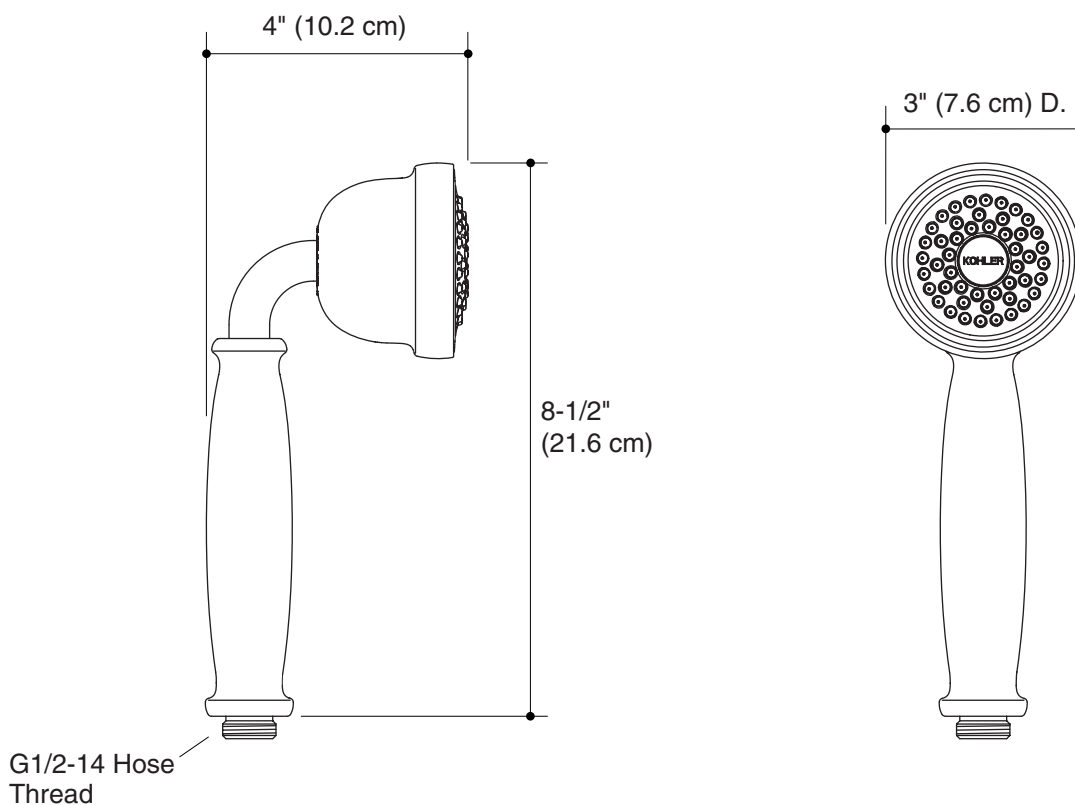
# LYNTIER™

## Installation Notes

Install this product according to the installation guide.

Plumbing codes require an atmospheric vacuum breaker (such as Kohler Model K-9660) be installed in-line with handshowers. Please consult with local plumbing officials.

If the handshower is mounted on a vertical bar, the vertical bar shall be installed so as not to obstruct the use of grab bars per ADA Accessibility Guidelines.



## Product Diagram