

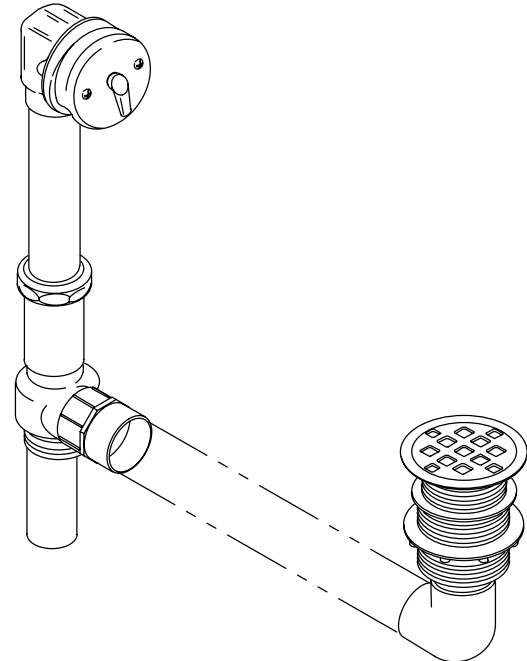
FEATURES

- Brass and PVC construction
- For through-the-floor-installation
- Intended for BodySpa Custom installations
- Removable grid plate
- Brass tailpiece
- 1-1/2" connection

CODES/STANDARDS APPLICABLE

Specified model meets or exceeds the following:

- ASME/ANSI A112.18.1M



COLORS/FINISHES

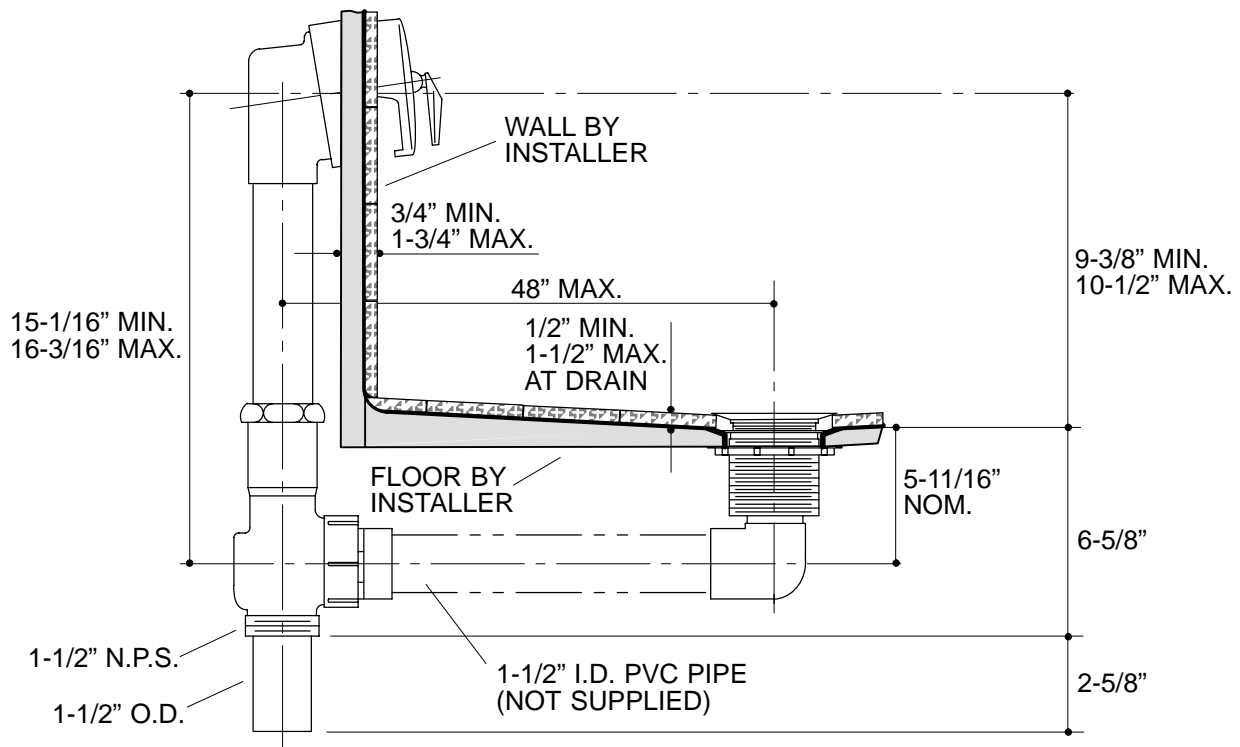
- CP Polished Chrome
- PB Polished Brass

SPECIFIED MODEL:

Model	Description		
K-7179	BodySpa Custom Drain	<input type="checkbox"/> CP	<input type="checkbox"/> PB

PRODUCT SPECIFICATION:
 Drain shall be of brass and PVC construction and for through-the-floor installation. Product is intended for BodySpa Custom installations. Product shall feature a removable grid plate, brass tailpiece, and 1-1/2" connection. Drain shall be Kohler Model K-7179-_____.

BODYSPA



316

PRODUCT DIAGRAM