

3-WAY TRANSFER VALVE TRIM
K-T9518
ALSO K-407

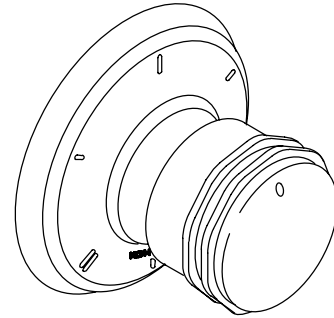
FEATURES

- Brass construction
- Wall-mount
- Available with lever or round handle

CODES/STANDARDS APPLICABLE

Specified model meets or exceeds the following:

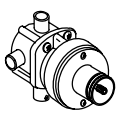
- ASME/ANSI A112.18.1M
- CSA International B125 (CSA listed)
- IAPMO/UPC listed



COLORS/FINISHES

- CP Polished Chrome
- PB Polished Brass
- Other Refer to Faucets Price Book for additional finishes

SPECIFIED MODEL: For complete faucet, both faucet trim and transfer valve must be specified.

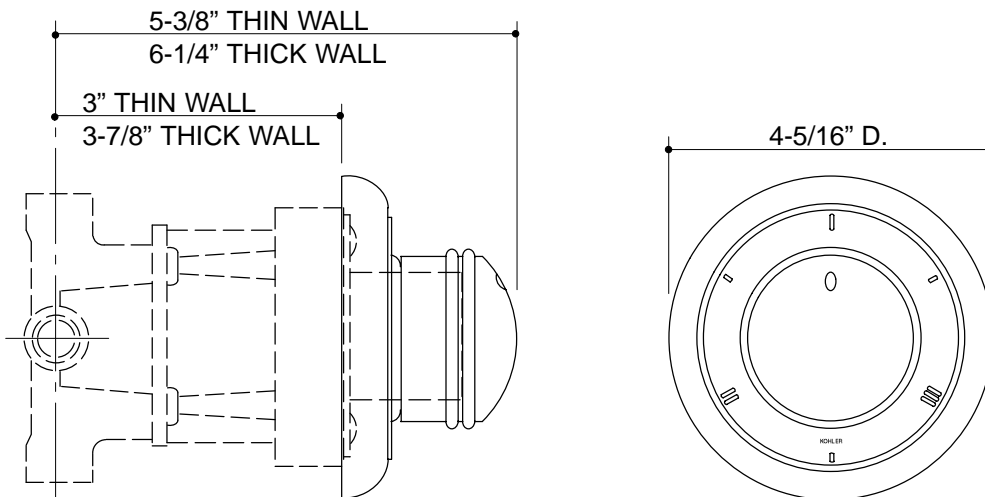
Model	Description	<input type="checkbox"/> CP	<input type="checkbox"/> PB	<input type="checkbox"/> Other_____
K-T9518	3-Way Transfer Valve Trim, Round Handle			
Required Accessory				
K-407	3-Way Transfer Valve			<input type="checkbox"/> NA

PRODUCT SPECIFICATION:

Three-way transfer valve trim shall be of brass construction. Trim shall include faceplate and be available with round handle. Faucet trim shall be Kohler Model K-T9518-_____ and transfer valve shall be K-407-NA.

Roughing-In Notes

For proper handle fit, finished wall must align within depth (front to back) of installed plaster guard. Roughing-in depth min. = 3", max. = 3-7/8".



PRODUCT DIAGRAM