

3-WAY TRANSFER VALVE TRIM
K-T9474
ALSO K-405-K

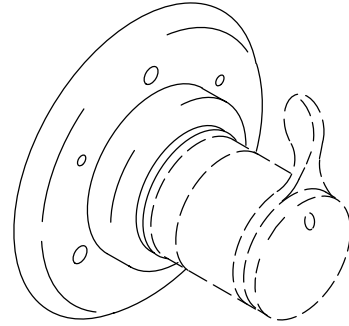
FEATURES

- Brass construction
- Wall-mount
- Available with lever or round handle

CODES/STANDARDS APPLICABLE

Specified model meets or exceeds the following:


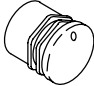
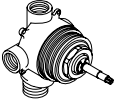
- ASME/ANSI A112.18.1M
- CSA International B125 (CSA listed)
- IAPMO/UPC listed



COLORS/FINISHES

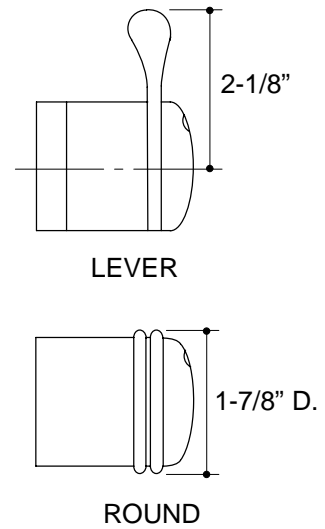
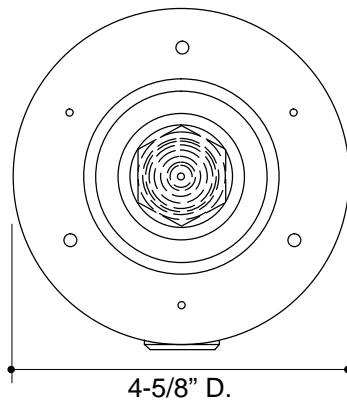
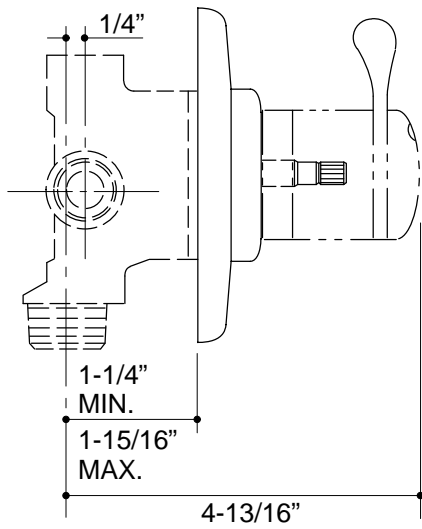
- CP Polished Chrome
- PB Polished Brass
- Other Refer to Faucets Price Book for additional finishes

SPECIFIED MODEL: For complete faucet, both faucet trim and transfer valve must be specified.

| Model | Description |  <input type="checkbox"/> ADA | | |  | | |
|---------------------------|---|---|-----------------------------|-------------------------------------|---|-----------------------------|---|
| | | <input type="checkbox"/> CP | <input type="checkbox"/> PB | <input type="checkbox"/> Other_____ | <input type="checkbox"/> CP | <input type="checkbox"/> PB | <input type="checkbox"/> Other_____ |
| K-T9474-4 | 3-Way Transfer Valve Trim, Lever Handle | <input type="checkbox"/> CP | <input type="checkbox"/> PB | <input type="checkbox"/> Other_____ | | | |
| K-T9474-7 | 3-Way Transfer Valve Trim, Round Handle | | | | <input type="checkbox"/> CP | <input type="checkbox"/> PB | <input type="checkbox"/> Other_____ |
| Required Accessory | | | | | | |  |
| K-405-K | 3-Way Transfer Valve | | | | | | <input type="checkbox"/> NA |

PRODUCT SPECIFICATION:

Three-way transfer valve trim shall be of brass construction. Trim shall include faceplate and be available with lever or round handle. Faucet trim shall be Kohler Model K-T9474-_____-_____ and transfer valve shall be K-405-K-NA.



PRODUCT DIAGRAM