

VOLUME CONTROL VALVE TRIM
K-T9472
ALSO K-403-K

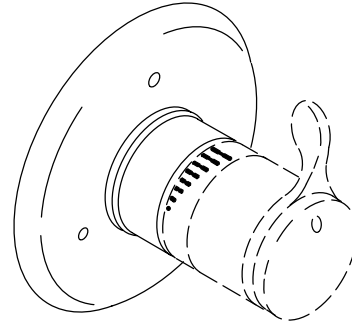
FEATURES

- Brass construction
- Wall-mount
- Available with lever or round handle

CODES/STANDARDS APPLICABLE

Specified model meets or exceeds the following:


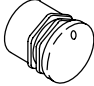

- ASME/ANSI A112.18.1M
- CSA International B125 (CSA listed)
- IAPMO/UPC listed



COLORS/FINISHES

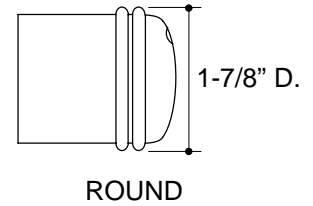
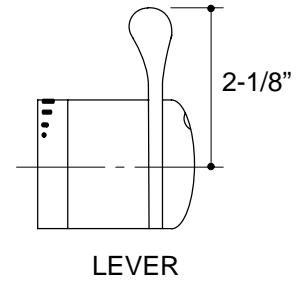
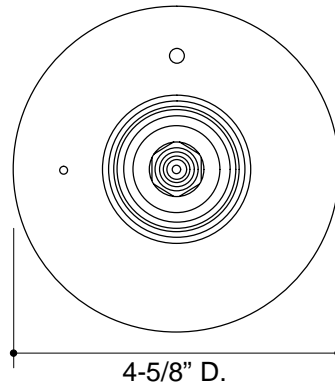
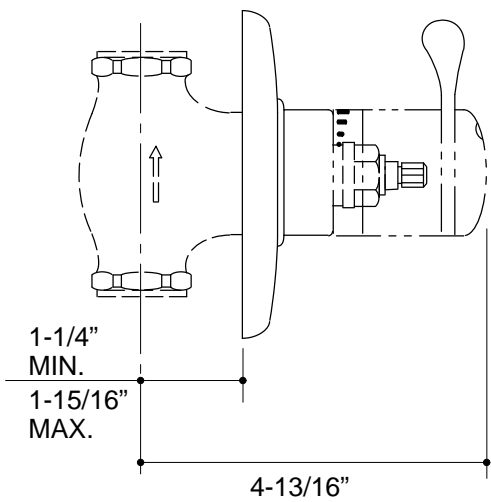
- CP Polished Chrome
- PB Polished Brass
- Other Refer to Faucets Price Book for additional finishes

SPECIFIED MODEL: For complete faucet, both faucet trim and volume control valve must be specified.

| Model | Description |  <input type="checkbox"/> ADA | | |  | | |
|---------------------------|-----------------------------------|---|-----------------------------|-------------------------------------|---|-----------------------------|---|
| K-T9472-4 | Volume Control Trim, Lever Handle | <input type="checkbox"/> CP | <input type="checkbox"/> PB | <input type="checkbox"/> Other_____ | | | |
| K-T9472-7 | Volume Control Trim, Round Handle | | | | <input type="checkbox"/> CP | <input type="checkbox"/> PB | <input type="checkbox"/> Other_____ |
| Required Accessory | | | | | | |  |
| K-403-K | 3/4" Volume Control Valve | | | | | | <input type="checkbox"/> NA |

PRODUCT SPECIFICATION:

Volume control valve trim shall be of brass construction. Trim shall include faceplate and be available with lever or round handle. Faucet trim shall be Kohler Model K-T9472_____ - _____ and volume control valve shall be K-403-K-NA.



PRODUCT DIAGRAM