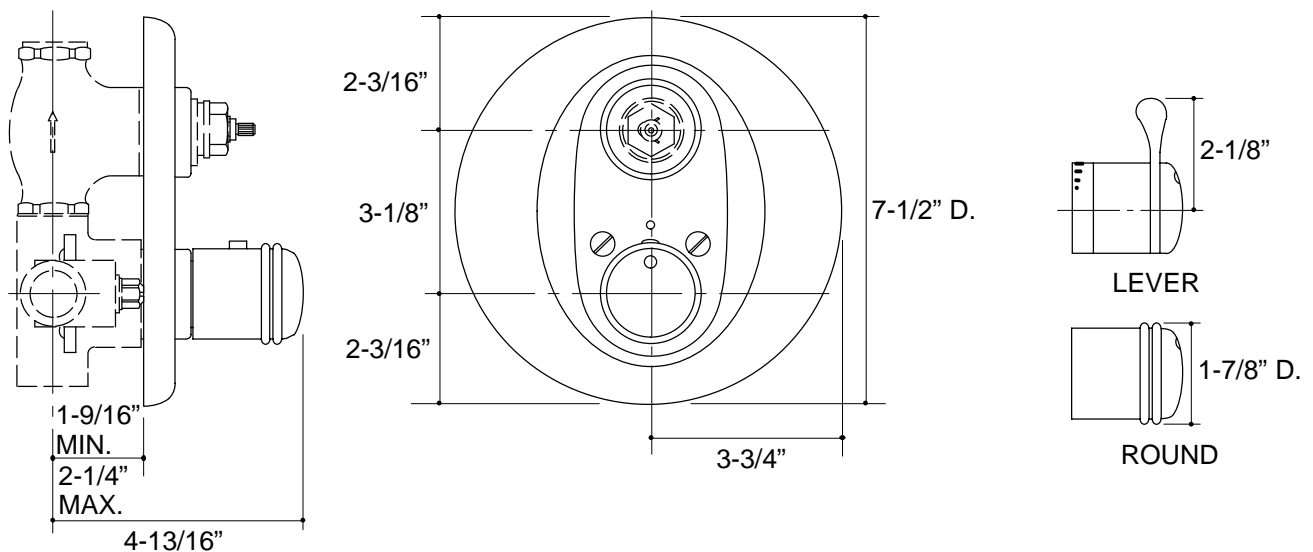


Ordering Information

Applicable valve trim:		
With lever handle*	K-T9493-4	
With round handle*	K-T9493-7	
*3/4" thermostatic mixer must be ordered to complete faucet		
Applicable thermostatic mixer:		
3/4" thermostatic mixer with volume control	K-401-K	shown**
**Required for configuration illustrated.		
ADA Lever handle is ADA compliant		



516

K-T9493, K-401-K MasterShower™ Thermostatic Mixer Valve Trim
116637-1-BA

KOHLER®

NOTES: