

**THERMOSTATIC MIXER TRIM**  
**K-T9493**  
**ALSO K-401-K**

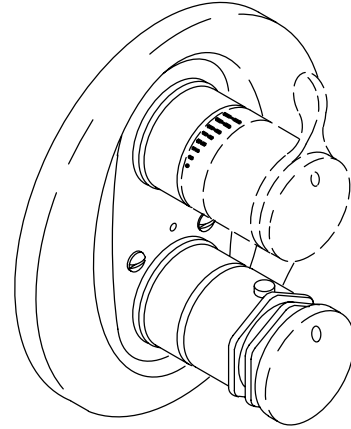
**FEATURES**

- Brass construction
- Wall-mount
- Available with lever or round handle

**CODES/STANDARDS APPLICABLE**

Specified model meets or exceeds the following:


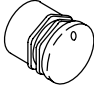

- ASME/ANSI A112.18.1M
- CSA International B125 (CSA listed)
- ANSI/ASSE 1016
- IAPMO/UPC listed



**COLORS/FINISHES**

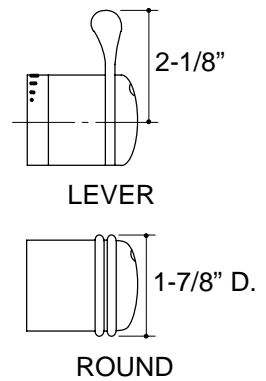
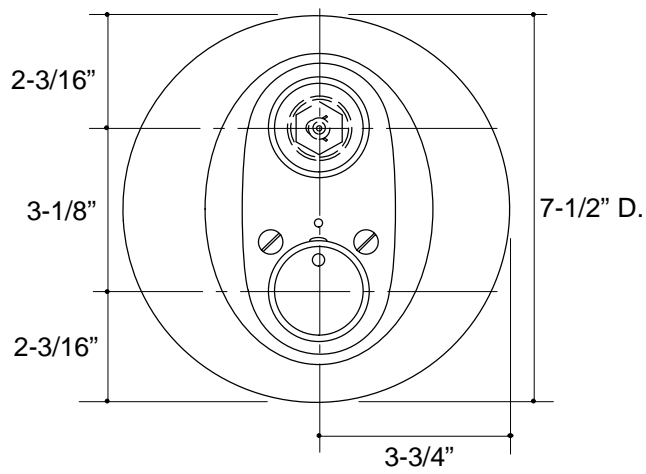
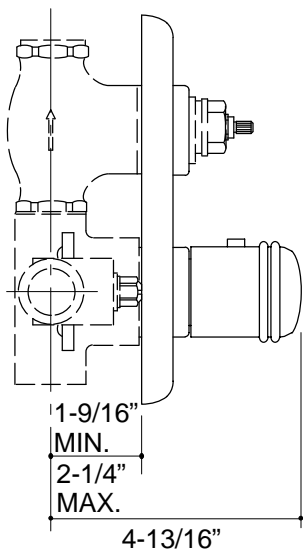
- CP Polished Chrome
- PB Polished Brass
- Other Refer to Faucets Price Book for additional finishes

**SPECIFIED MODEL:** For complete faucet, both faucet trim and thermostatic mixer valve must be specified.

Model	Description	 <input type="checkbox"/> ADA						
		<input type="checkbox"/> CP	<input type="checkbox"/> PB	<input type="checkbox"/> Other_____	<input type="checkbox"/> CP	<input type="checkbox"/> PB	<input type="checkbox"/> Other_____	
K-T9493-4	Thermostatic Mixer Trim, Lever Handle	<input type="checkbox"/> CP	<input type="checkbox"/> PB	<input type="checkbox"/> Other_____				
K-T9493-7	Thermostatic Mixer Trim, Round Handle				<input type="checkbox"/> CP	<input type="checkbox"/> PB	<input type="checkbox"/> Other_____	
<b>Required Accessory</b>								
K-401-K	3/4" Thermostatic Mixer with Volume Control							<input type="checkbox"/> NA

**PRODUCT SPECIFICATION:**

Two-handle wall-mount thermostatic mixer trim shall be of brass construction. Trim shall include faceplate and be available with lever or round handle. Faucet trim shall be Kohler Model K-T9493-\_\_\_\_\_-\_\_\_\_\_- and thermostatic mixer shall be K-401-K-NA.



## PRODUCT DIAGRAM