

**THERMOSTATIC MIXER TRIM
K-T9494-7**

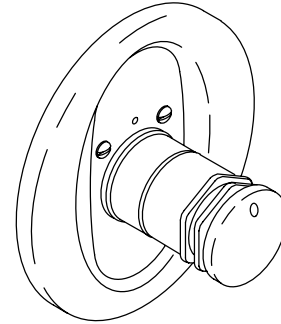
FEATURES

- Wall-mount
- Brass construction

CODES/STANDARDS APPLICABLE

Specified model meets or exceeds the following:

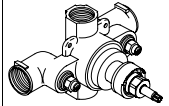
- ASME/ANSI A112.18.1M
- CSA B125



COLORS/FINISHES

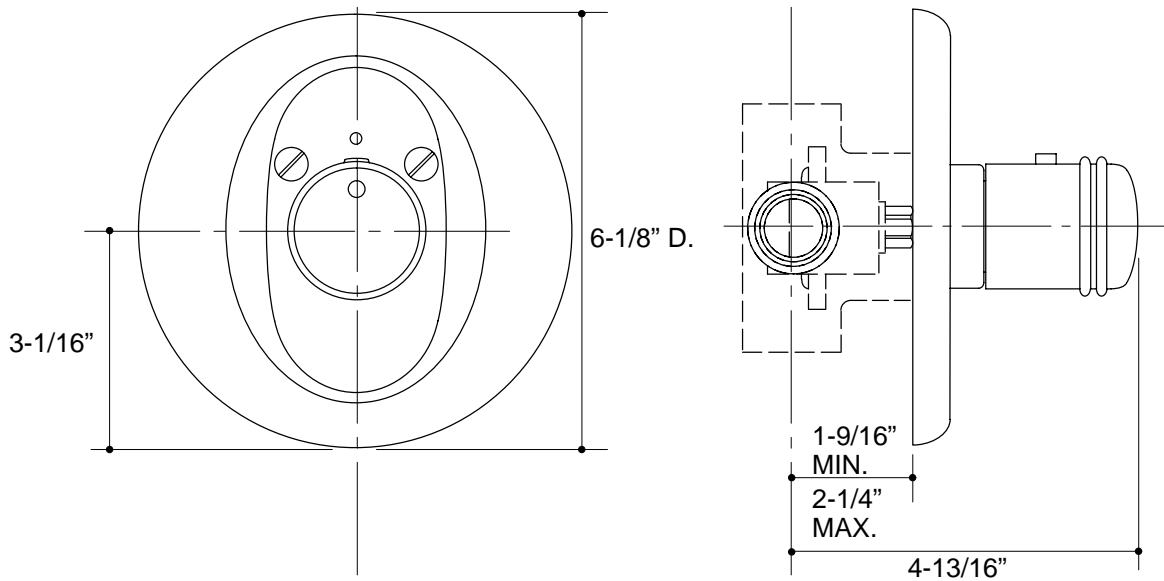
- CP Polished Chrome
- PB Polished Brass
- Other Refer to Faucets Price Book for additional finishes

SPECIFIED MODEL: For complete faucet, both faucet trim and thermostatic mixer valve must be specified.

Model	Description			
K-T9494-7	Thermostatic Mixer Trim	<input type="checkbox"/> CP	<input type="checkbox"/> PB	<input type="checkbox"/> Other_____
Required Accessory				
K-400-K	3/4" Thermostatic Mixer	<input type="checkbox"/> NA		

PRODUCT SPECIFICATION:

Single-handle wall-mount thermostatic mixer trim shall be of brass construction. Trim shall include faceplate with handle. Faucet trim shall be Kohler Model K-T9493-7-_____ and thermostatic mixer shall be K-400-K-NA.



PRODUCT DIAGRAM