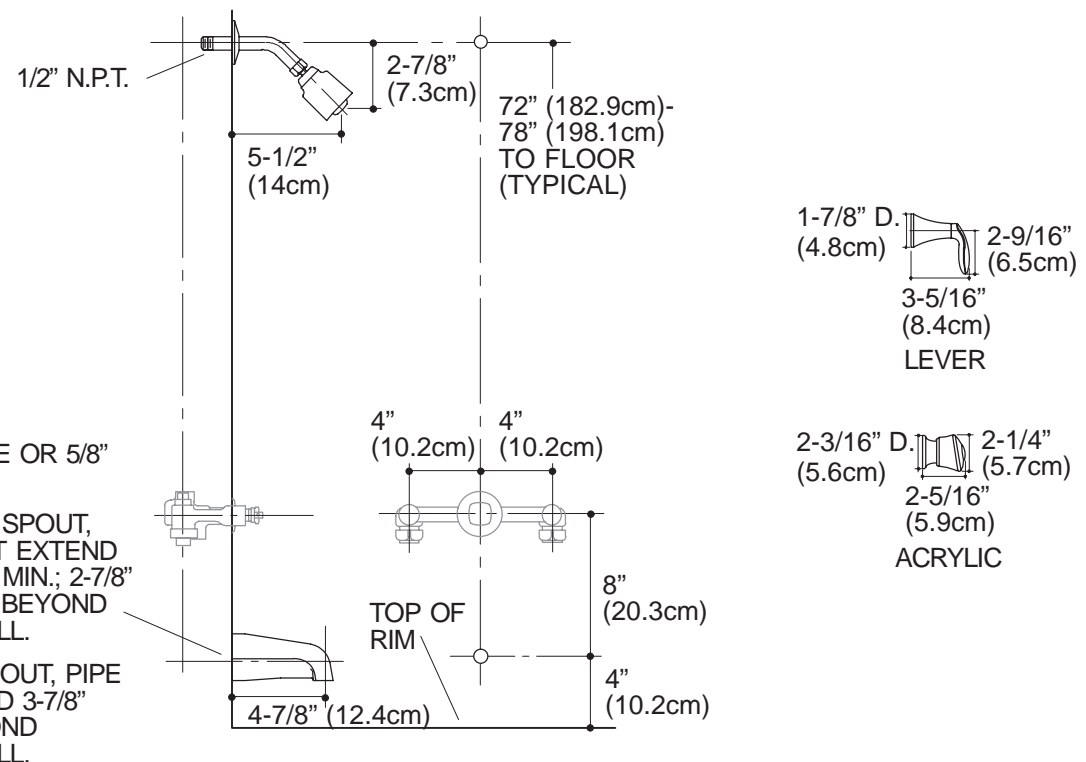


Ordering Information

Mexico faucets and fittings have an M after the first sequence of numbers (such as K-12345 M)	
Applicable bath and shower faucet trim:	
Lever handle with N.P.T. non-diverter spout*	K-T15231-4
Lever handle with slip-fit non-diverter spout*	K-T15231-4S
Acrylic handle with N.P.T. non-diverter spout*	K-T15231-7
Acrylic handle with slip-fit non-diverter spout*	K-T15231-7S
*Valve K-303-K must be ordered to complete faucet.	

Applicable valve system only:		
1/2" valve system	K-303-K-NA	required**
ADA Lever handles are ADA compliant		
**Required for configuration illustrated.		



332