

Ordering Information

Mexico faucets and fittings have an M after the first sequence of numbers (such as K-12345 M)	
Project pack models, where applicable, are denoted by a P , (such as K- P 12345)	
Applicable bath and shower faucet trim only:	
With N.P.T. spout*	K-T15601-7
With slip-fit spout*	K-T15601-7S
*Valve must be ordered to complete faucet.	

Applicable valve:		
Rite-Temp valve without stops	K-304-K	not shown**
Rite-Temp valve with stops	K-304-KS	not shown**
HiFlow Rite-Temp valve with integral stops	K-306-KS	not shown**
Non-pressure valve without stops	K-308-K	not shown**
Non-pressure valve with stops	K-308-KS	not shown**

Ordering Information

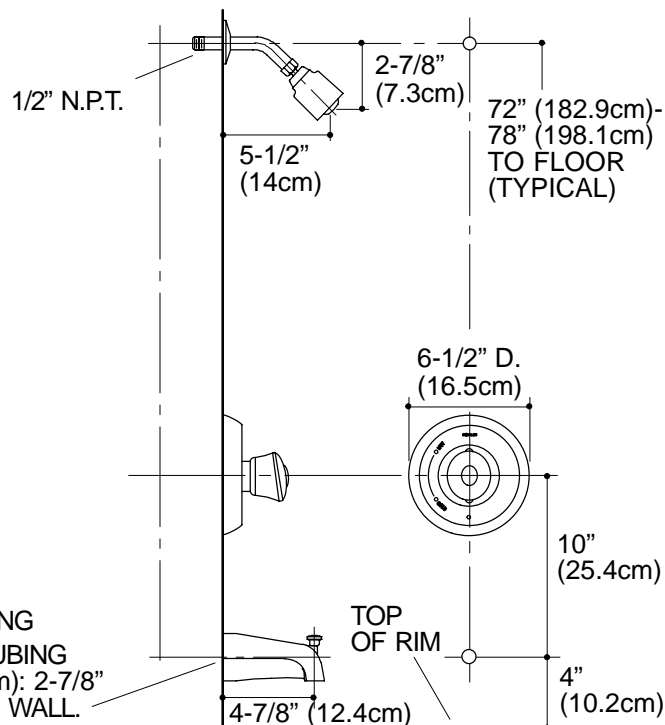
HiFlow Rite-Temp thin wall installation kit	88526	not shown
**Required for configuration illustrated.		

Installation Notes

Avoid cross-flow conditions. Do not install shut-off device on either valve outlet.

Cap shower outlet if deck-mount spout, diverter, or handshower is connected to spout outlet.

Install straight pipe or tube drop of 7" (17.8cm) to 18" (45.7cm) with single elbow between valve and wall-mount spout.



1/2" N.P.T. PIPE OR 5/8" O.D. TUBING FOR SLIP-FIT SPOUT, 5/8" O.D. TUBING MUST EXTEND 1-1/2" MIN. (3.8cm): 2-7/8" MAX. (7.3cm) BEYOND FINISHED WALL. FOR N.P.T. SPOUT, PIPE MUST EXTEND 3-7/8" (9.8cm) BEYOND FINISHED WALL.

332

K-T15601, K-304, K-306-KS, K-308 Coralais™ Bath and Shower Faucet Trim
1006260-1-A

KOHLER®

NOTES: