

### Features

- Brass construction
- Lever handle
- Intended for use with Rite-Temp® or HiFlow Rite-Temp® valves

### BATH AND SHOWER FAUCET TRIM

## K-T14640-4

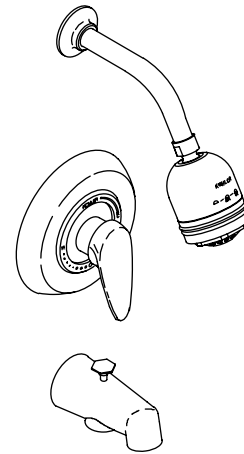
ALSO K-T14641-4, K-T14642-4

ADA

### Codes/Standards Applicable

Specified model meets or exceeds the following:

- ASME A112.18.1/CSA B125.1
- CSA International
- IAPMO/UPC
- ADA



### Colors/Finishes

- CP: Polished Chrome
- 0: White

### Accessories

- CP: Polished Chrome
- Other: Refer to Price Book for additional colors/finishes
- NA: None applicable

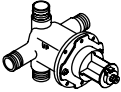
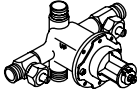
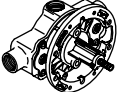
### Specified Model

For complete faucet, both faucet trim and Rite-Temp valve must be specified.			
Model	Description	Colors/Finishes	
K-T14640-4	Bath and shower faucet trim	<input type="checkbox"/> CP	<input type="checkbox"/> 0
K-T14641-4	Shower only faucet trim	<input type="checkbox"/> CP	<input type="checkbox"/> 0
K-T14642-4	Valve only faucet trim	<input type="checkbox"/> CP	<input type="checkbox"/> 0

### Product Specification

Rite-Temp® pressure-balancing single-control bath and shower faucet trim shall be of brass construction. Bath and shower trim shall include 3-way showerhead with arm and flange, 4-7/8" (12.4 cm) diverter spout with NPS connection, and faceplate with handle. Shower only trim shall include 3-way showerhead with arm and flange, and faceplate with handle. Valve only trim shall include faceplate with handle. Faucet trim shall be K-T\_\_\_\_\_-4-\_\_\_\_ and Rite-Temp® valve shall be K-304-\_\_\_\_-NA OR K-306-KS-NA HiFlow Rite-Temp® valve.

# CABRIOLE®

Required Accessories				
K-304-K	Rite-Temp® valve without stops <b>OR</b>	<input type="checkbox"/> NA		
K-304-KS	Rite-Temp® valve with stops <b>OR</b>		<input type="checkbox"/> NA	
K-306-KS	Hi Flow Rite-Temp® valve with integral stops			<input type="checkbox"/> NA

Recommended Accessories			
88526	Hi Flow Rite-Temp® thin wall installation kit	<input type="checkbox"/> CP	<input type="checkbox"/> Other_____

Optional Accessories			
79639	Deep roughing-in kit for Rite-Temp® valve (lever handles)	<input type="checkbox"/> CP	<input type="checkbox"/> Other_____

## Installation Notes



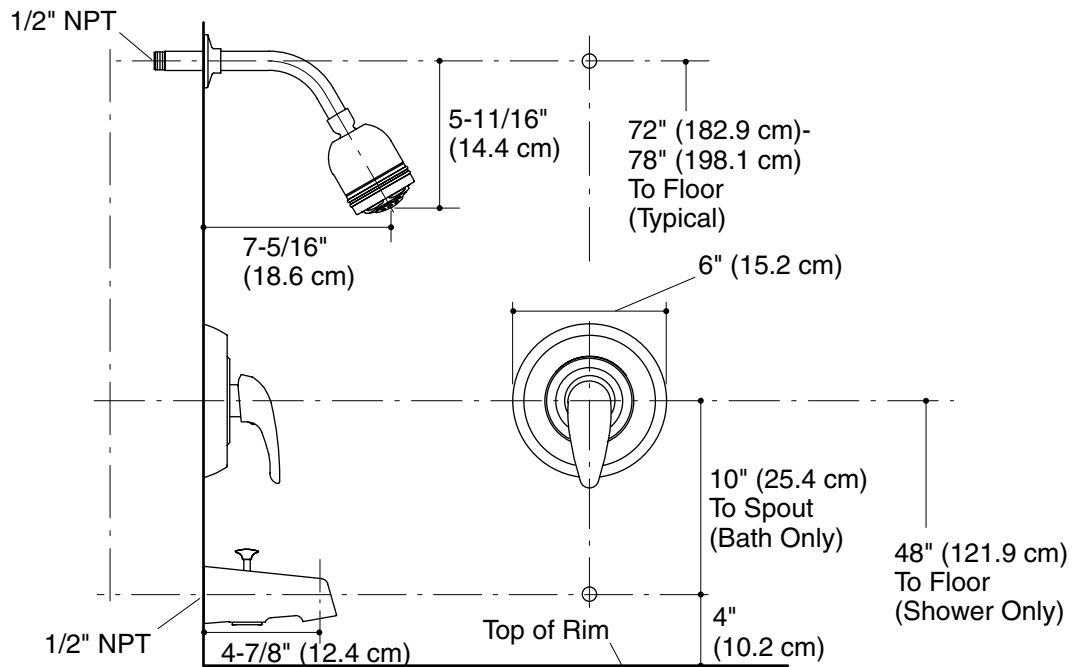
**WARNING: Risk of damage to the K-306-KS valve assembly.** When using the K-306-KS valve in a fiberglass or acrylic installation, use the thin wall installation kit (88526).

Install this product according to the installation guide.

Avoid cross-flow conditions. Do not install shut-off device on either valve outlet.

Cap shower outlet if deck-mount spout, diverter, or handshower is connected to spout outlet.

Install straight pipe or tube drop of 7" (17.8 cm) to 18" (45.7 cm) with single elbow between valve and wall-mount spout.



## Product Diagram