

### Ordering Information

Applicable faucet trim only:		
Bath and Shower Cross handle*	K-T6808-3D	
Bath and Shower Lever handle*	K-T6808-4D	
Shower Cross handle*	K-T6809-3D	
Shower Lever handle*	K-T6809-4D	
Valve Cross handle*	K-T6810-3D	
Valve Lever handle*	K-T6810-4D	
*Rite-Temp valve must be ordered to complete faucet.		
Accessories/hardware:		
Showerhead/arm/flange	K-6812	
Ceramic dial plate	K-146	
Applicable Rite-Temp valve:		
Rite-Temp valve without stops	K-304-K	not shown**
Rite-Temp valve with stops	K-304-KS	not shown**
Hi Flow Rite-Temp valve with integral stops	K-306-KS	not shown**

Hi Flow Rite-Temp thin wall installation kit	88526	not shown
**Required for configuration illustrated.		
<b>ADA</b> Lever and cross handle is ADA compliant		

### Product Information



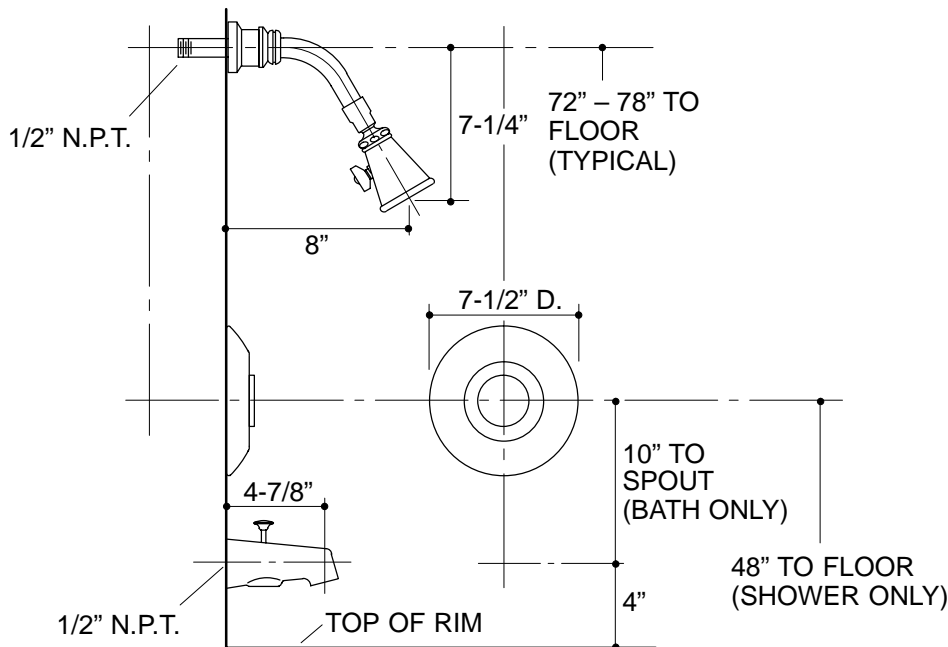
**WARNING: Risk of damage to the K-306-KS valve assembly.** When using the K-306-KS valve in a fiberglass or acrylic installation, use the thin wall installation kit (88526).

### Installation Notes

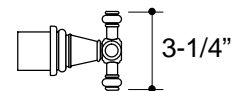
Avoid cross-flow conditions. Do not install shut-off device on either valve outlet.

Cap shower outlet if deck-mount spout, diverter, or handshower is connected to spout outlet.

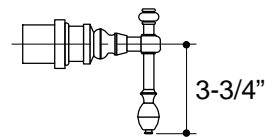
Install straight pipe or tube drop of 7 to 18" with single elbow between valve and wall-mount spout.



18



CROSS



LEVER