

**BELLHAVEN™ RITE-TEMP®**

**BATH AND SHOWER VALVE TRIM**

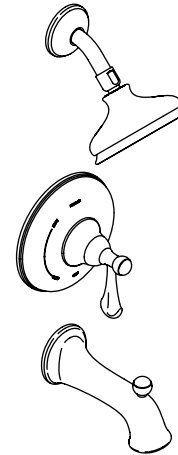
**K-T11552**

**ALSO K-T11553**

ADA

**Features**

- Metal construction
- Brass valve bodies
- High-temperature limit setting for added safety
- Rite-Temp® pressure-balancing diaphragm design valve
- Mixing valve cycles from "cold" to "hot"
- Intended for use with Rite-Temp™ or HiFlow Rite-Temp™ valves
- Pressure-balancing mechanism of one-piece diaphragm cartridge design for ease of maintenance
- ADA compliant lever handle



**Codes/Standards Applicable**

Specified model meets or exceeds the following:

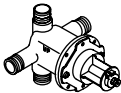
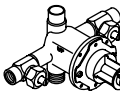
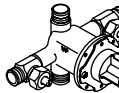
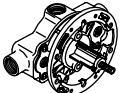
- ASME A112.18.1/CSA B125.1
- IAPMO/UPC
- ADA
- CSA International

**Colors/Finishes**

- CP: Polished Chrome
- Other: Refer to Price Book for additional colors/finishes

**Specified Model**

Model	Description	Colors/Finishes	
K-T11552-4	Bath and shower valve trim – with 1/2" IPS threaded diverter spout	<input type="checkbox"/> CP	<input type="checkbox"/> Other _____
K-T11552-4S	Bath and shower valve trim – with slip-fit diverter spout	<input type="checkbox"/> CP	<input type="checkbox"/> Other _____
K-T11553-4	Shower valve trim – less diverter spout	<input type="checkbox"/> CP	<input type="checkbox"/> Other _____

Required Accessories*					
K-304-K	Rite-Temp valve without stops – NPT connections	<input type="checkbox"/> NA			
K-304-KP	Rite-Temp valve with stops – CPVC connections		<input type="checkbox"/> NA		
K-304-KS	Rite-Temp valve with stops – NPT connections			<input type="checkbox"/> NA	
K-306-KS	HiFlow Rite-Temp valve with stops – NPT connections				<input type="checkbox"/> NA

\*One valve is required.

**Product Specification**

The bath and shower valve trim shall be made of metal construction with brass valve bodies. Product shall have a Rite-Temp pressure-balancing diaphragm design valve and pressure-balancing mechanism of one-piece diaphragm cartridge design for ease of maintenance. Valve trim shall feature mixing valve cycles from "cold" to "hot," as well as a high-temperature limit stop for added safety. Valve trim shall feature a single ADA compliant lever handle. Valve trim is intended for use with Rite-Temp or HiFlow Rite-Temp valves. Valve trim shall be Kohler Model K-\_\_\_\_\_-\_\_\_\_\_-\_\_\_\_\_ and required Rite-Temp valve shall be K-\_\_\_\_\_-\_\_\_\_\_.

# BELLHAVEN™ RITE-TEMP®

## Optional Accessories

1048737 HiFlow Rite-Temp thick wall installation kit

NA

## Installation Notes

Install the valve trim according to the installation guide.



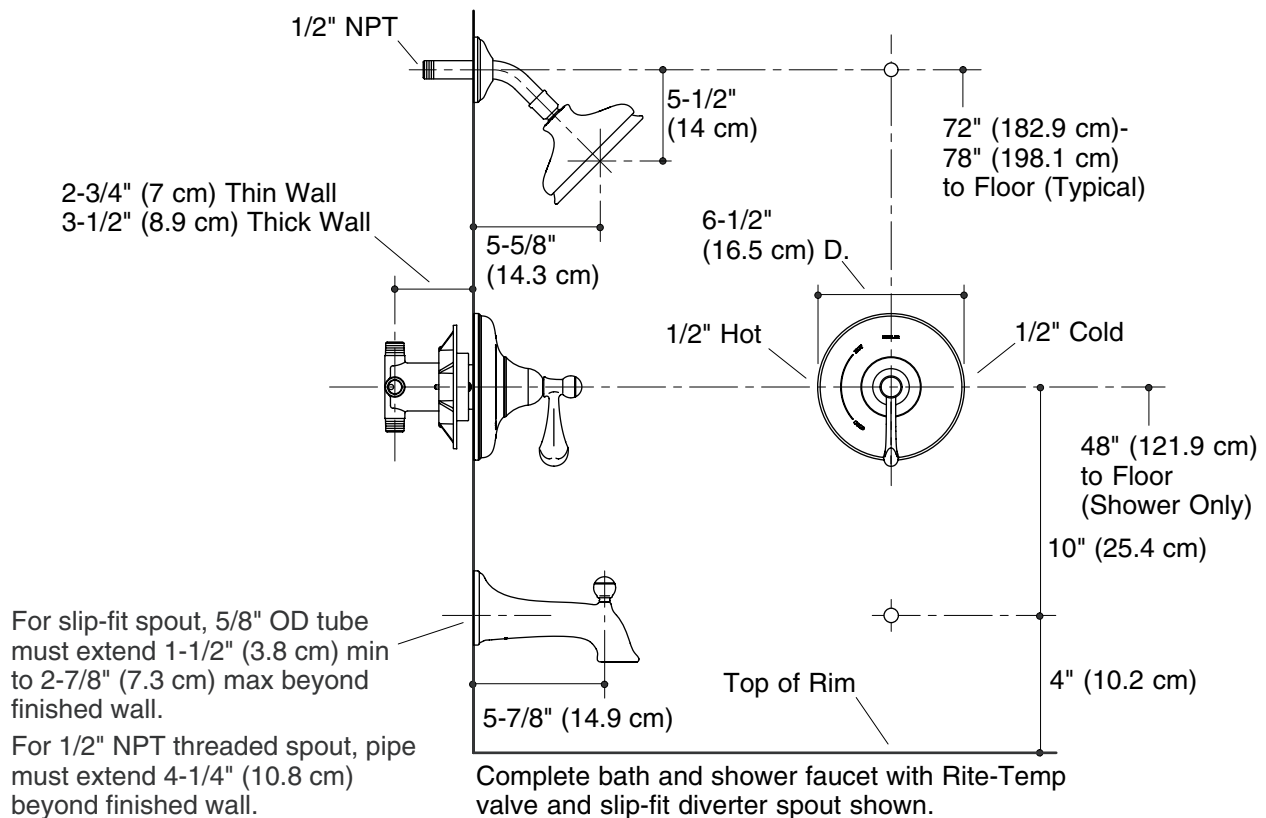
**WARNING: Risk of damage to the K-306-KS valve assembly.** When using the K-306-KS valve in a fiberglass or acrylic installation, use the thin wall installation kit (88526).

Install the Rite-Temp valve according to the installation guide.

Avoid cross-flow conditions. Do not install a shut-off device on either valve outlet.

Cap the shower outlet if the deck-mounted spout, diverter, or handshower is connected to the spout outlet.

Install a 7" (17.8 cm) to 18" (45.7 cm) straight pipe or straight tube with single bath elbow between the valve and the wall-mount spout.



## Product Diagram