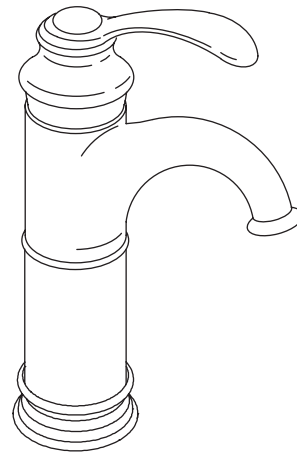


**SINGLE CONTROL LAVATORY  
FAUCET  
K-12183**

**ADA**

**Features**

- Metal construction
- One-piece, self-contained ceramic disc valve allows both volume and temperature control
- Temperature memory allows faucet to be turned on and off at any temperature setting
- High-temperature limit stop for added safety
- 2.2 gallons (8.3 L) per minute
- Lower flow aerator options are available (refer to the Kohler Price Book)
- 5" (12.7 cm) spout
- Lever handle
- Single-hole mounting
- Flexible supplies



**Codes/Standards Applicable**

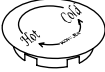
Specified model meets or exceeds the following:

- ASME A112.18.1
- CSA B125
- IAPMO/UPC
- NSF 61
- Energy Policy Act of 1992 (EPACT)

**Colors/Finishes**

- CP: Polished Chrome
- PB: Polished Brass
- Other: Refer to Price Book for additional colors/finishes

**Specified Model:**

Model	Description	Color/Finish		
K-12183	Lavatory faucet with escutcheon ring	<input type="checkbox"/> CP	<input type="checkbox"/> PB	<input type="checkbox"/> Other _____
<b>Optional Accessory</b>				
K-12001	Plug button	<input type="checkbox"/> Other _____		

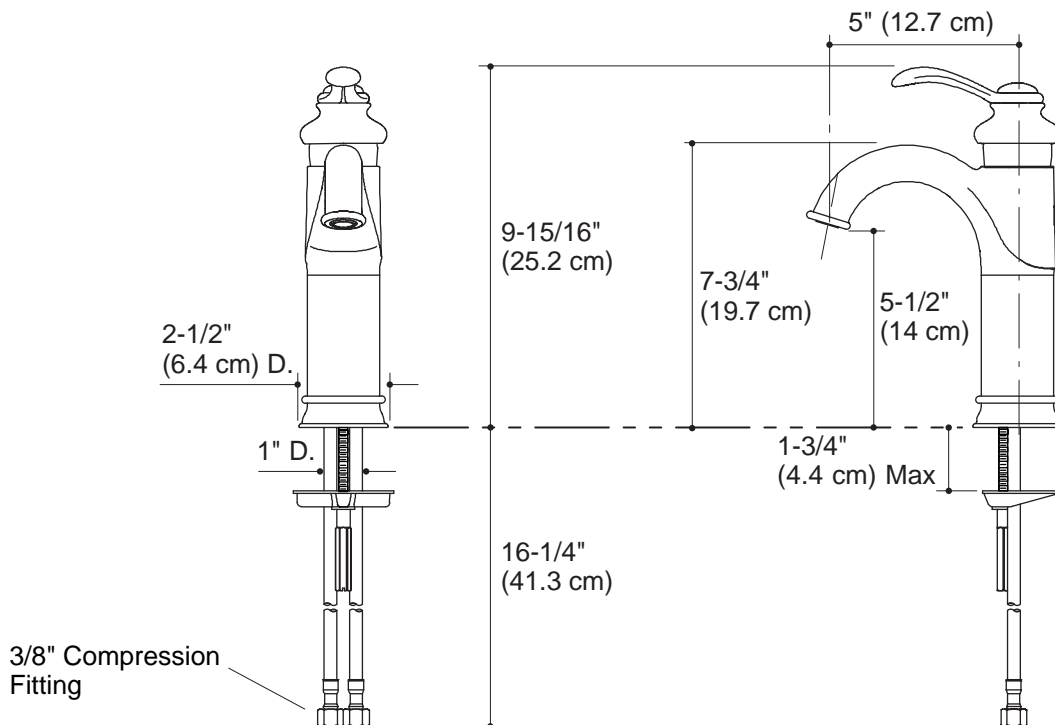
**PRODUCT SPECIFICATION**

Single control lavatory faucet shall be of metal construction. The valve shall be a one-piece, self-contained ceramic disc valve, and allows both volume and temperature control. The valve shall feature temperature memory, allowing the faucet to be turned on and off at any temperature setting, and includes a high-temperature limit stop. Faucet shall have a 2.2 gallons (8.3 L) per minute flow rate. Product shall have lower flow aerator options. Product shall include 5" (12.7 cm) spout and lever handle. Product shall be available with single-hole escutcheon ring. Faucet shall be Kohler Model K-12183-\_\_\_\_\_.

# FAIRFAX®

## Installation Notes

Install this faucet following the installation instructions provided.



## Product Diagram