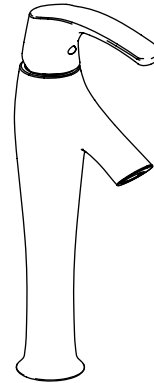


**LAVATORY FAUCET  
K-19774**

**ADA**

**Features**

- Brass construction
- One-piece, self-contained ceramic disc valve allows both volume and temperature control
- Temperature memory allows faucet to be turned on and off at any temperature setting
- High-temperature limit stop for added safety
- 3-5/8" (9.2 cm) spout
- Single-hole mounting
- Lever handle
- 2.2 gallons (8.3 L) per minute
- Lower flow aerator options are available (refer to the Kohler Price Book)
- Flexible connections for easy installation
- Available with brass pop-up drain



**Codes/Standards Applicable**

Specified model meets or exceeds the following:

- ADA
- ASME A112.18.1
- CSA B125
- IAPMO/UPC
- NSF 61

**Colors/Finishes**

- CP: Polished Chrome
- Other: Refer to Price Book for additional colors/finishes

**Specified Model**

Model	Description	Description	
K-19774-4	Lavatory faucet	<input type="checkbox"/> CP	<input type="checkbox"/> Other _____

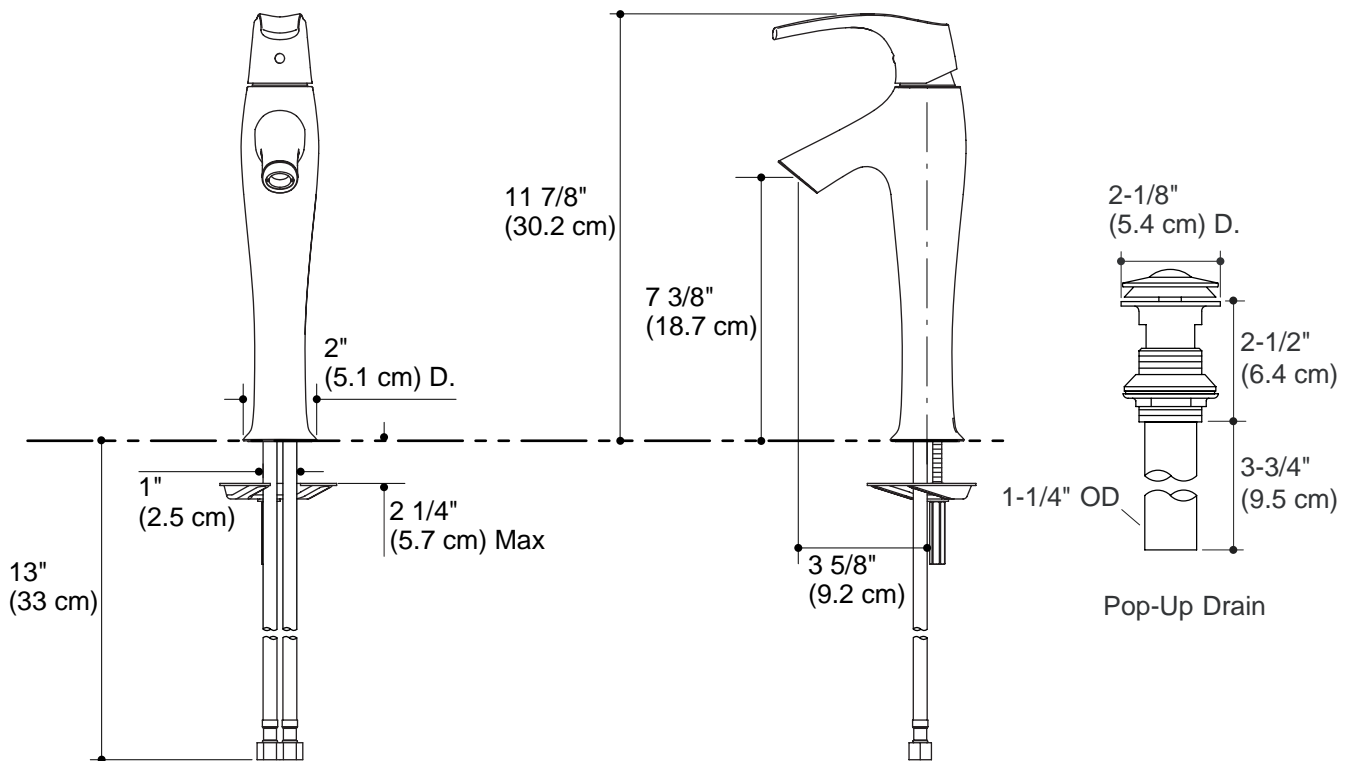
**Product Specification**

Single-control lavatory faucet shall be of brass construction. Product shall have a one-piece, self-contained ceramic disc valve, allowing both volume and temperature control. Product shall feature temperature memory, allowing the faucet to be turned on and off at any temperature setting. Product shall feature a high-temperature limit stop and single-hole mounting. Product shall have a 2.2 gallon (8.3 liter) per minute flow rate with lower flow aerator options available (refer to the Kohler Price Book). Product shall include flexible connections for easy installation, a 3-5/8" (9.2 cm) spout, a lever handle, and a brass pop-up drain. Faucet shall be Kohler Model K-19774-4-\_\_\_\_\_.

# SYMBOL™

## Installation Notes

Install this product according to the installation guide.



## Product Diagram