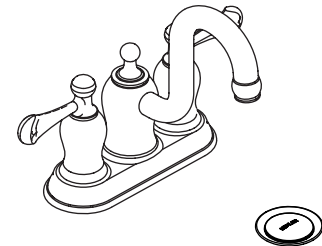


**CENTERSET LAVATORY FAUCET
K-11550**

ADA

Features

- Brass construction
- Cast brass waterway
- Brass valve bodies
- Quarter-turn washerless ceramic disc valves
- 2.2 gpm (8.3 lpm) flow rate
- Lower flow aerator options are available (refer to the Kohler Price Book)
- For 4" (10.2 cm) centers
- 5" (12.7 cm) spout reach
- Lever handles
- Pop-up drain with tailpiece



Codes/Standards Applicable

Specified model meets or exceeds the following:

- ADA
- ASME A112.18.1/CSA B125.1
- IAPMO/UPC
- NSF 61
- Energy Policy Act of 1992 (EPACT)
- ICC/ANSI A117.1

Colors/Finishes

- CP: Polished Chrome
- Other: Refer to Price Book for additional colors/finishes

Specified Model:

Model	Description	Color/Finish	
K-11550	Lavatory faucet	<input type="checkbox"/> CP	<input type="checkbox"/> Other _____

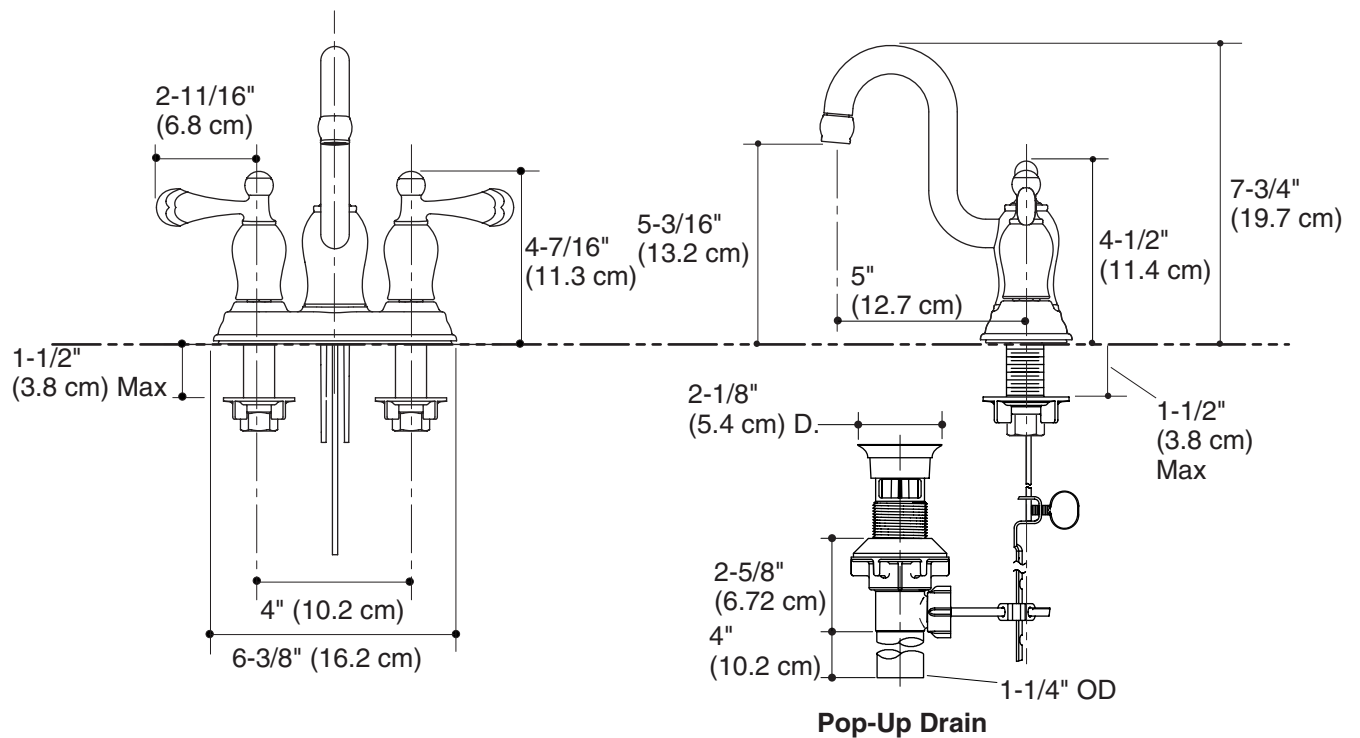
PRODUCT SPECIFICATION

Two-handle centerset lavatory faucet shall be of brass construction. Faucet shall feature brass valve bodies. Faucet shall feature quarter-turn washerless ceramic disc valves, assuring positive handle stop positioning. Faucet shall have a 2.2 gallons (8.3 L) per minute flow rate. Product shall have lower flow aerator options. Product shall include 4" (10.2 cm) centers, 5" (12.7 cm) spout, pop-up drain with tailpiece, and lever handles. Faucet shall be Kohler Model K-11550-_____.

BELLHAVEN™

Installation Notes

Install this faucet following the installation instructions provided.



Product Diagram