

Features

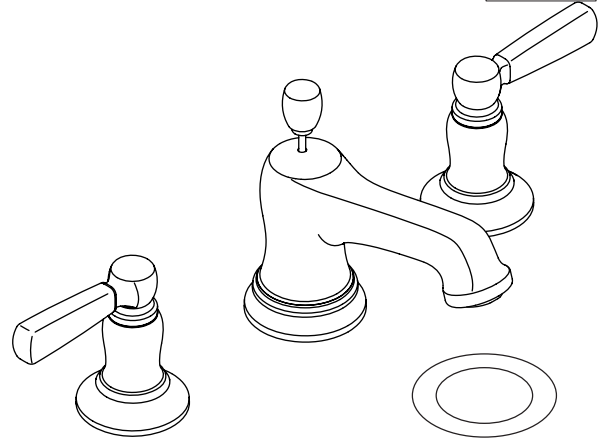
- Metal construction
- Flexible connections for easy installation
- Brass valve bodies
- Reversible quarter-turn washerless ceramic disc valves
- Lower flow aerator options are available (refer to the Kohler Price Book)
- Pop-up drain with lift rod and tailpiece
- Lever handle
- Complements Bancroft™ Suite
- 2.2 gallons (8.3 L) per minute maximum flow rate
- 4-7/8" (12.4 cm) spout

WIDESPREAD LAVATORY FAUCET

K-10577

ALSO K-10578

ADA



Codes/Standards Applicable

Specified model meets or exceeds the following:

- ASME A112.18.1/CSA B125.1
- IAPMO/UPC
- NSF 61
- Energy Policy Act of 1992
- ADA

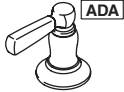

Colors/Finishes

- CP: Polished Chrome
- Other: Refer to Price Book for additional colors/finishes

Accessories

- NA: None applicable

Specified Model

Model	Description		
K-10577-4	Lavatory faucet with metal lever handle and metal drain	<input type="checkbox"/> CP <input type="checkbox"/> Other ____	
K-10577-4P	Lavatory faucet with ceramic lever handle and metal drain		<input type="checkbox"/> CP <input type="checkbox"/> Other ____
K-10578-4	Lavatory faucet with metal lever handle and plastic drain	<input type="checkbox"/> CP <input type="checkbox"/> Other ____	
K-10578-4P	Lavatory faucet with ceramic lever handle and plastic drain		<input type="checkbox"/> CP <input type="checkbox"/> Other ____

Optional Accessories

40003	Wrench for long-stemmed ceramic valve bodies	<input type="checkbox"/> NA
-------	----------------------------------------------	-----------------------------

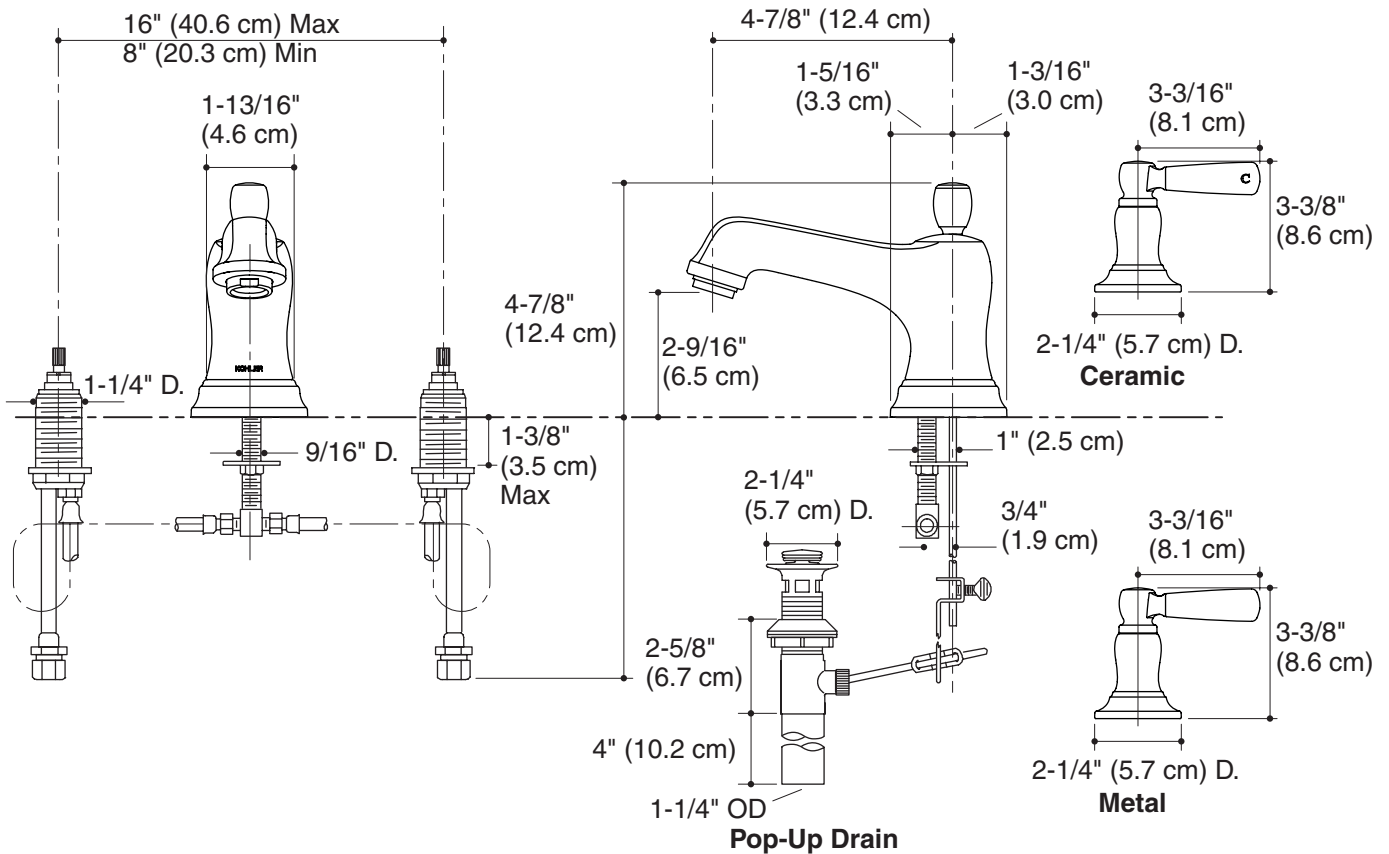
Product Specification

The two-handle widespread lavatory faucet shall be of metal construction with brass valve bodies. Faucet shall have a 2.2 gpm (8.3 lpm) flowrate. Product shall have lower flow aerator options. Faucet shall feature reversible quarter-turn washerless ceramic disc valves, assuring positive handle stop positioning. Product shall include flexible connections, 4-7/8" (12.4 cm) spout, pop-up drain with lift rod and tailpiece, and lever handles. Product shall complement the Bancroft™ Suite. Faucet shall be Kohler Model K-____-____-____.

BANCROFT™

Installation Notes

Install this product according to the installation guide.



Product Diagram