

**LAVATORY FAUCET**

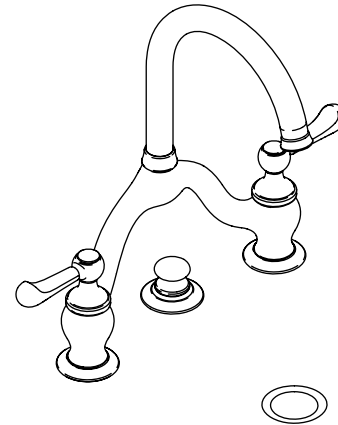
**K-10332**

**ALSO K-10341**

**ADA**

**Features**

- Brass construction
- Brass valve bodies
- Quarter-turn washerless ceramic disc valves
- Lever handles
- One-piece bridge configuration
- For 8" (20.3 cm) centers
- 2.2 gallon (8.3 L) per minute flow rate
- 5" (12.7 cm) spout reach
- Soft, quiet laminar water flow to minimize splashing
- Complements the Lyntier™ suite



**Codes/Standards Applicable**

Specified model meets or exceeds the following:

- ASME A112.18.1/CSA B125.1
- IAPMO/UPC
- Energy Policy Act of 1992 (EPACT)
- NSF 61
- ADA

**Colors/Finishes**

- CP: Polished Chrome
- Other: Refer to Price Book for additional colors/finishes

**Specified Model**

Model	Description	Colors/Finishes	
K-10332-4	Lavatory faucet for 8" (20.3 cm) centers - with metal pop-up drain	<input type="checkbox"/> CP	<input type="checkbox"/> Other ____
K-10332-4D	Lavatory faucet for 8" (20.3 cm) centers - with plastic pop-up drain	<input type="checkbox"/> CP	<input type="checkbox"/> Other ____
K-10341-4	Lavatory faucet for 8" (20.3 cm) centers - without drain	<input type="checkbox"/> CP	<input type="checkbox"/> Other ____

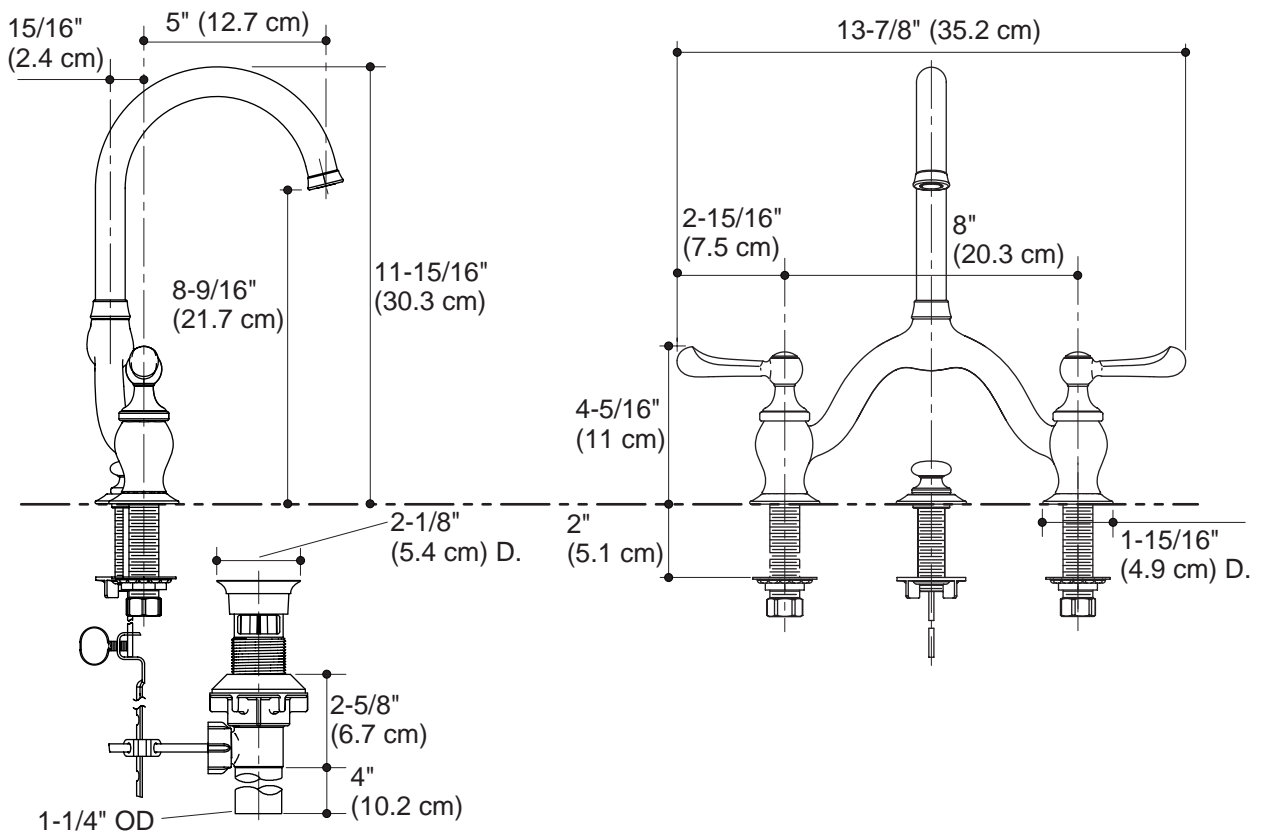
**Product Specification**

The one-piece bridge configuration lavatory faucet shall be of brass construction. Faucet shall feature brass valve bodies and quarter-turn washerless ceramic disc valves. Product shall be for 8" (20.3 cm) centers. Faucet shall feature a 2.2 gallon (8.3 L) per minute flow rate, 5" (12.7 cm) spout reach, lever handles, and soft, quiet laminar water flow to minimize splashing. Product shall complement the Lyntier™ suite. Faucet shall be Kohler Model K-\_\_\_\_\_-\_\_\_\_\_-.

# LYNTIER™

## Installation Notes

Install this product according to the installation guide.



### Product Diagram