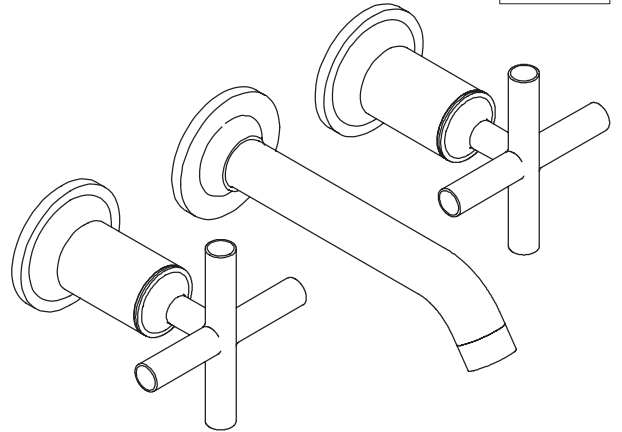


Features

- Dual control wall-mounted
- Brass construction
- Lower flow aerator options are available (refer to the Kohler Price Book)
- Cross or lever handles
- 2.2 gpm (8.3 lpm) flow rate

**WALL-MOUNT FAUCET
K-T14413
ALSO K-T14415, K-T14417**

ADA



Codes/Standards Applicable



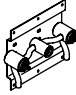
Specified model meets or exceeds the following:

- ASME A112.18.1/CSA B125.1
- IAPMO/UPC
- NSF 61
- Energy Policy Act of 1992 (EPACT)
- ADA

Colors/Finishes

- CP: Polished Chrome
- Other: Refer to Price Book for additional colors/finishes

Specified Model





Model	Description	 ADA	 ADA
K-T14413-3	Faucet with cross handles and a 6-1/4" (15.9 cm) 35° spout	<input type="checkbox"/> CP <input type="checkbox"/> Other ____	
K-T14413-4	Faucet with lever handles and a 6-1/4" (15.9 cm) 35° spout		<input type="checkbox"/> CP <input type="checkbox"/> Other ____
K-T14415-3	Faucet with cross handles and a 8-1/4" (21 cm) 35° spout	<input type="checkbox"/> CP <input type="checkbox"/> Other ____	
K-T14415-4	Faucet with lever handles and a 8-1/4" (21 cm) 35° spout		<input type="checkbox"/> CP <input type="checkbox"/> Other ____
K-T14417-3	Faucet with cross handles and a 10-1/4" (26 cm) 35° spout	<input type="checkbox"/> CP <input type="checkbox"/> Other ____	
K-T14417-4	Faucet with lever handles and a 10-1/4" (26 cm) 35° spout		<input type="checkbox"/> CP <input type="checkbox"/> Other ____
Required Accessories			
K-410-K	Wall-mount valve	<input type="checkbox"/> NA	

Optional Accessories on Page 2.

Product Specification

Dual-control wall-mount faucet shall be of brass construction. Faucet shall be rated at 2.2 gallons (8.3 L) per minute. Faucet shall have lower flow aerator options. Faucet shall include cross or lever handles. Faucet shall be Kohler Model K-T____-____-____ with K-410-K valve.

PURIST®

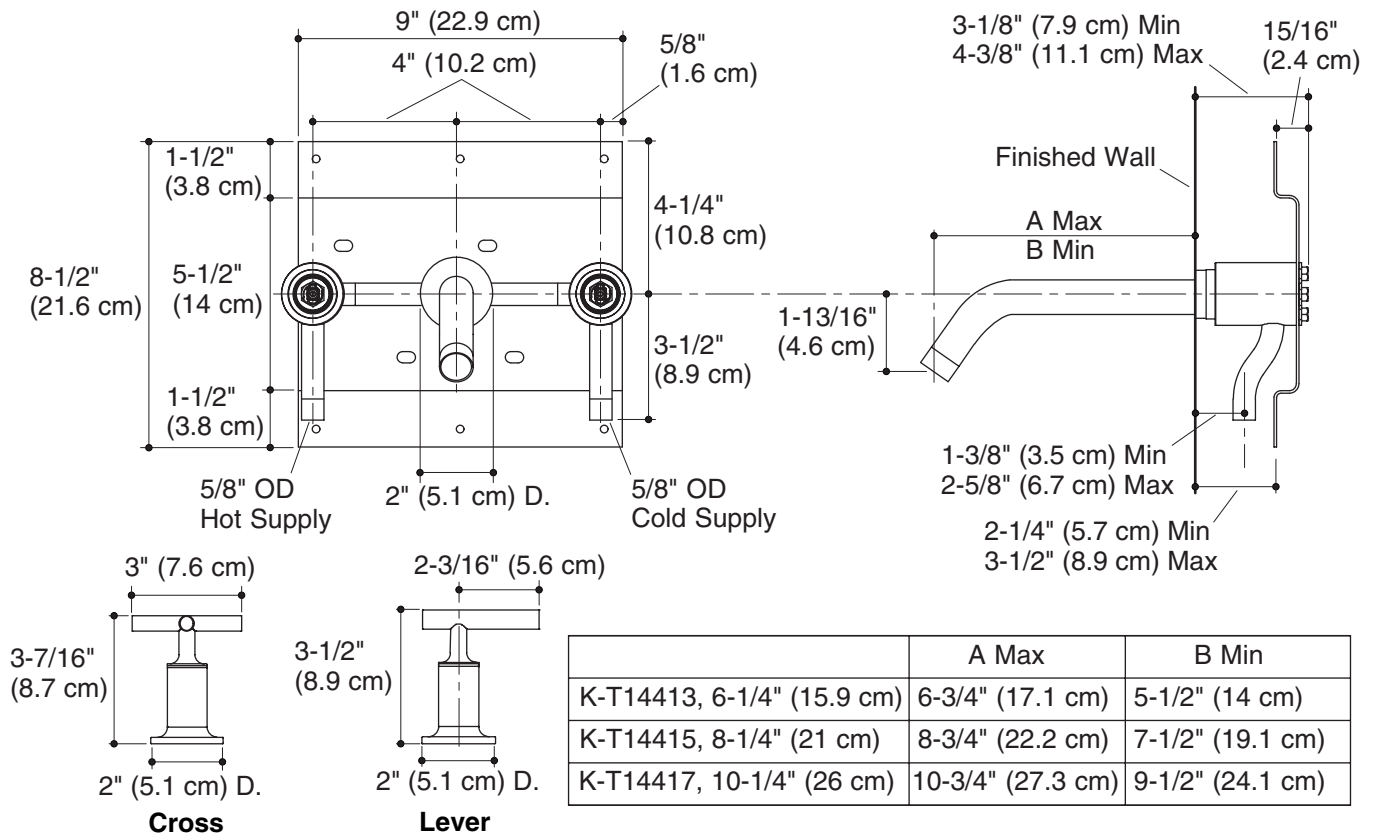
Optional Accessories						
K-7702	Pop-up lavatory drain	<input type="checkbox"/> CP				
K-7710	Lavatory drain		<input type="checkbox"/> CP			
K-7715	Lavatory drain			<input type="checkbox"/> CP		
K-8801	Duostrainer® sink strainer				<input type="checkbox"/> CP	<input type="checkbox"/> Other_____

Installation Notes

Install this product according to the installation guide.

1-1/2" (3.8 cm) to 6" (15.2 cm) minimum must be maintained between bottom of spout and top of the fixture rim.

Three 1-1/2" (3.8 cm) D. cut-out holes required for spout and handles.



Product Diagram