

**WALL-MOUNT FAUCET  
K-T944-4  
ALSO K-410-K**

ADA

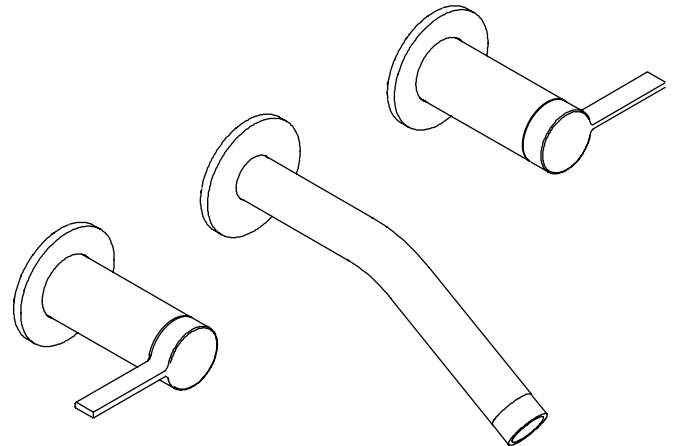
**Features**

- Brass construction
- Dual control wall-mounted
- Lever handles
- 2.2 gpm (8.3 lpm) flow rate
- Lower flow aerator options are available (refer to the Kohler Price Book)

**Codes/Standards Applicable**

Specified model meets or exceeds the following:

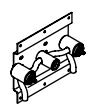
- ASME A112.18.1/CSA B125.1
- IAPMO/UPC
- NSF 61
- Energy Policy Act of 1992 (EPACT)
- ADA



**Colors/Finishes**

- CP: Polished Chrome
- Other: Refer to Price Book for additional colors/finishes

**Specified Model**

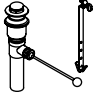



Model	Description	Colors/Finishes
K-T944-4	Wall-mount faucet trim	<input type="checkbox"/> CP <input type="checkbox"/> Other _____
<b>Required Accessories</b>		
K-410-K	Wall-mount valve	<input type="checkbox"/> NA

Optional Accessories on Page 2.

**Product Specification**

Dual-control wall-mount faucet shall be of brass construction. Faucet shall include lever handles. Faucet shall be rated at 2.2 gallons (8.3 L) per minute. Faucet shall have lower aerator options. Faucet shall be Kohler Model K-T944-4-\_\_\_\_\_.

# STILLNESS®

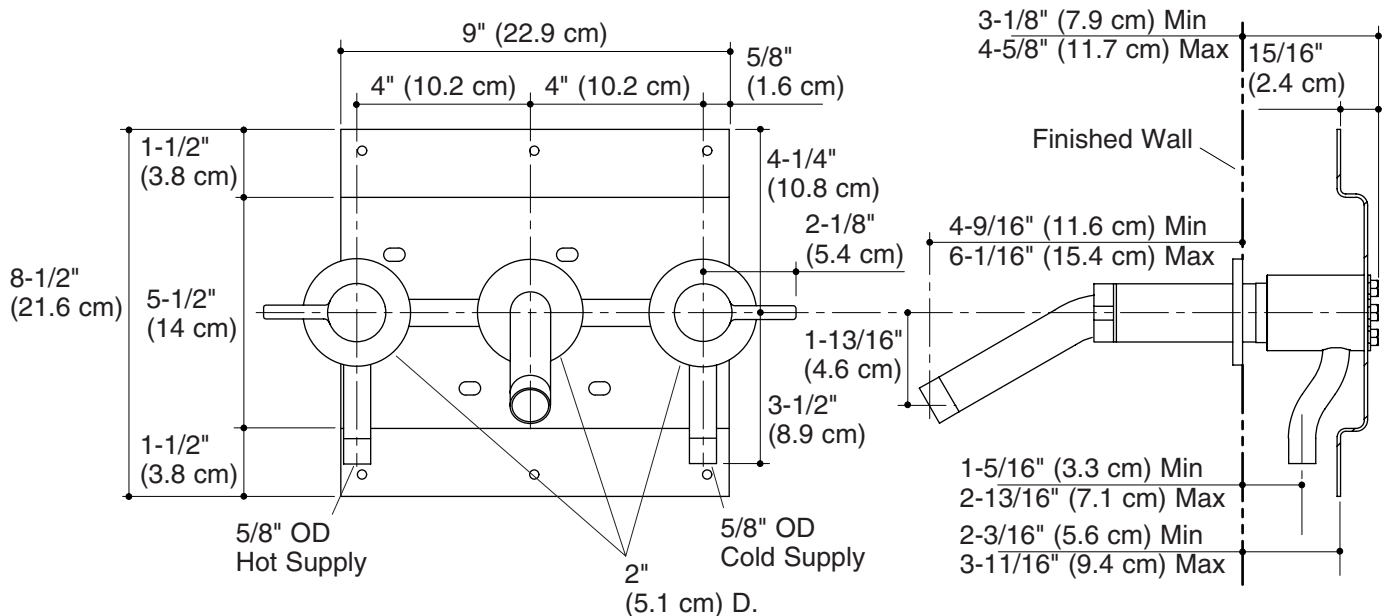
Optional Accessories						
K-7702	Pop-up lavatory drain	<input type="checkbox"/> CP				
K-7710	Lavatory drain		<input type="checkbox"/> CP			
K-7715	Lavatory drain			<input type="checkbox"/> CP		
K-8801	Duostrainer® sink strainer				<input type="checkbox"/> CP	<input type="checkbox"/> Other___

## Installation Notes

Install this product according to the installation guide.

A minimum of 4" (10.2 cm) must be maintained between the bottom of the spout and the top of the fixture rim.

Three 1-1/2" (3.8 cm) D. holes are required for the spout and handles.



## Product Diagram