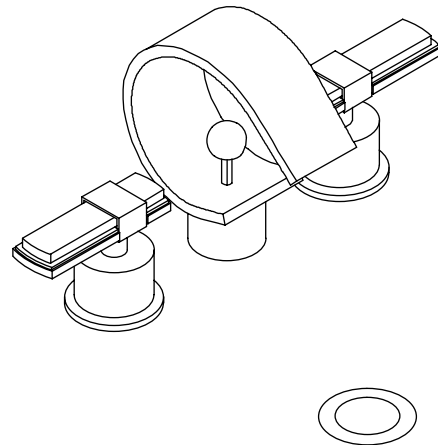


**LAVATORY FAUCET
K-7914**

ADA

Features

- Brass construction
- Flexible connections
- Brass valve bodies
- Quarter turn, washerless ceramic disc valves
- 3-1/4 (8.3 cm) sheetflow spout
- 2.0 gallons (7.5 L) per minute
- Pop-up drain with lift rod and tailpiece
- Lever handles



Codes/Standards Applicable

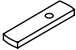
Specified model meets or exceeds the following:

- ASME A112.18.1
- CSA B125
- Energy Policy Act of 1992 (EPACT)
- IAPMO/UPC
- NSF 61

Colors/Finishes

- CP: Polished Chrome
- PB: Polished Brass

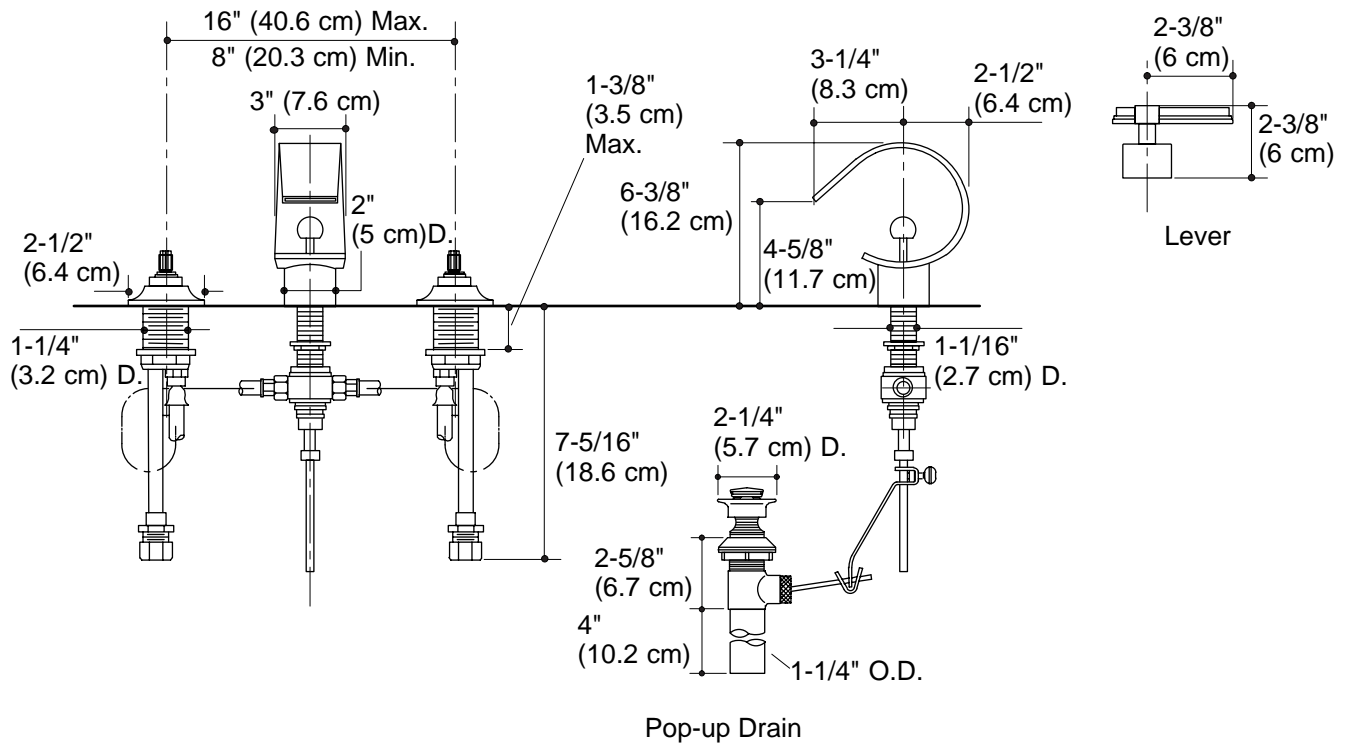
Specified Model:

Model	Description	Color/Finishes		
K-7914-4	With Lever Handles	<input type="checkbox"/> CP	<input type="checkbox"/> PB	
Optional Accessory				
K-9971	Small Lever Handle Metal Inset, Single	<input type="checkbox"/> CP	<input type="checkbox"/> PB	<input type="checkbox"/> Other _____

PRODUCT SPECIFICATION

Two-handle widespread lavatory faucet shall be of brass construction. Faucet shall feature brass valve bodies. Faucet shall feature quarter-turn washerless ceramic disc valves, assuring positive handle stop positioning. Product shall include flexible connections, 3-1/4" (8.3 cm) sheetflow spout, pop-up drain with lift rod and tailpiece, and lever handles. Faucet shall be Kohler Model K-7914_____.

ALTERNA™



Product Diagram