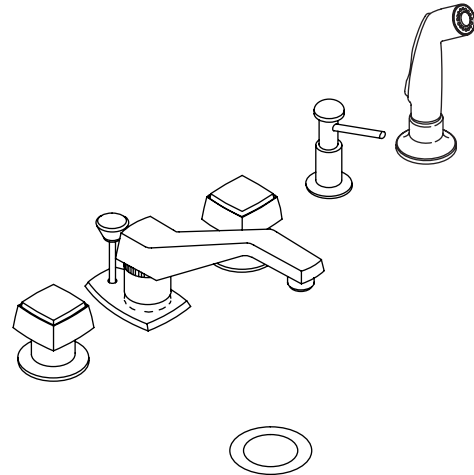


Features

- Brass construction
- For 8" (20.3 cm) centers
- Brass valve bodies
- Quarter-turn washerless ceramic disc valves
- 6-1/2" (16.5 cm) swing spout
- 2 gallons (7.5 L) per minute
- Pop-up drain with lift rod and tailpiece
- Square handles
- White shampoo spray
- Available with or without soap/lotion dispenser
- K-6956-2 is intended for K-2170 Lady Vanity™ lavatory installations
- K-6962-2 is intended for K-2885 Man's Lav™ lavatory installations

**LAVATORY SHAMPOO FAUCET
K-6962-2
ALSO K-6956-2**



Codes/Standards Applicable

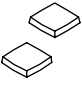
Specified model meets or exceeds the following:

- ASME A112.18.1/CSA B125.1
- Energy Policy Act of 1992 (EPACT)
- IAPMO/UPC
- NSF 61

Colors/Finishes

- CP: Polished Chrome
- PB: Polished Brass
- Other: Refer to Price Book for additional colors/finishes

Specified Model

Model	Description	Colors/Finishes		
K-6962-2	With soap/lotion dispenser	<input type="checkbox"/> CP	<input type="checkbox"/> PB	<input type="checkbox"/> Other ____
K-6956-2	Less soap/lotion dispenser	<input type="checkbox"/> CP	<input type="checkbox"/> PB	<input type="checkbox"/> Other ____
Optional Accessories		Colors/Finishes		
 K-9924	Small handle metal inserts, pair	<input type="checkbox"/> CP	<input type="checkbox"/> PB	<input type="checkbox"/> Other ____

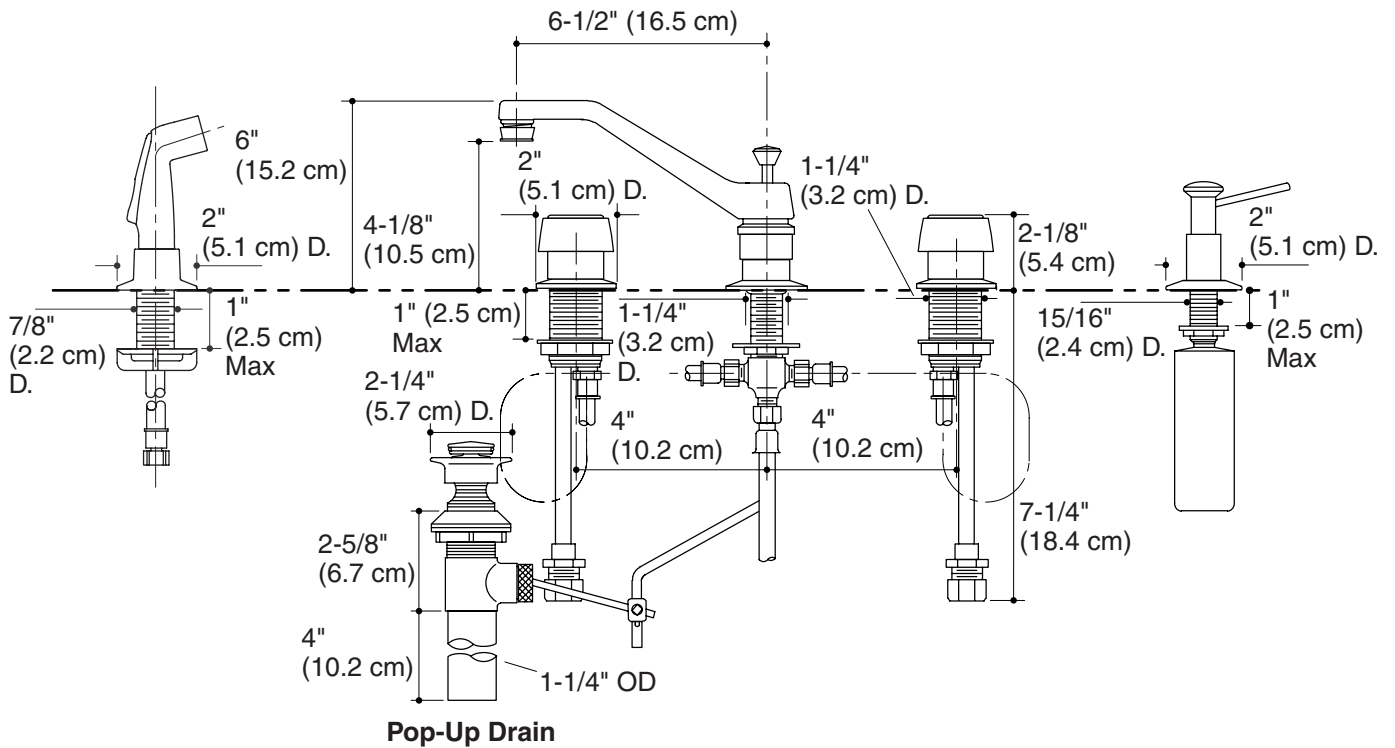
Product Specification

Two-handle widespread lavatory shampoo faucet shall be of brass construction. Faucet shall feature brass valve bodies. Faucet shall feature quarter-turn washerless ceramic disc valves, assuring positive handle stop positioning. Product shall include 8" (20.3 cm) centers, 6-1/2" (16.5 cm) swing spout, pop-up drain with lift rod and tailpiece, square handles, and white shampoo spray. Optional features shall be with or without soap/lotion dispenser. K-6952-2 is intended for K-2170 Lady Vanity lavatory installations, and K-6962-2 is intended for K-2885 Man's Lav lavatory installations. Faucet shall be Kohler Model K-_____-2-_____.

ALTERNA™

Installation Notes

Install this product according to the installation guide.



Product Diagram