

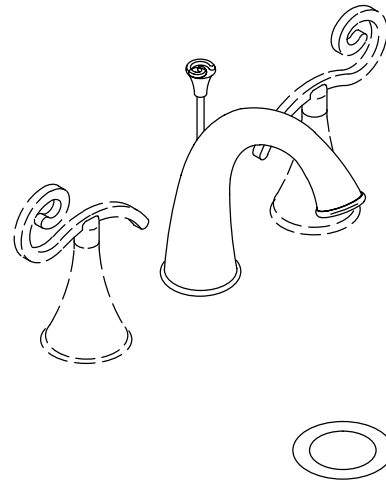
**FEATURES**

- Brass construction
- Flexible connections
- Brass valve bodies
- Quarter-turn washerless ceramic disc valves
- 5" high-arch spout
- 2.0 gallons per minute
- Pop-up drain with lift rod and tailpiece
- Variety of handle style options

**CODES/STANDARDS APPLICABLE**

Specified model meets or exceeds the following:




- ASME/ANSI A112.18.1M
- CSA B125
- Energy Policy Act of 1992
- IAPMO/UPC
- NSF 61



**COLORS/FINISHES**

- CP Polished Chrome
- Other Refer to Faucets Price Book for additional finishes

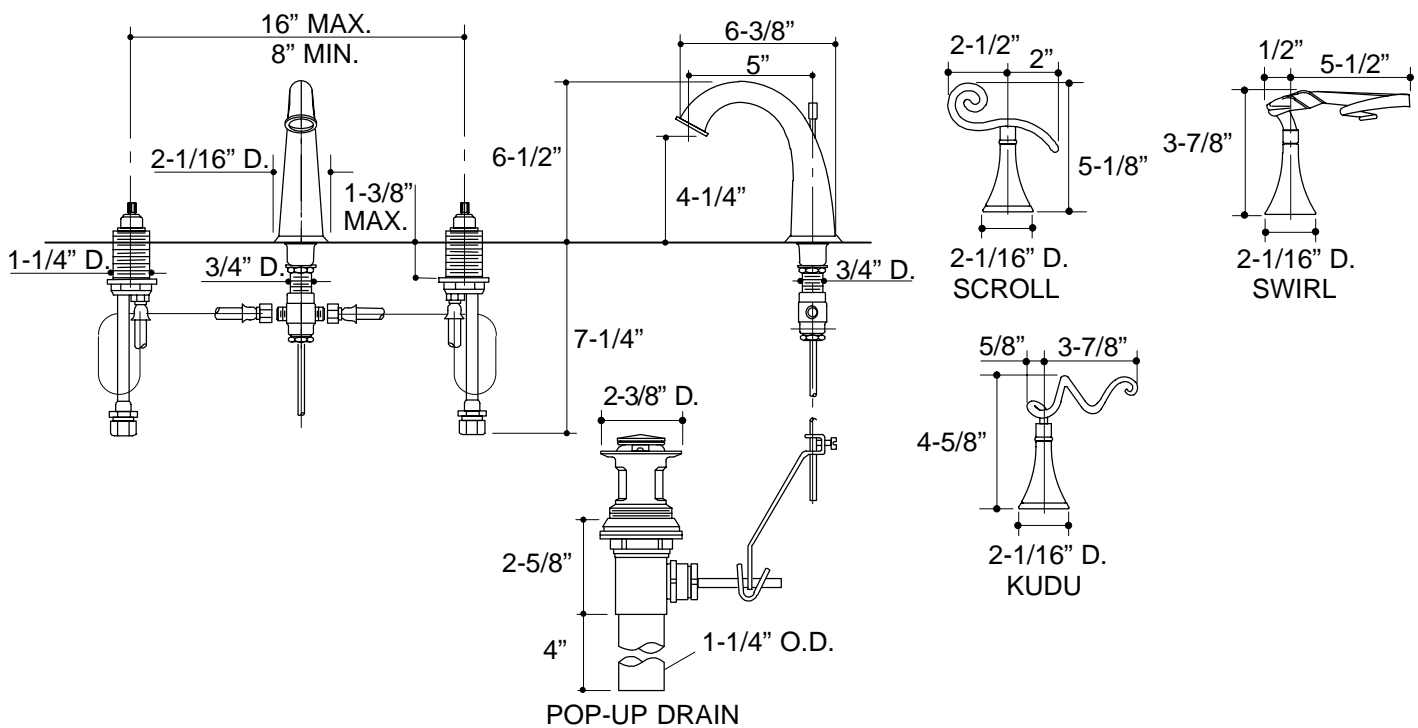
**SPECIFIED MODEL:**

Model	Description	 ADA	 ADA	 ADA
K-610-4S	With Scroll Handles and Accents	<input type="checkbox"/> Other _____		
K-610-4W	With Wrought Swirl Handles and Accents		<input type="checkbox"/> Other _____	
K-610-4T	With Kudu Handles and Accents			<input type="checkbox"/> CP <input type="checkbox"/> Other _____

**PRODUCT SPECIFICATION:**

Two-handle widespread lavatory faucet shall be of brass construction. Faucet shall feature brass valve bodies. Faucet shall feature quarter-turn washerless ceramic disc valves, assuring positive handle stop positioning. Product shall include flexible connections, 5" high-arch spout, pop-up drain with lift rod and tailpiece, and handles. Faucet shall be Kohler Model K-610-\_\_\_\_\_-\_\_\_\_\_.

# FINIAL ART



18

## PRODUCT DIAGRAM