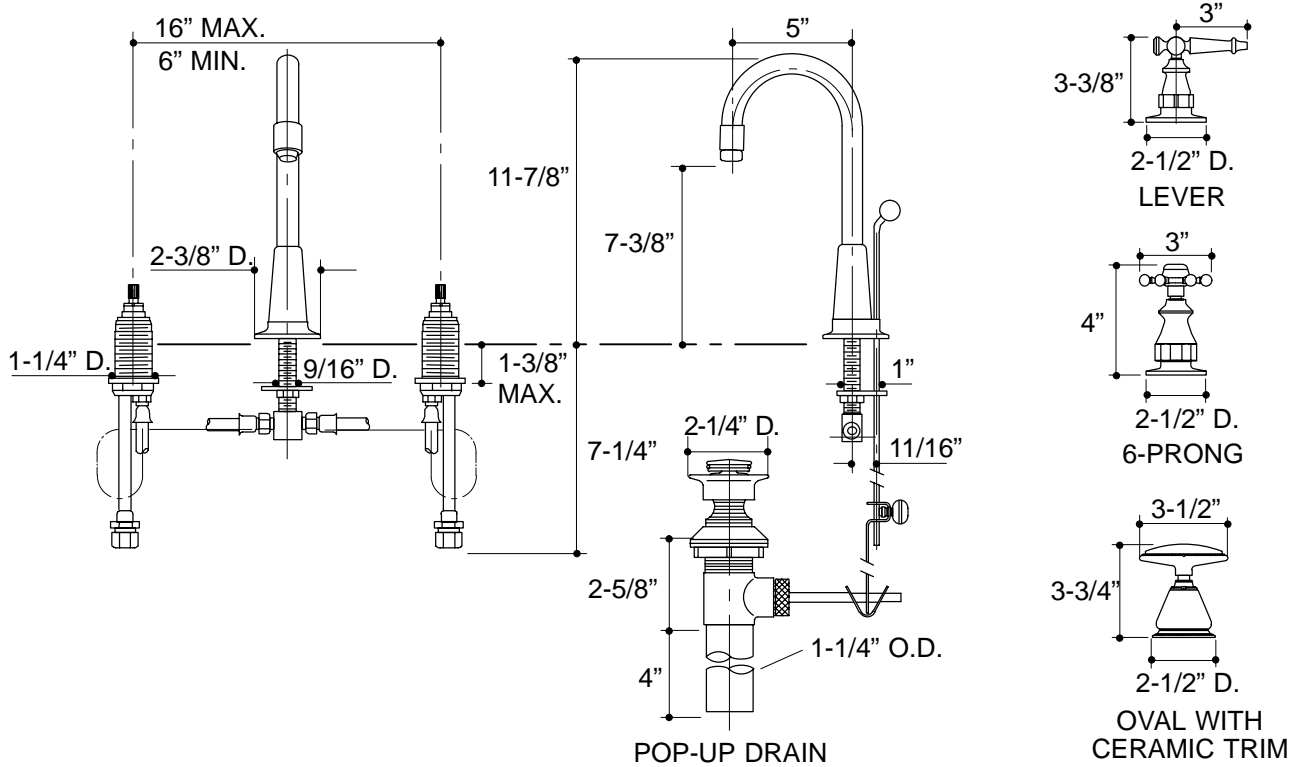


Ordering Information

Applicable faucet:	
Six-prong handles	K-116-3
Lever handles	K-116-4
Oval handles*	K-281-9B
Accessories/hardware:	
Oval handle ceramic trim (pr.)	K-258
Oval handle ceramic trim, garland texture (pr.)	K-253
*Requires oval handle ceramic trim.	
ADA Lever handles are ADA compliant	



18

K-116, K-281-9B Antique™ Lavatory Faucet
110326-1-AA (9619)

KOHLER®

NOTES: