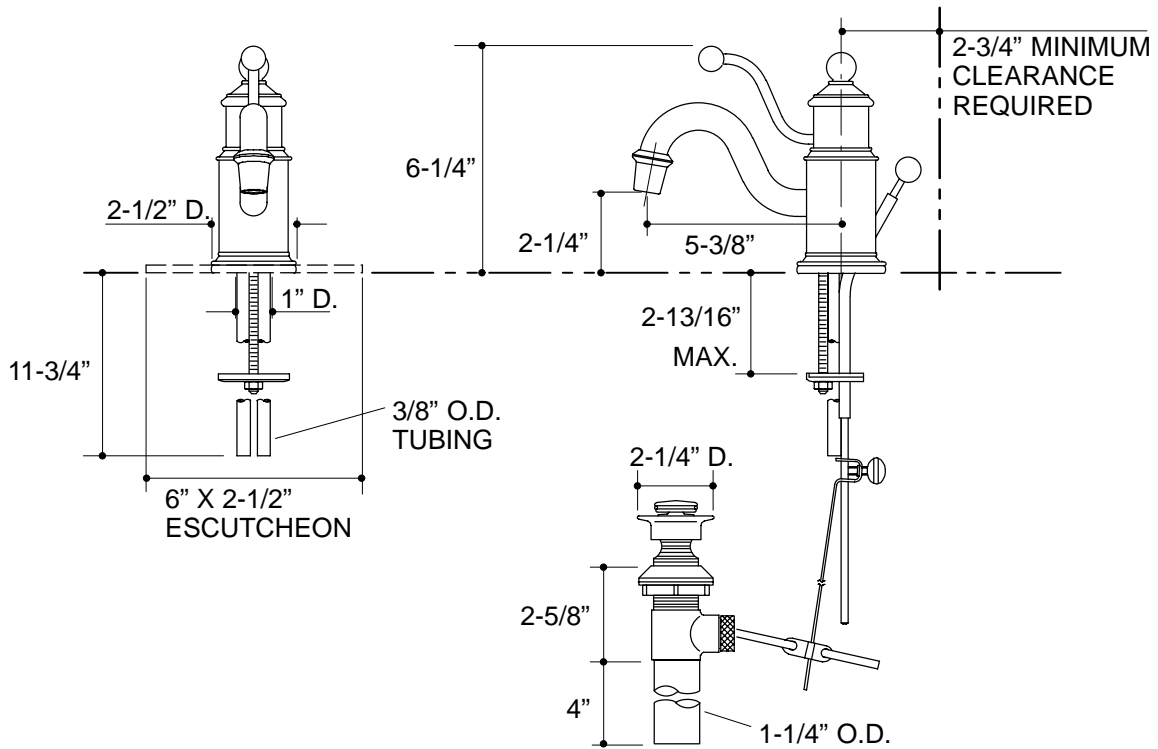


Ordering Information

Applicable faucet:	
With escutcheon	K-138
Without escutcheon	K-139
Accessories/hardware:	
Escutcheon	K-14531
ADA Lever handle is ADA compliant	



316

K-138, K-139 Antique™ Lavatory Faucet
 113345-1-CB

NOTES: