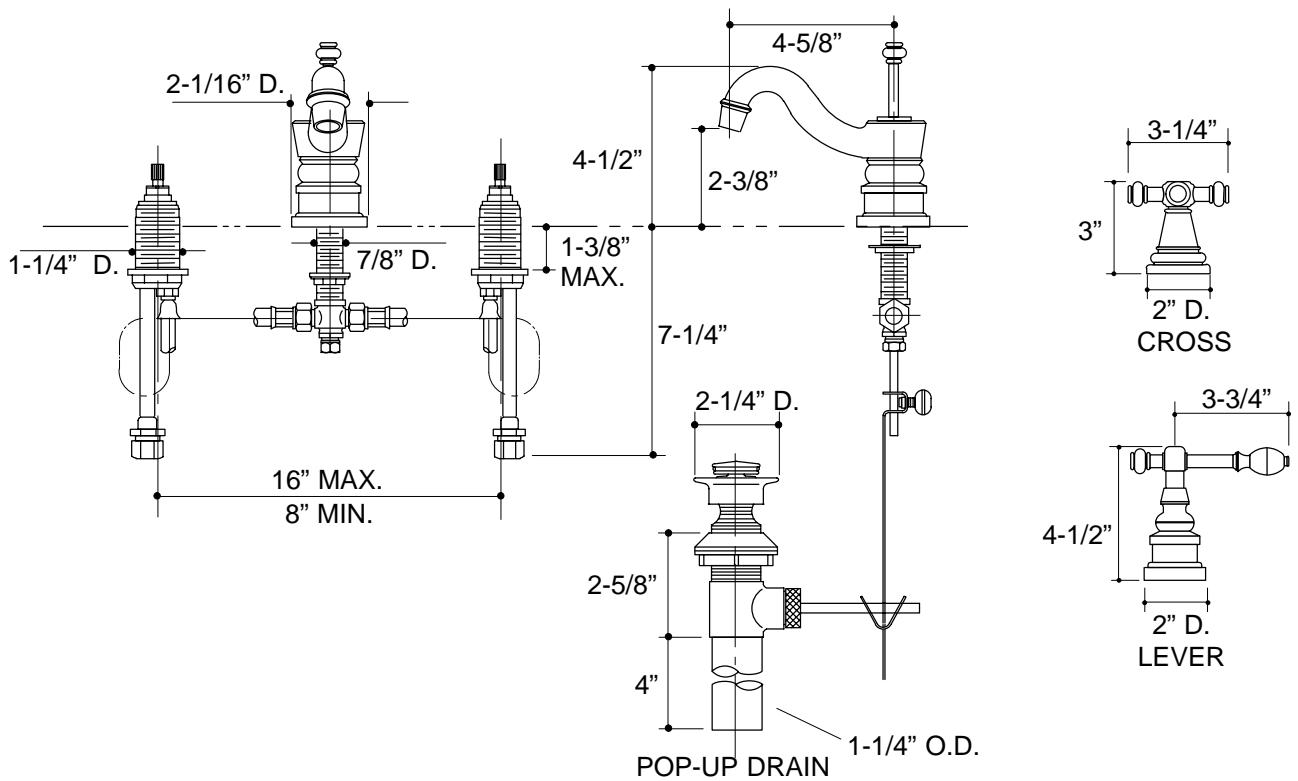


Ordering Information

Applicable faucet:	
With cross handles	K-6811-3
With lever handles	K-6811-4
ADA Lever and cross handles are ADA compliant	



316

K-6811 IV Georges Brass™ Lavatory Faucet
106731-1-AA (9619)

KOHLER®

NOTES: