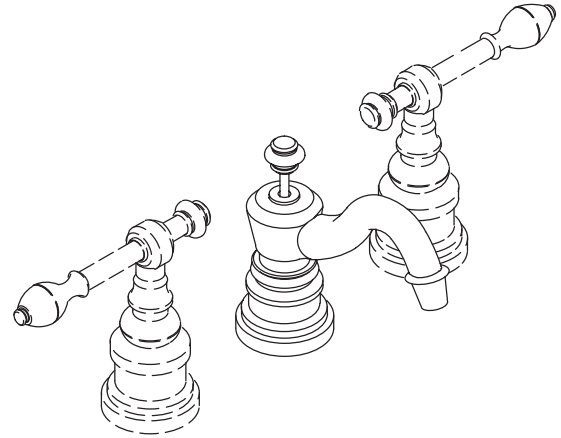


**LAVATORY FAUCET
K-6811**

FEATURES

- Brass construction
- Flexible connections
- Brass valve bodies
- Quarter-turn washerless ceramic disc valves
- 4-5/8" spout
- 2.0 gallons per minute
- Pop-up drain with lift rod and tailpiece
- Available with cross or lever handles



CODES/STANDARDS APPLICABLE



Specified model meets or exceeds the following:

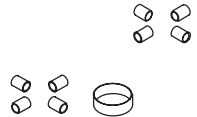
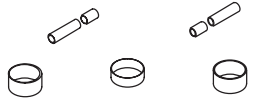
- ASME/ANSI A112.18.1M
- CSA B125
- Energy Policy Act of 1992
- IAPMO/UPC
- NSF 61

COLORS/FINISHES

- PB Polished Brass
- Other Refer to Faucets Price Book for additional finishes

SPECIFIED MODEL:

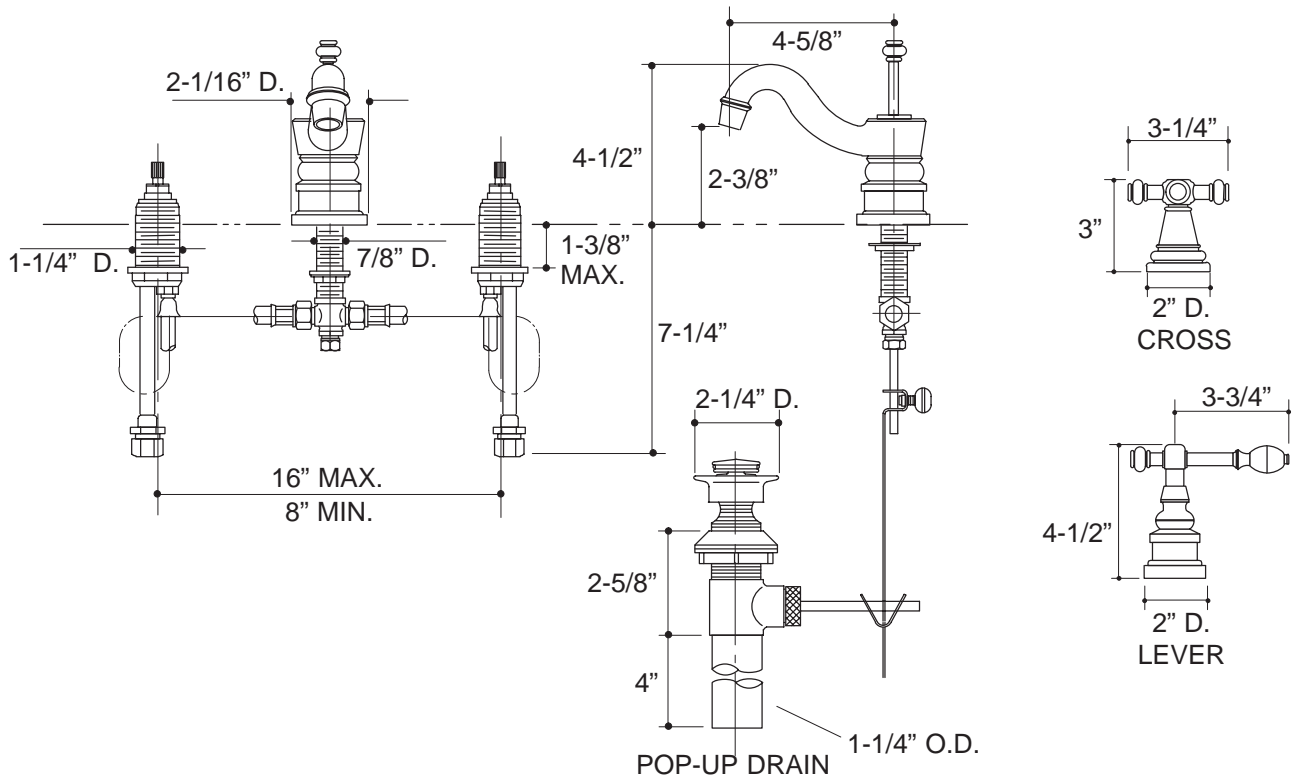
Model	Description	 ADA	 ADA
K-6811-3	With Cross Handles	<input type="checkbox"/> PB <input type="checkbox"/> Other_____	
K-6811-4	With Lever Handles		<input type="checkbox"/> PB <input type="checkbox"/> Other_____

Optional Accessories			
K-6793	IV Georges Brass Accent Kit (For K-6811-3)	<input type="checkbox"/> PB <input type="checkbox"/> Other_____	
K-6799	IV Georges Brass Accent Kit (For K-6811-4)		<input type="checkbox"/> PB <input type="checkbox"/> Other_____

PRODUCT SPECIFICATION:

Two-handle widespread lavatory faucet shall be of brass construction. Faucet shall feature brass valve bodies. Faucet shall feature quarter-turn washerless ceramic disc valves, assuring positive handle stop positioning. Product shall include flexible connections, 4-5/8" spout, pop-up drain with lift rod and tailpiece, and cross or lever handles. Faucet shall be Kohler Model K-6811-_____-_____.

IV GEORGES BRASS™



316

PRODUCT DIAGRAM