

**WIDESPREAD LAVATORY FAUCET  
K-16232**

ADA

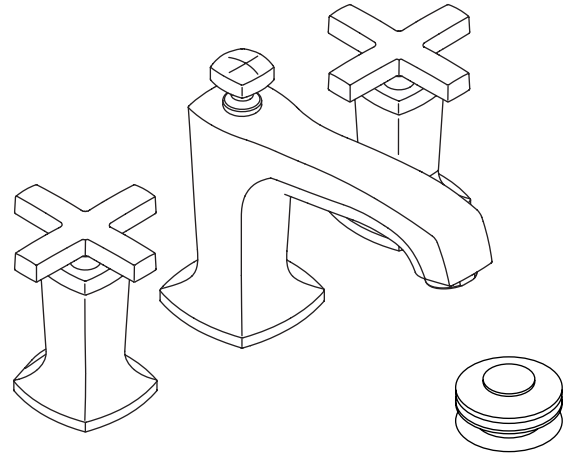
**Features**

- Metal construction
- Brass valve bodies
- Reversible quarter-turn washerless ceramic disc valves
- 2.2 gpm (8.3 lpm) flow rate
- Pop-up drain with lift rod and tailpiece
- Flexible connections for easy installation
- Available with cross or lever handles
- 5-3/8" (13.7 cm) spout length

**Codes/Standards Applicable**

Specified model meets or exceeds the following:

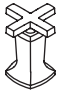

- ASME A112.18.1/CSA B125.1
- NSF 61
- Energy Policy Act of 1992 (EPACT)
- ADA
- IAPMO/cUPC



**Colors/Finishes**

- CP: Polished Chrome
- Other: Refer to Price Book for additional colors/finishes

**Specified Model**

Model	Description	 <b>ADA</b>		 <b>ADA</b>	
		<input type="checkbox"/> CP	<input type="checkbox"/> Other _____	<input type="checkbox"/> CP	<input type="checkbox"/> Other _____
K-16232-3	Lavatory faucet with cross handles	<input type="checkbox"/> CP	<input type="checkbox"/> Other _____		
K-16232-4	Lavatory faucet with lever handles			<input type="checkbox"/> CP	<input type="checkbox"/> Other _____

**Product Specification**

Two-handle widespread lavatory faucet shall be of metal construction. Faucet shall feature brass valve bodies. Faucet shall feature reversible quarter-turn washerless ceramic disc valves, assuring positive handle stop positioning. Product shall include flexible connections for easy installation, 5-3/8" (13.7 cm) spout length, pop-up drain with lift rod and tailpiece, and handles. Faucet shall be Kohler Model K-16232-\_\_\_\_\_-\_\_\_\_\_.

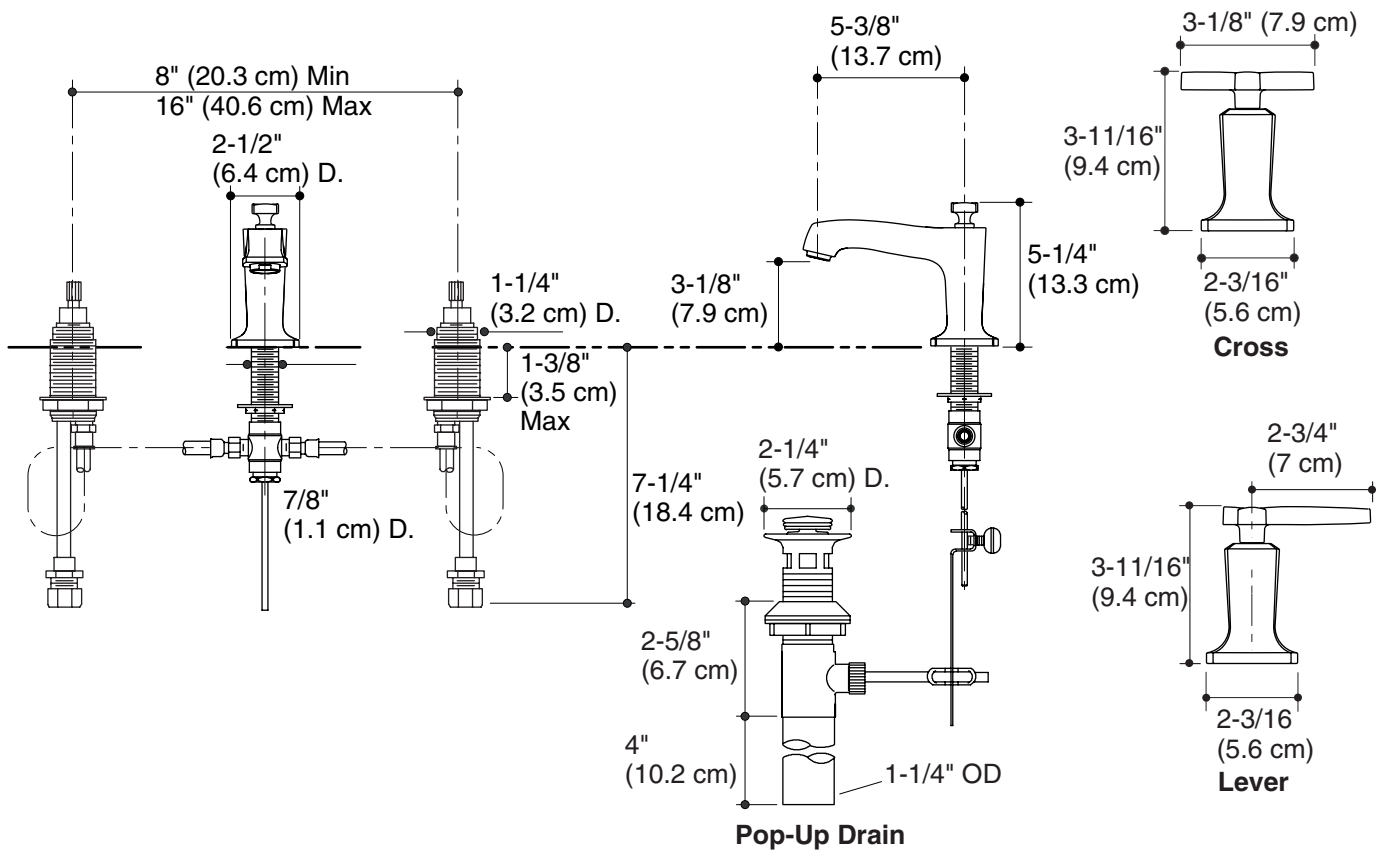
# MARGAUX™

## Technical Information

Applicable faucet:	
Lavatory faucet with cross handles	K-16232-3
Lavatory faucet with lever handles	K-16232-4
Handles are ADA compliant. <b>ADA</b>	

## Installation Notes

Install this product according to the installation guide.



## Product Diagram

MARGAUX™ WIDESPREAD LAVATORY FAUCET

Page 2 of 2  
1054191-4-A

THE BOLD LOOK  
OF **KOHLER**®