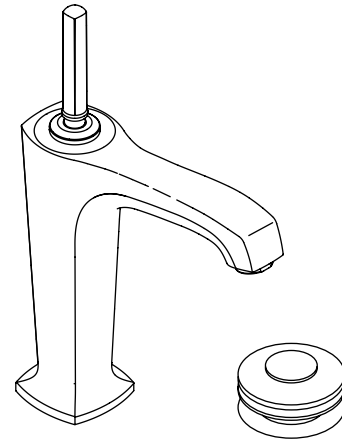


**LAVATORY FAUCET
K-16231**

ADA

Features

- Brass construction
- One-piece, self-contained ceramic disc joystick valve actuation allows both volume and temperature control
- Single-hole mounting
- 2.2 gpm (8.3 lpm) flow rate
- Lower flow aerator options are available (refer to the Kohler Price Book)
- Flexible connections for easy installation
- Single-control
- Lever handle
- 6-3/8" (16.2 cm) spout length
- Touch activated drain with tailpiece



Codes/Standards Applicable

Specified model meets or exceeds the following:

- ADA
- ASME A112.18.1/CSA B125.1
- NSF 61
- Energy Policy Act of 1992 (EPACT)
- IAPMO/cUPC

Colors/Finishes

- CP: Polished Chrome
- Other: Refer to Price Book for additional colors/finishes

Specified Model

Model	Description	Colors/Finishes	
K-16231-4	Lavatory faucet	<input type="checkbox"/> CP	<input type="checkbox"/> Other_____

Product Specification

Single-control lavatory faucet shall be of brass construction. Faucet shall feature a one-piece, self-contained ceramic disc joystick valve actuation allows both volume and temperature control. Faucet shall feature single-hole mounting installation and flow rate of 2.2 gallons (8.3 liters) per minute. Faucet shall be available with lower flow aerator options (refer to the Kohler Price Book). Faucet shall include flexible connections for easy installation, lever handle, 6-3/8" (16.2 cm) spout length, and touch activated drain with tailpiece. Lavatory faucet shall be Kohler Model K-16231-4-_____.

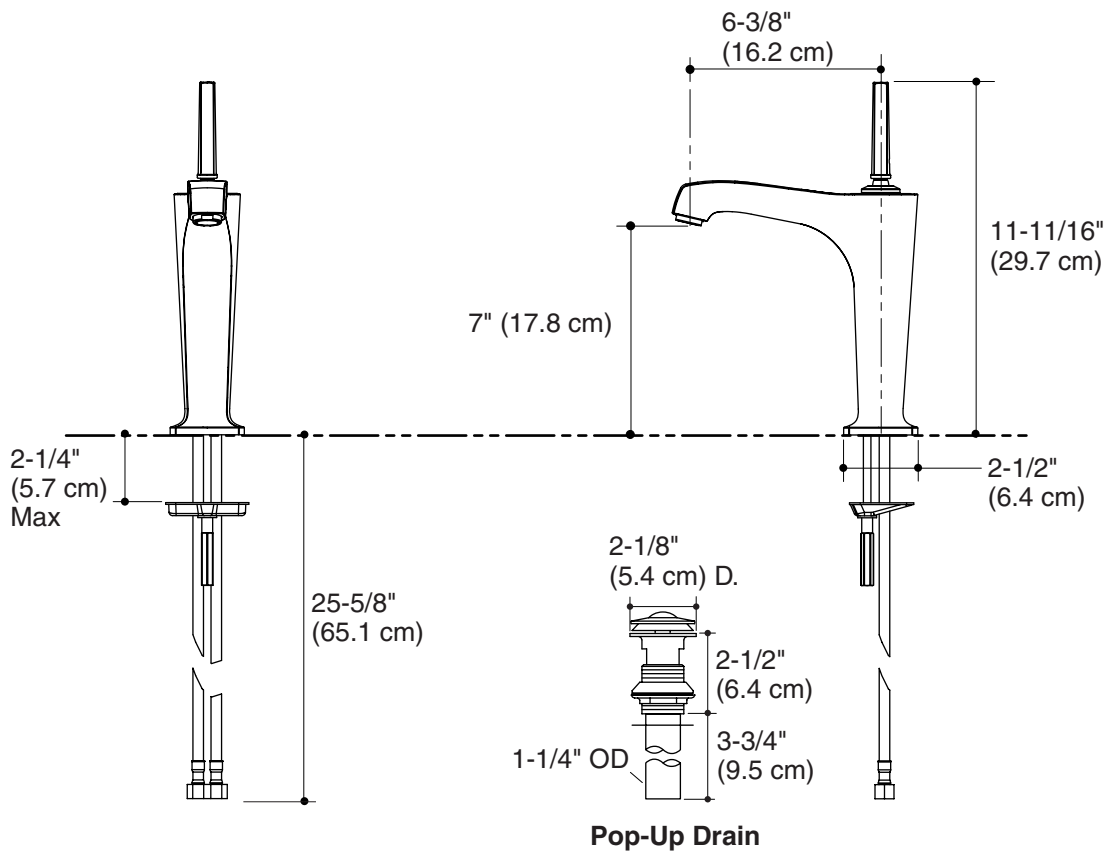
MARGAUX™

Technical Information

Included component:	
Pop-up drain with 1-1/4" OD tailpiece	88881

Installation Notes

Install this product according to the installation guide.



Product Diagram