

Features

- Metal construction overflow cover and stopper
- Toe-activated closing
- No internal linkages to reduce clogging
- Swivel-ball joint construction
- Above or through-the-floor installation ensures flexibility during installation
- Includes PVC tee and pipe
- Vibrant PVD coating
- Completes the Archer design with coordinating aesthetics

**BATH DRAIN
K-7272**



Codes/Standards Applicable

Specified model meets or exceeds the following:

- ASME A112.18.2/CSA B125.2
- IAPMO/cUPC

Colors/Finishes

- CP: Polished Chrome
- Other: Refer to Price Book for additional colors/finishes

Specified Model

Model	Description	Colors/Finishes	
K-7272	Bath drain – above or through-the-floor installation	<input type="checkbox"/> CP	<input type="checkbox"/> Other_____

Product Specification

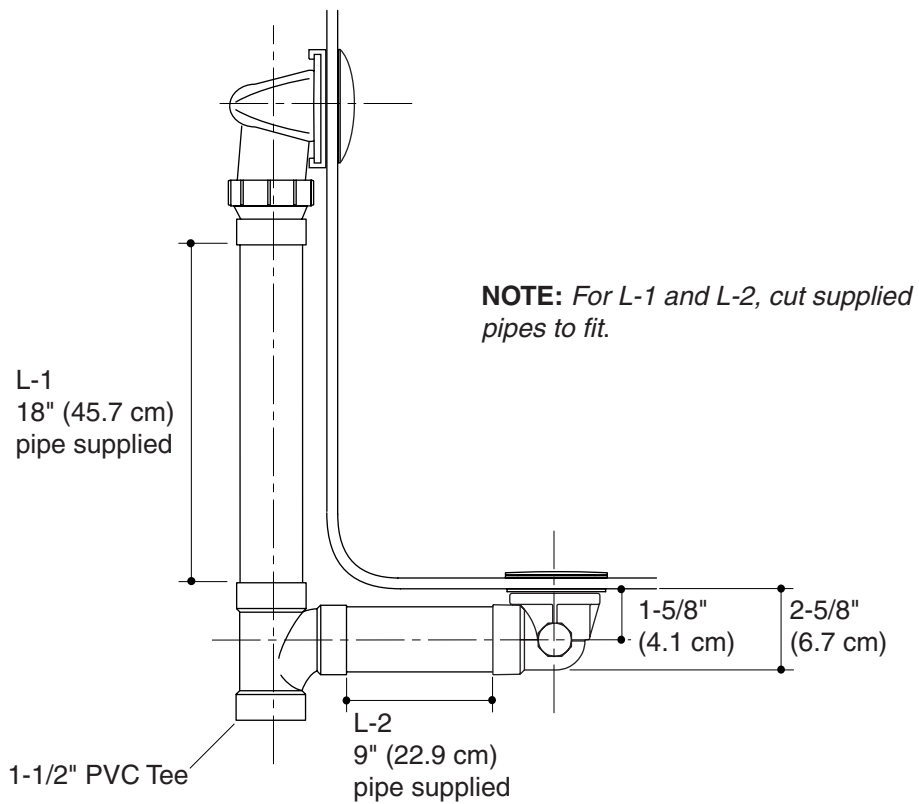
The bath drain overflow cover and stopper shall be of metal construction. Product shall feature toe-activated closing with no internal linkages which reduces clogging. Product shall feature swivel-ball joint construction that allows proper fit and sealing to the bath. Product shall feature a vibrant PVD coating which will prevent the bath drain finish from scratching, tarnishing, or corroding over time, and exceeds industry standards. Product shall include PVC tee and pipe. Product shall be for above or through-the-floor installation which ensures flexibility during installation. Product completes the Archer design with coordinating aesthetics. Bath drain shall be Kohler Model K-7272-_____.

ARCHER™

Installation Notes

Install this product according to the installation guide.

The PVC tubing noted as L-1 and L-2 are supplied and must be cut to the correct length.



Product Diagram